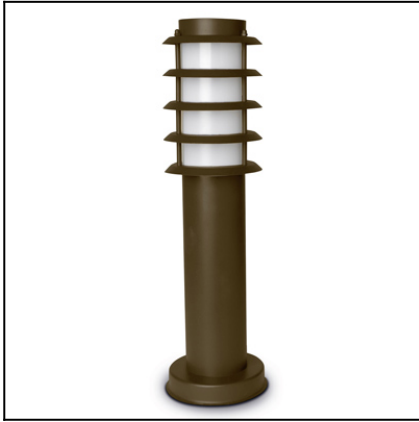


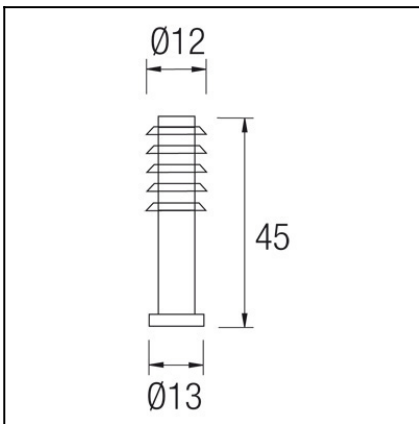
OUT 

ELECTRA

10-9333-J6-M1



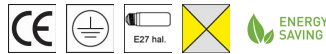
The photograph may not match the reference exactly. Please read the product description to identify the finish.



Download photometric file .ldt /.ies

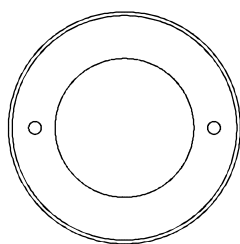
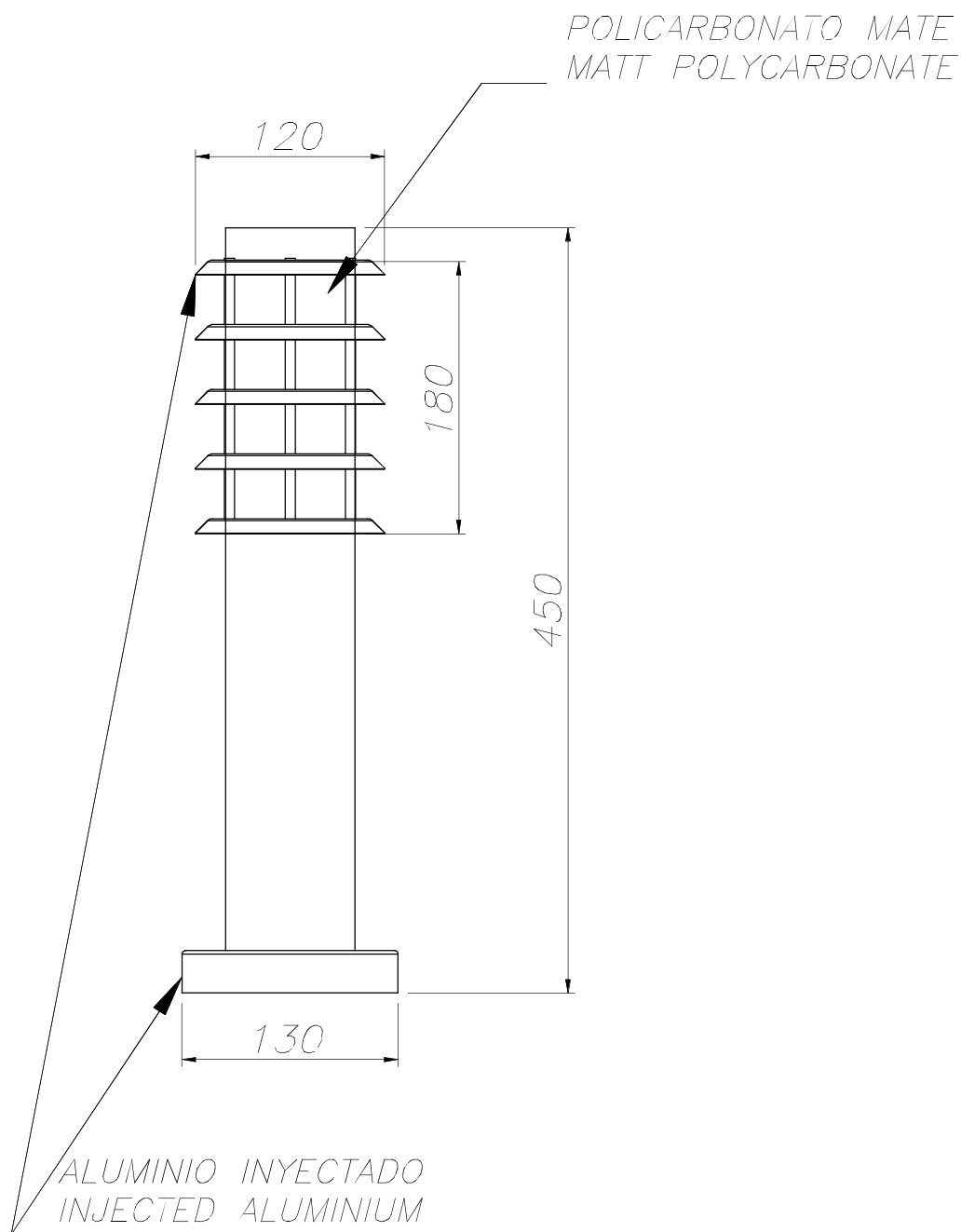
TECHNICAL CHARACTERISTICS

Type:	Beacon
IP Protection degrees:	IP55
Lampholder:	1 x E27
Power (W):	E27 MAX.100
Total power consumption (W):	100
Voltage / Frequency:	220-240V/50-60Hz
Warranty (Years):	2
Units per box:	4
Net Weight (Kg):	0.93
EAN:	8435111066911
Stability:	>15°



MATERIALS / FINISHES

Structure material:	Stainless steel AISI202	Diffuser material:	Polycarbonate
Structure finish:	Brown	Diffuser finish:	Opal

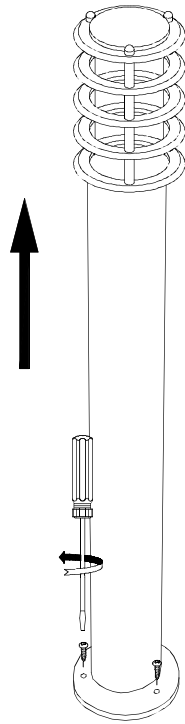




LEDS-C4

OUTD

①



③

