

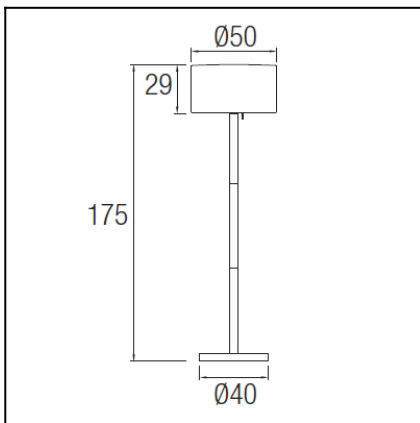
OUT 

SMOOTH

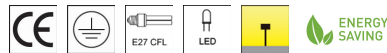
25-9642-14-M1

Design by Francesc Vilaró


The photograph may not match the reference exactly. Please read the product description to identify the finish.


TECHNICAL CHARACTERISTICS

Type:	Floor lamp
IP Protection degrees:	IP44
IK Protection degrees:	IK08
Lampholder:	1 x E27 48 x LED. Led RGB
Power (W):	E27 max.30W 3W
Voltage / Frequency:	220-240V/50-60Hz
Warranty (Years):	2
Option to extend the guarantee:	Yes, 5 years
Units per box:	1
Net Weight (Kg):	9
EAN:	8435381400279
Stability:	>15°


MATERIALS / FINISHES

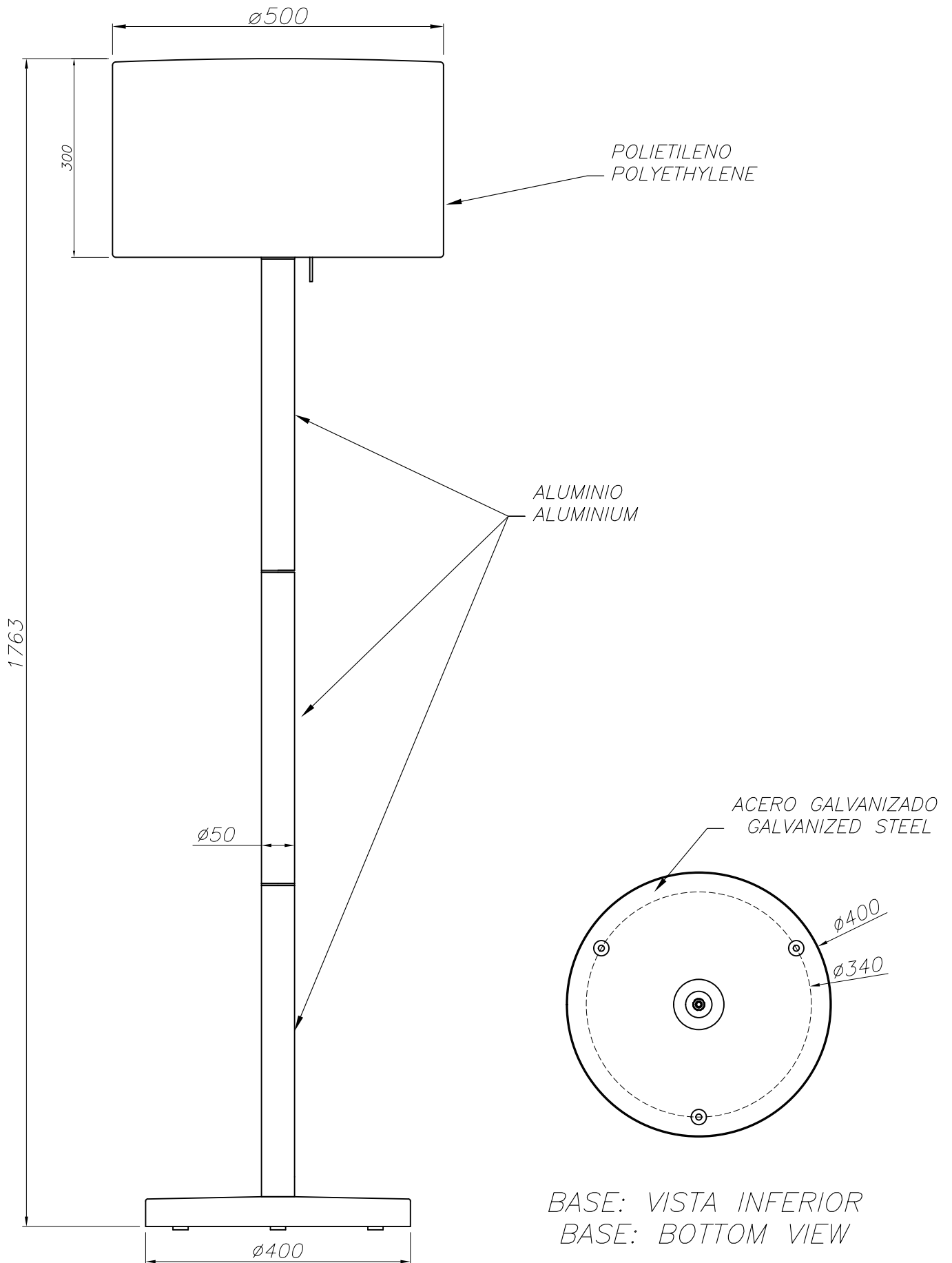
Structure material: Aluminium
Structure finish: White

Diffuser material: Polyethylene
Diffuser finish: White

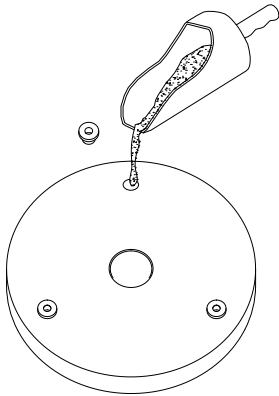
Download photometric file .ldt / .ies

GEAR

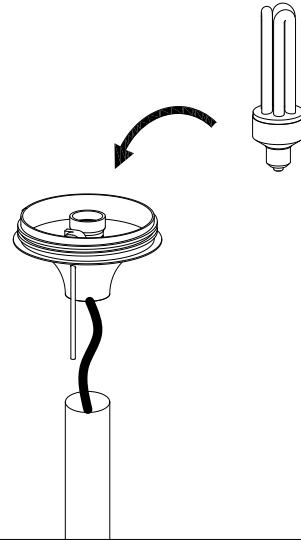
Gear included: Yes, electronic



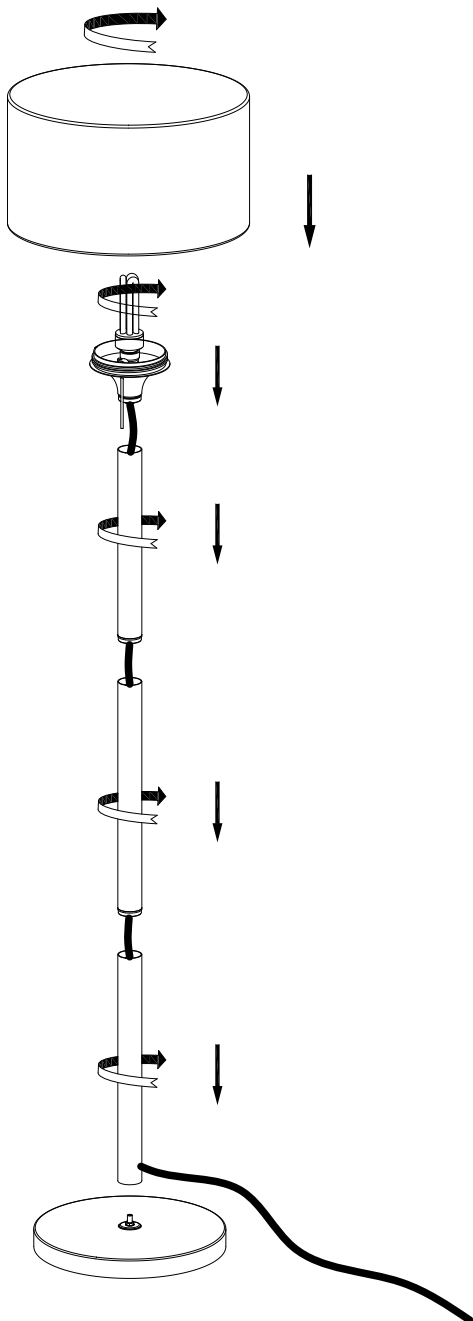
①



②



③



④

