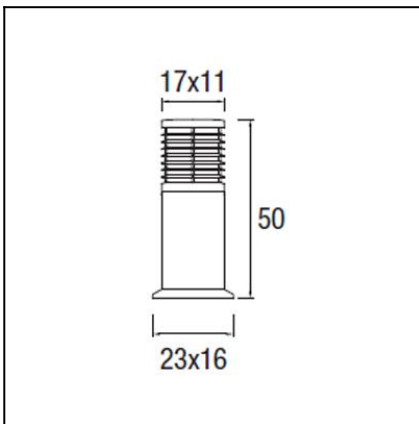


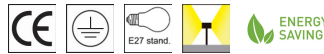


The photograph may not match the reference exactly. Please read the product description to identify the finish.



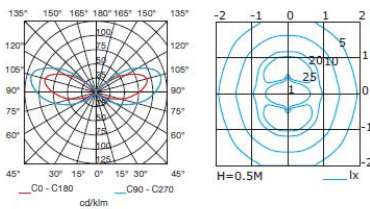
TECHNICAL CHARACTERISTICS

Type:	Beacon
IP Protection degrees:	IP44
IK Protection degrees:	IK08
Lampholder:	1 x E27
Power (W):	E27 MAX 30W
Total power consumption (W):	30
Voltage / Frequency:	230V/50-60Hz
Warranty (Years):	2
Units per box:	4
Net Weight (Kg):	2.15
EAN:	8435111069608



MATERIALS / FINISHES

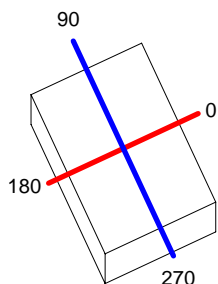
Structure material:	High purity aluminium	Diffuser material:	Methacrylate
Structure finish:	Urban grey	Diffuser finish:	Matt



Download photometric file .ldt / .ies

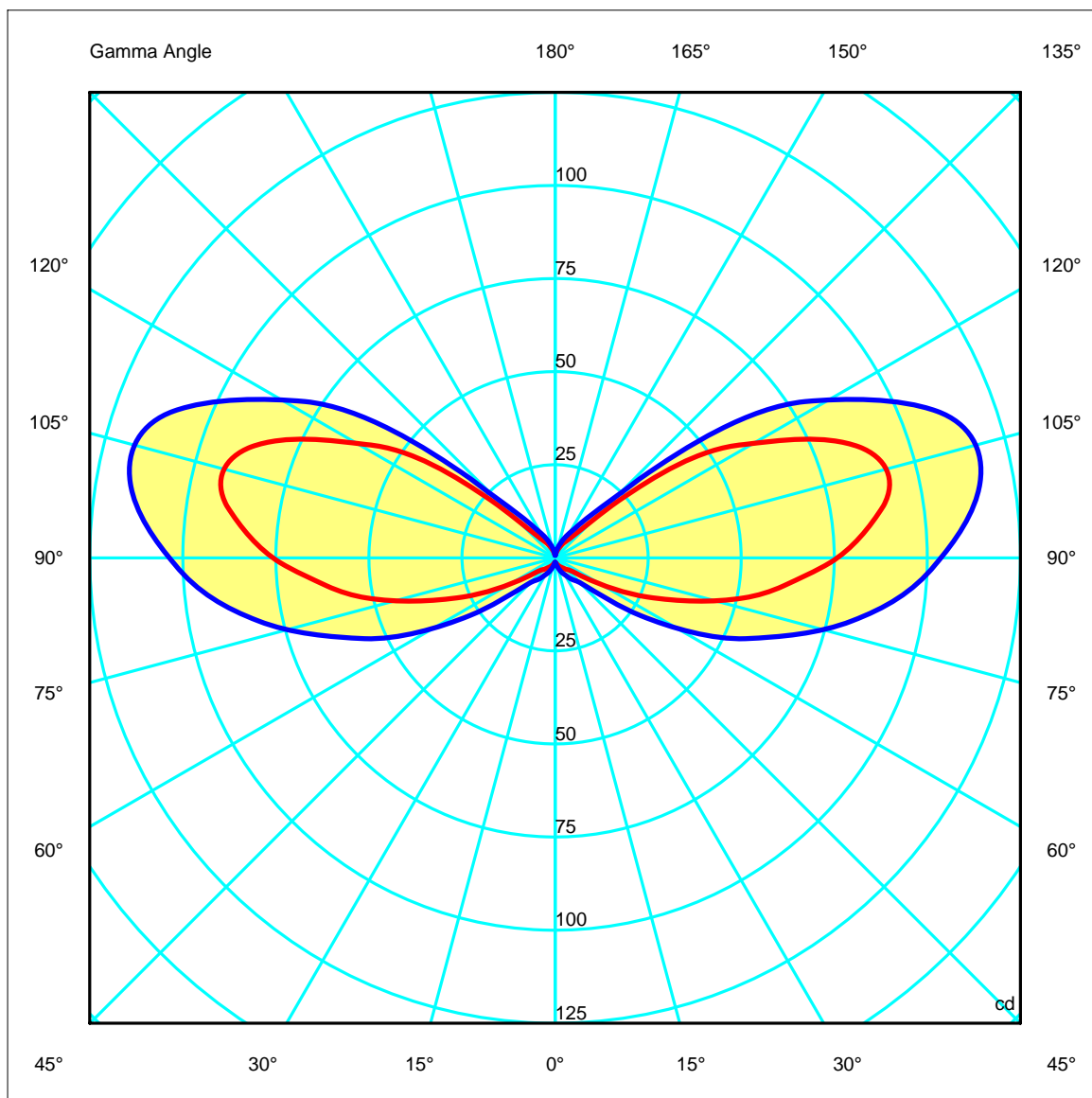
Luminaire		Measurement		Lamp	
Code	55-9357	Code	55-9357	Code	PLEC23
Name	Baliz NOTT 1x23W	Name	Baliza NOTT 1x23W	Number	1
Line	- LEDS-C4	Date	27-12-2010	Position	Universal
Efficiency	40.67%	Coordinate system	C-G	Total Flux	1500.00 lm
Maximum value	120.63 cd	Position	C=75.00 G=105.00	Double Symmetrical	

230mm x 160mm

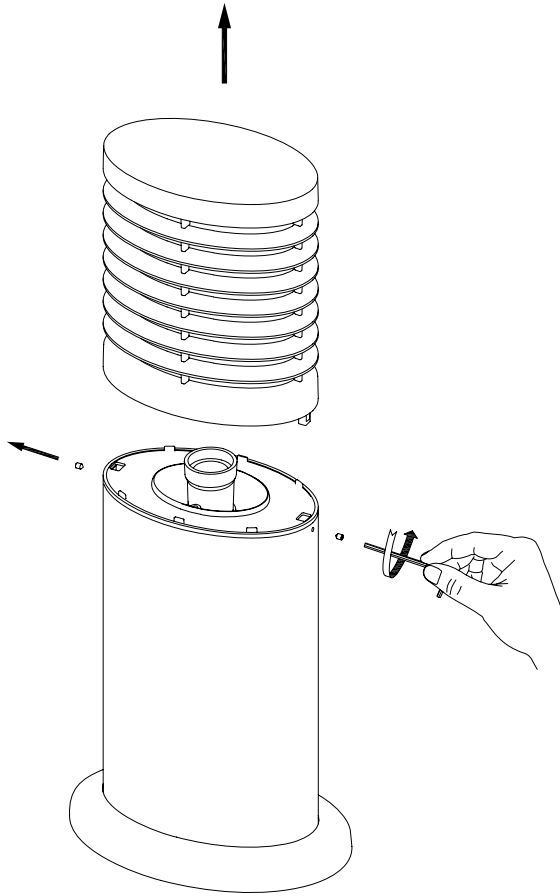


C Halfplanes

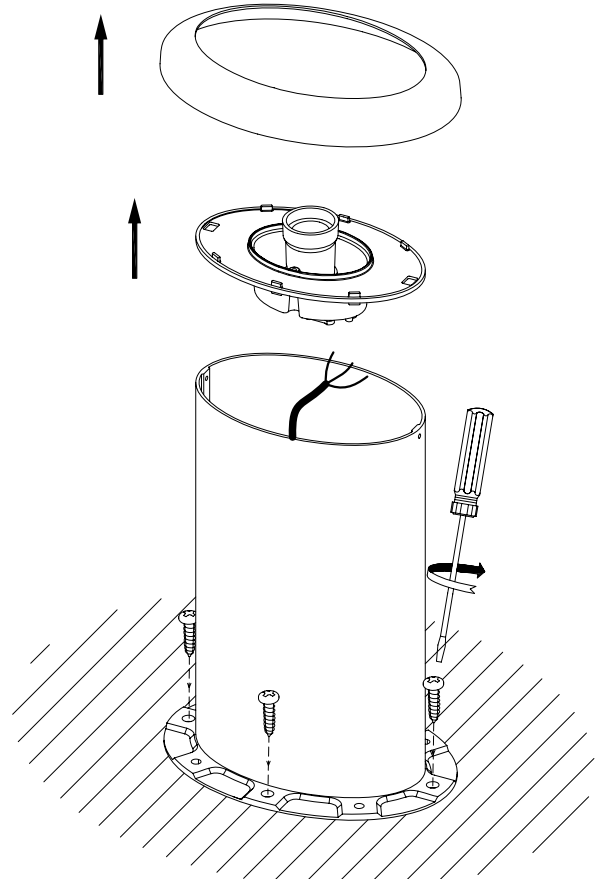
180.0 ——— 0.0
 270.0 ——— 90.0



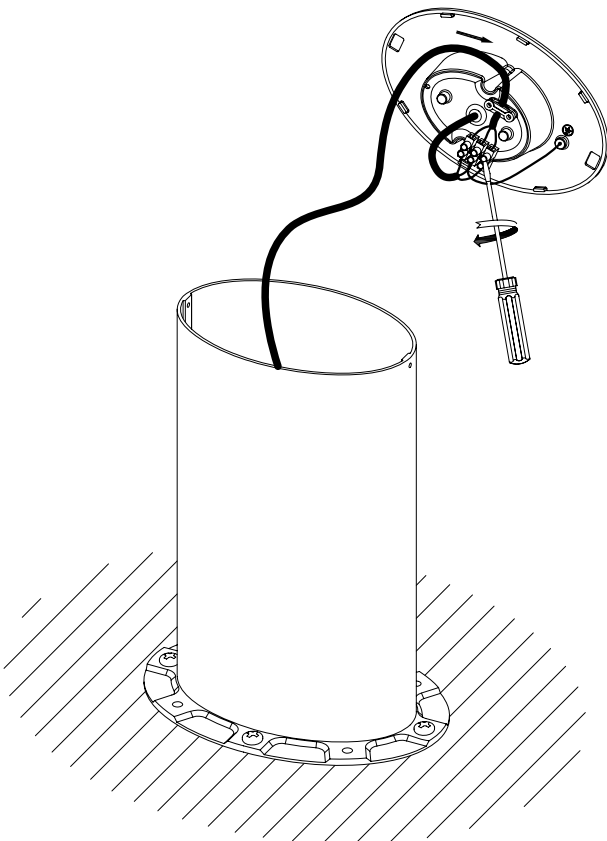
①



②



③



④

