



COLUMNNA

DESIGN: HUGO DE RUITER, 2015



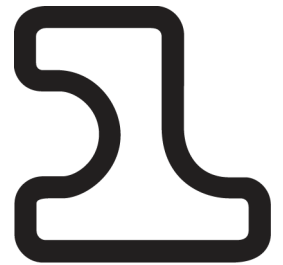
Columnna

A leg and a table leaf connected by a straight column: Columnna is that pure. The only frivolity that Hugo de Ruiter allowed himself is the way in which the column connects to the foot, like a marble column from antiquity.

Columnna from Leolux is above all a completely practical table. Round, so it offers space for the maximum number of guests but without bothersome table legs. Elegant too, with a super-thin table leaf in solid walnut or oak, or lacquered in any conceivable colour. And finally, Columnna is multi-talented thanks to its many manifestations.

Features

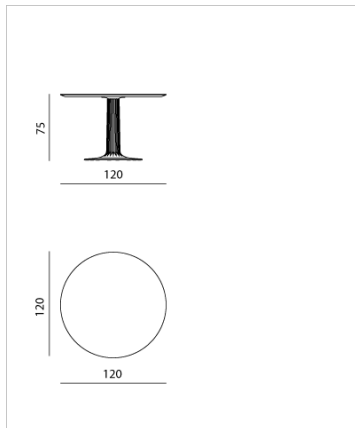
- Round dining room table in oak (oil or stain) or lacquer (all Leolux colours).
- Foot and column finished as standard in a limited number of epoxy colours. Any colour in Cristallo or Spruzza available as optional extra.



COLUMNNA

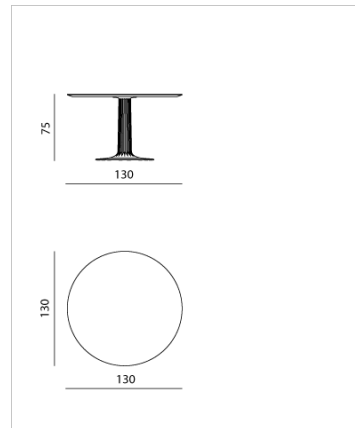
DESIGN: HUGO DE RUITER, 2015

Columnna - dining-room table \varnothing 120 cm



Dimensions (cm)
Width: 120
Length: 120
Height: 75

Columnna - dining-room table \varnothing 130 cm



Dimensions (cm)
Width: 130
Length: 130
Height: 75



COLUMNNA

DESIGN: HUGO DE RUITER, 2015

Leaf

Solid oak, solid walnut or lacquered (blank MDF)

“Oak” finish

Standard: oiled (natural), option: Oil Pale White or (extra charge) all Leolux oak stain colours

“Walnut” finish

Standard: oiled (natural), option (extra charge): all Leolux walnut stain colours

“Lacquer” finish

All Leolux lacquer colours, RAL&Sikkens

Column/foot

Standard: Brushed aluminium, finish epoxy (Colours E200, E1200, E1500, E1600, E1700, E1800, E1900, E2000, E2100 only), option (extra charge): all Leolux Cristallo+Spruzza colours, RAL&Sikkens (only in Spruzza structure)

Foot caps

Black plastic

Design

Hugo de Ruiter, 2015
