

Levante

design Enzo Berti

Description

Technology and design melt to give birth to an innovative project, like table “Levante”. Through small and simple moves, “Levante” transforms itself from elegant coffee table, into an actual dining table. Thanks to an electro-mechanic system, it is possible to reach a large surface in a few seconds.

Technical Details

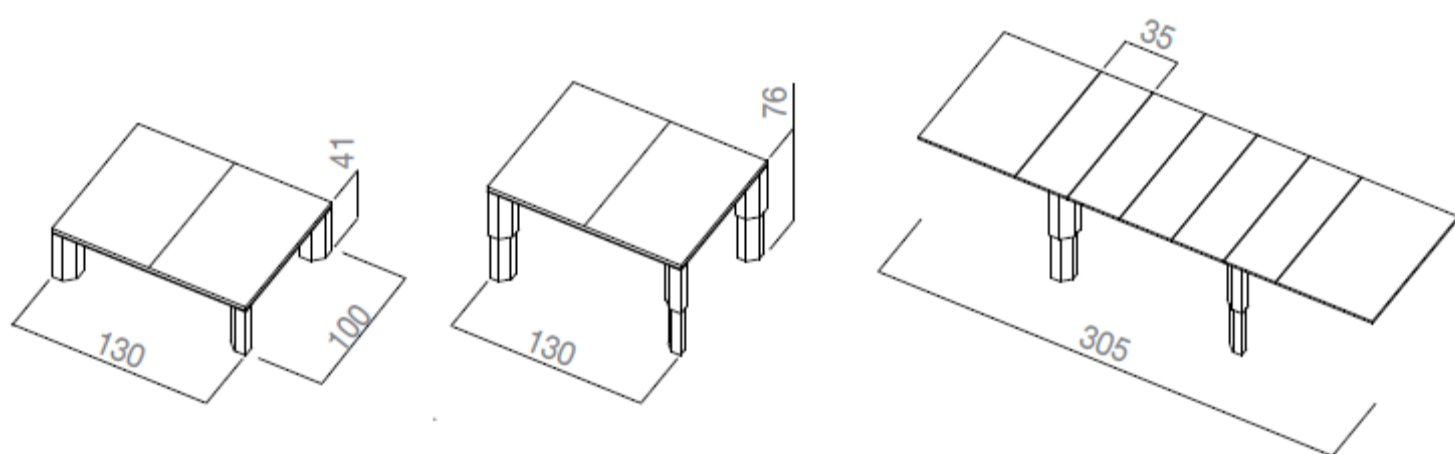
Rectangular table with variable height and length, with synchronized opening aluminum runners.

Dimensions (LxPxH)

- Closed 130x100x41 cm
- Open 305x100x76 cm
- n° 05 internal leaves 35 cm each

Finishings

Cod 01; Cod 02; Cod 03; Cod 04; Cod 05; Cod 06; Cod 07; Cod 08; Cod 09





Cod. 01 - Frassino o Rovere
Cod. 01 - Ash or Oak



Cod. 05 - Frassino o Rovere
Cod. 05 - Ash or Oak



Cod. 09 - Bianco
Cod. 09 - White



Cod. 02 - Frassino sbiancato
Cod. 02 - Light Ash



Cod. 06 - Rovere sbiancato
Cod. 06 - Light Oak



Cod. 10 - Ciliegio
Cod. 10 - Cherry



Cod. 13 - Faggio
Cod. 13 - Beech



Cod. 03 - Frassino o Rovere
Cod. 03 - Ash or Oak



Cod. 07 - Rovere naturale
Cod. 07 - Natural Oak



Cod. 11 - Ciliegio
Cod. 11 - Cherry



Cod. 14 - Faggio
Cod. 14 - Beech



Cod. 04 - Frassino o Rovere
Cod. 04 - Ash or Oak



Cod. 08 - Frassino o Rovere
Cod. 08 - Ash or Oak



Cod. 12 - Ciliegio
Cod. 12 - Cherry



Cod. 15 - Faggio
Cod. 15 - Beech

I colori del campionario sono puramente indicativi e sono possibili differenze di tonalità tra una partita di produzione e l'altra. Il legno è un prodotto naturale: baffi, nodi, variazioni di colore e di poro sono le esclusive prove della sua naturale bellezza.

All sample colours are merely indicative and there may be differences in shade between one production lot and the another. Wood is a natural product: Any patches, knots, porous and shade variations are an exclusive proof of its natural beauty.