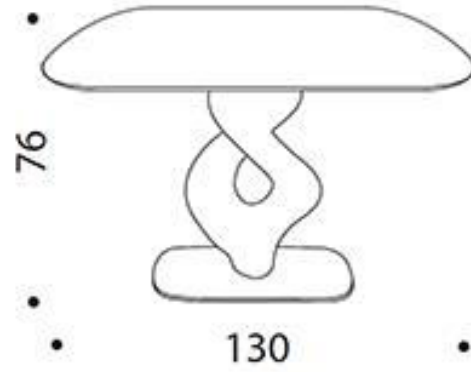
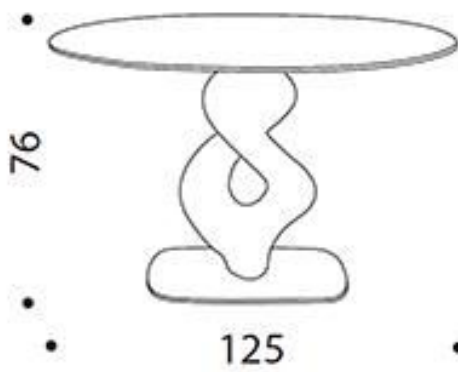


LIQUID - Modern table

design: Giulio Manzoni

DINING TABLE, METAL AND LACQUERED PUR STRUCTURE, GLASS TABLE

6 POSTI / 6 SEATS



PIANO / TOP
CRISTALLO / GLASS

CR14

STRUTTURA /
STRUCTURE

LACCATO / LACQUERED

X01

X02

X03

X04

X05

X06

X07

X10

X11

X12