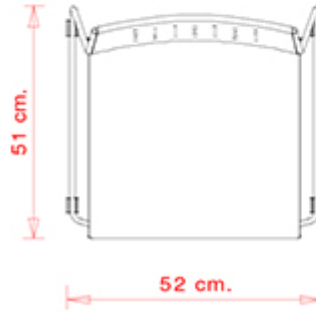
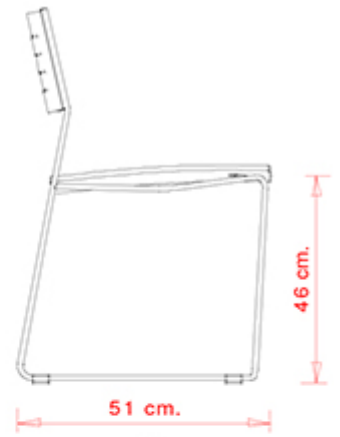
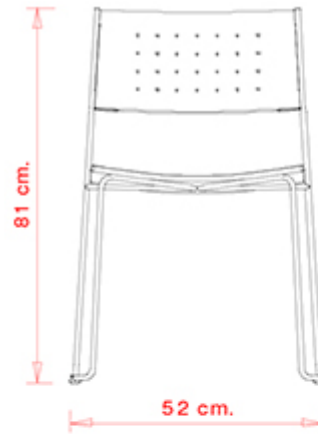


Duo 140

DUO COLLECTION:
Duo 140, Duo 140G,



Chair with sled steel frame, beech wood and/or upholstered seat and back.

STACKABLE

4

WEIGHT

6,6 kg

PACK

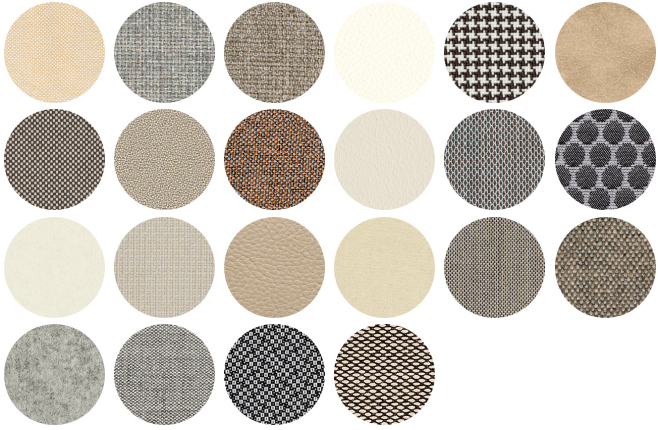
0,33 m³

PIECES PER BOX

4

FINISHES SEATING

TE FABRICS

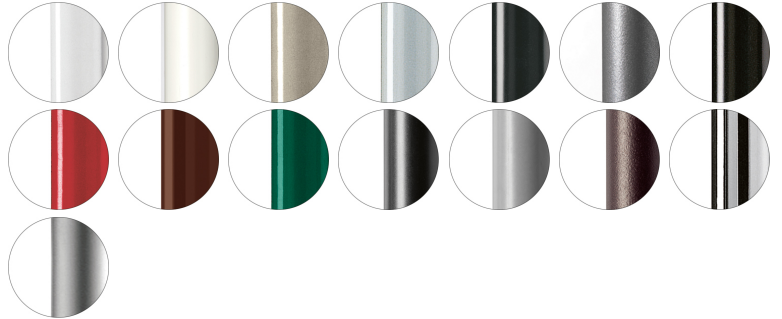


LE WOOD



FRAMES

AC STEEL

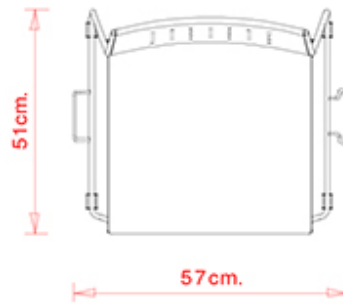
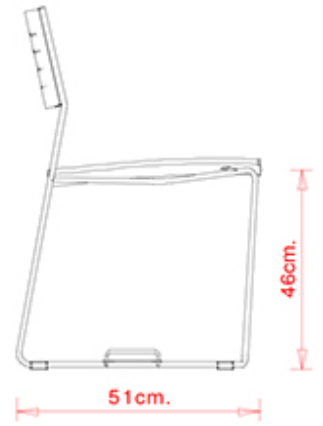
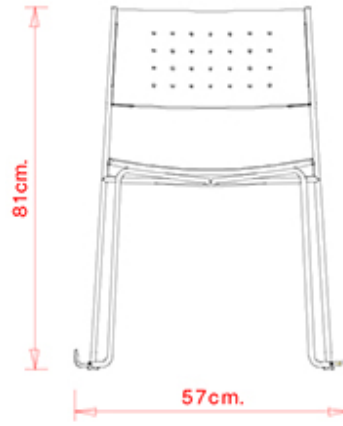
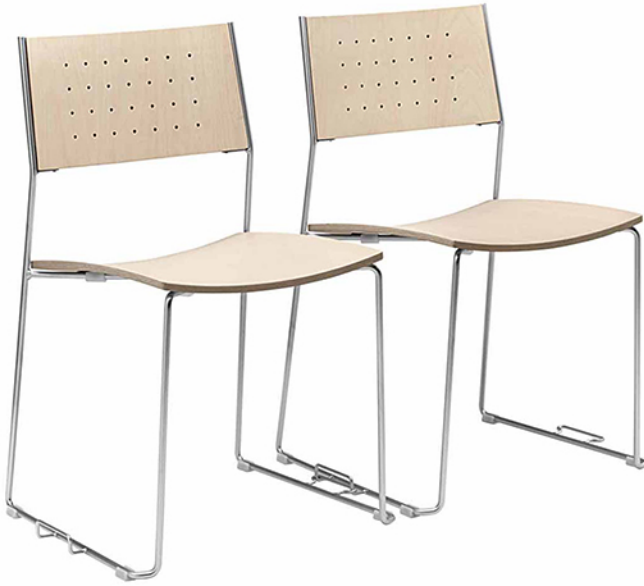


USES

educational, office and waiting areas,

Duo 140G

DUO COLLECTION:
Duo 140, Duo 140G,



Chair with sled steel frame with linking device, beech wood and/or upholstered seat and back.

STACKABLE

4

WEIGHT

6,7 kg

PACK

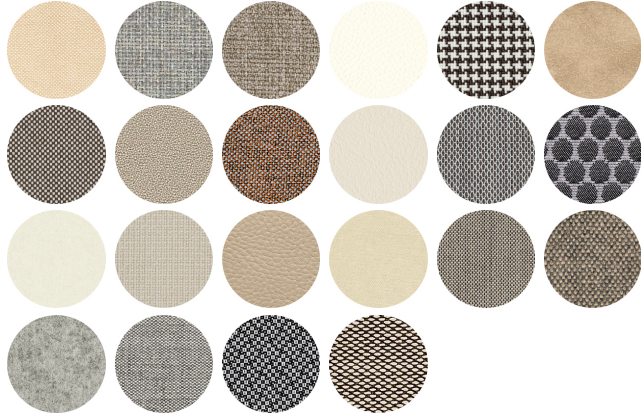
0,33 m³

PIECES PER BOX

4

FINISHES SEATING

TE FABRICS

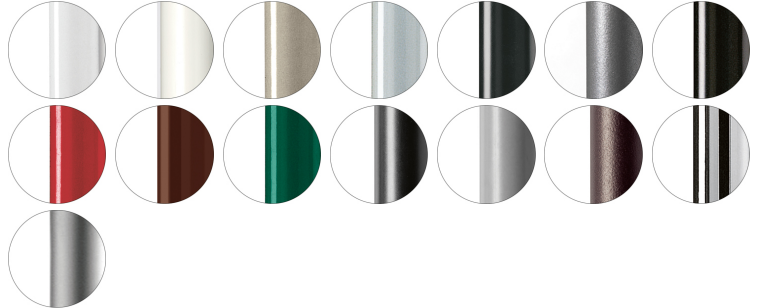


LE WOOD



FRAMES

AC STEEL



LINKING DEVICE

USES

educational, office and waiting areas,

Duo

[Franco Bertoli & Max Pajetta](#)

metalmobil