



Net Ø250

Josep Patsi

Pendant Net Ø250 LED 19 LED warm-white 3000K ON-OFF White 878lm

Technical features

- Luminaire total power: 19W
- Real lumens: 878
- Real lm/W: 46
- Correlated Colour Temperature (CCT): LED warm-white 3000K
- Lens / reflector angle: HORIZONTAL 112°
- Structure material: Aluminium
- Structure finish: White
- Diffuser material: Plastic
- Diffuser finish: Opal
- Voltage / frequency: 100-240V/50-60Hz
- Dimming protocol: ON-OFF
- Power Factor: 0.50
- Useful life: 50,000h L80B20
- Warranty: 5 años



Luminotechnic features

- CRI: 80
- MacAdam steps: 5
- Photobiological risk: RGO

Lampholder	Quantity	Light source power (W)
LED	1	15W

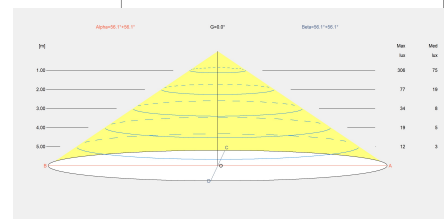
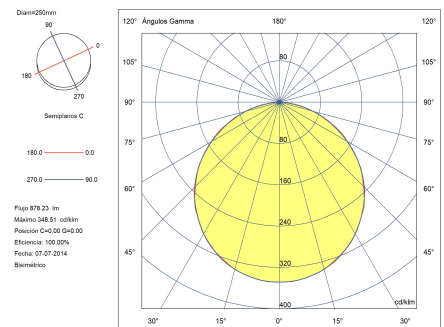
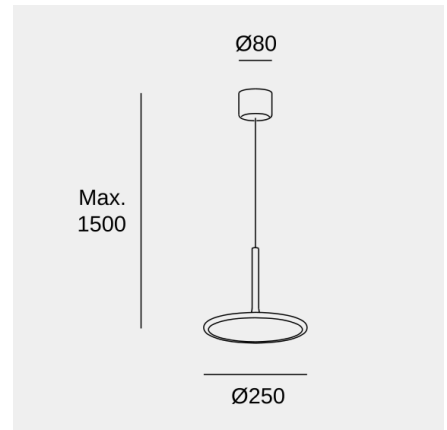


Image may not match reference. LedsC4 reserves the right to amend any of the product's components. The data related to flux, power and colour temperature may be subject to changes made by the manufacturer.



Net Ø250

Josep Patsi

Pendant Net Ø250 LED 19 LED warm-white 3000K ON-OFF White 878lm

Logistics



x 1

Net weight (kg): 1.16

Packaged weight (kg): 1.7

Packaging: 315mm x 315mm x 260mm

Light application



Image may not match reference. LedsC4 reserves the right to amend any of the product's components. The data related to flux, power and colour temperature may be subject to changes made by the manufacturer.