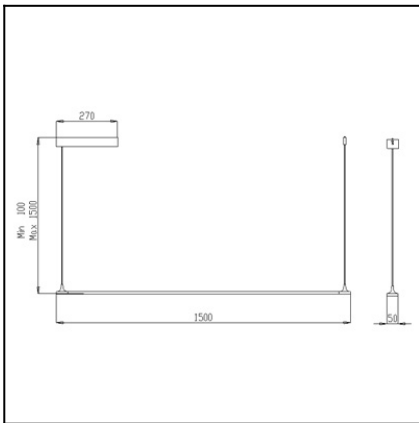


**Design by Nahtrang Design**

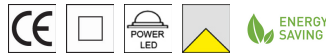

The photograph may not match the reference exactly. Please read the product description to identify the finish.



Download photometric file .ldt / .ies

**TECHNICAL CHARACTERISTICS**

|                                 |                              |
|---------------------------------|------------------------------|
| Type:                           | Pendant                      |
| IP Protection degrees:          | IP20                         |
| Bulb:                           | 18 x LED. Warm White - 3000K |
| Power (W):                      | 18                           |
| Total power consumption (W):    | 24.3                         |
| Luminous efficacy (Lm/W):       | 100                          |
| CRI:                            | 80                           |
| Voltage / Frequency:            | 100-240V/50-60Hz             |
| Warranty (Years):               | 2                            |
| Option to extend the guarantee: | Yes, 5 years                 |
| Units per box:                  | 8                            |
| Net Weight (Kg):                | 1.42                         |
| EAN:                            | 8435111091418,00             |


**MATERIALS / FINISHES**

**Structure material:** Aluminium  
Zamak

**Structure finish:** Ecobright

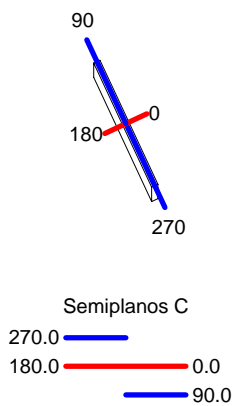
**GEAR**

Gear included: Yes, electronic  
Dimming protocol: 1-10V/Push

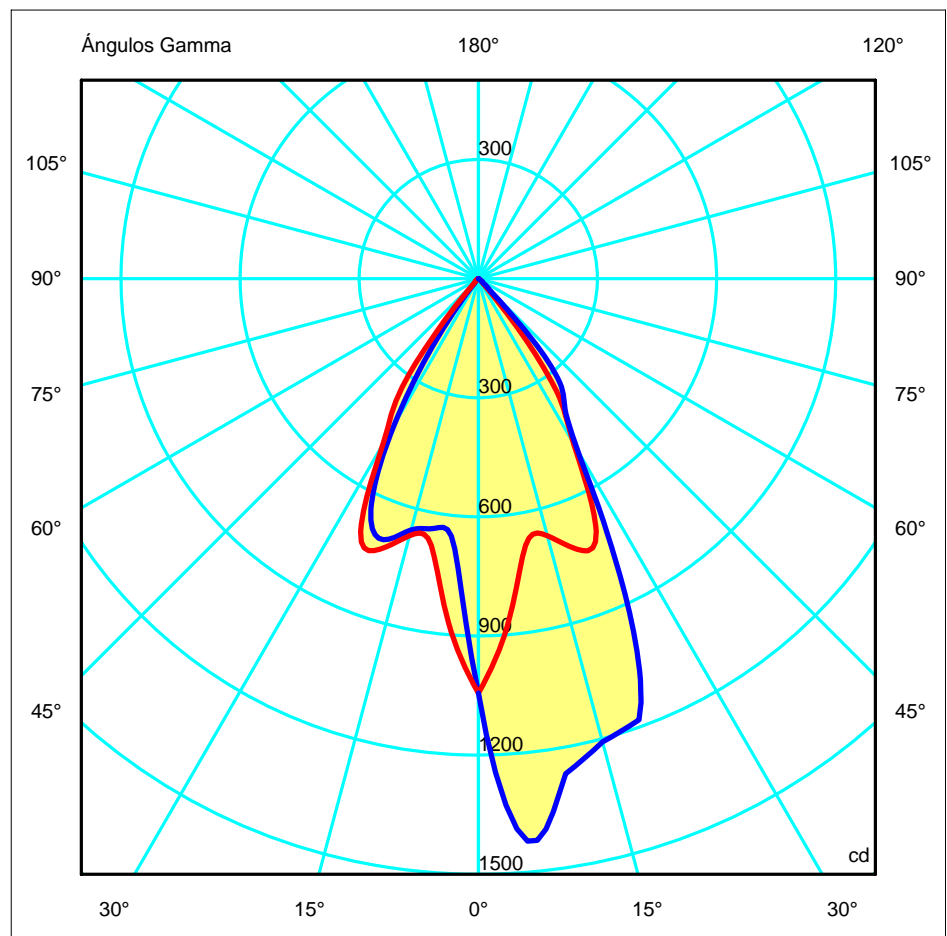
| Luminaria                  |                           | Ensayo            |                               | Lámpara                   |             |       |
|----------------------------|---------------------------|-------------------|-------------------------------|---------------------------|-------------|-------|
| Código                     | 00-0049                   | Código            | 00-0049                       | Código                    | 00-0049     |       |
| Nombre                     | Luminaria 18 leds         | Nombre            | Luminaria 18 leds             | Número                    | 1           |       |
| Familia                    | - LEDS C4 LEDS            | Fecha             | 16-10-2012                    | Posición                  | Universal   |       |
| Rendimiento                | 100.00%                   | Sist. de Coorden. | C-G                           | Flujo Total               | 793.63 lm   |       |
| Valor Máximo               | 1421.84 cd                | Posición          | C=90.00 G=5.00                | Sim. en los planos 270-90 |             |       |
| Luminaria Rectangular      | Longit.                   | 1000 mm           | Anchura                       | 50 mm                     | Altura      | 12 mm |
| Área Luminosa Rectangular  | Longit.                   | 805 mm            | Anchura                       | 10 mm                     | Altura      | 0 mm  |
| Área Luminosa Horizontal   | 0.008050 m2               |                   | Área Emisión sobre Pl. 180°   |                           | 0.000000 m2 |       |
| Área Emisión sobre Pl. 0°  | 0.000000 m2               |                   | Área Emisión sobre Pl. 270°   |                           | 0.000000 m2 |       |
| Área Emisión sobre Pl. 90° | 0.000000 m2               |                   | Área de deslumbramiento a 76° |                           | 0.001947 m2 |       |
| Tipo de Simetría           | Sim. en los planos 270-90 |                   | Máximo Ángulo Gamma           |                           | 90          |       |
| Distancia de Ensayo        | 6.44                      |                   | Flujo de Ensayo               |                           | 793.63 lm   |       |
| Operador                   | Asselum T2                |                   | Tensión de alimentación       |                           | 230.00 V    |       |
| Temperatura                | 20.00 °C                  |                   | Corriente de alimentación     |                           | PRC         |       |
| Humedad                    | 52.00 %                   |                   | Fotocélula                    |                           |             |       |
| Notas                      |                           |                   |                               |                           |             |       |

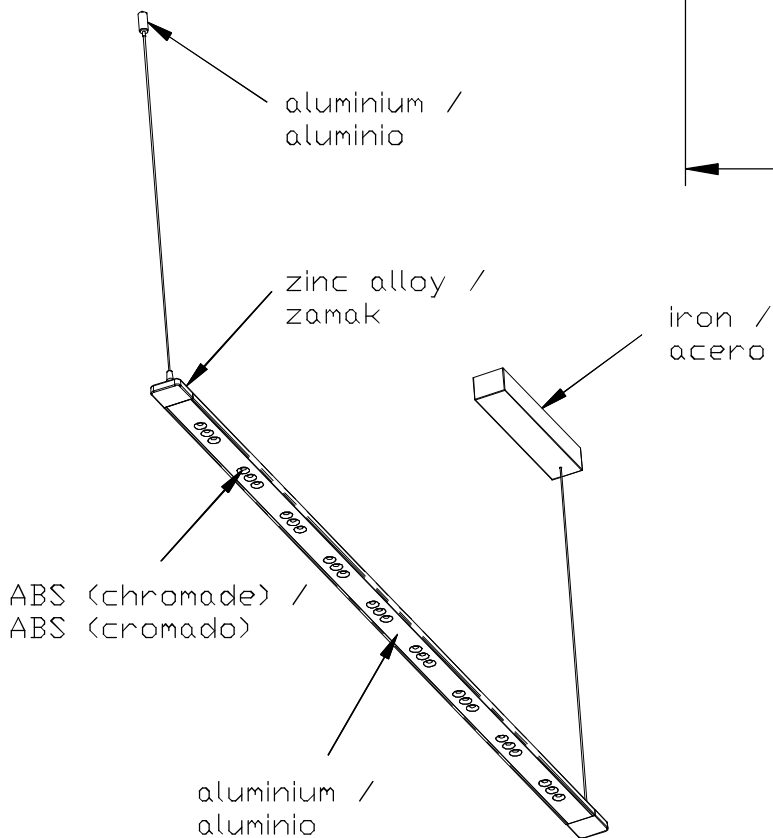
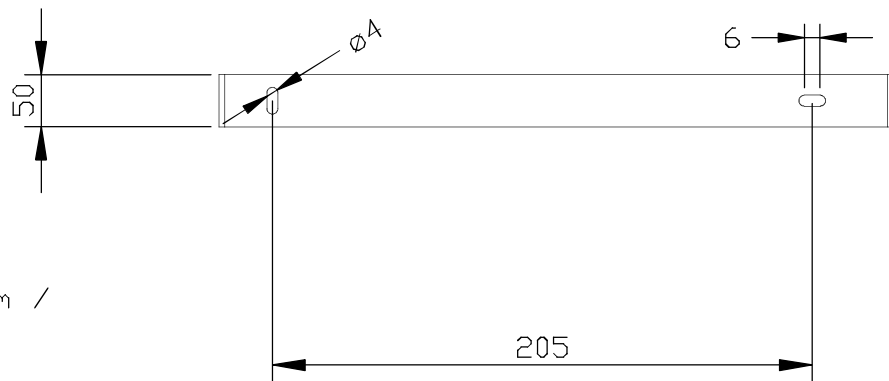
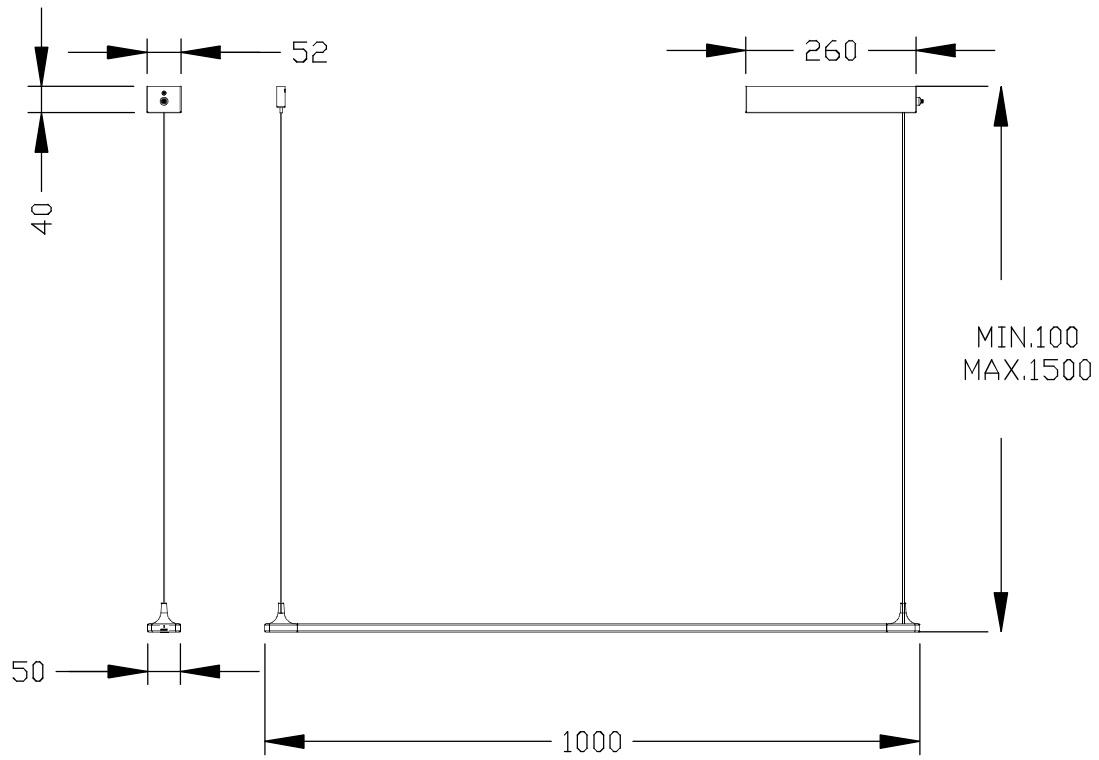
| Lámparas de la Luminaria |                    |         |                        |          |       |       |
|--------------------------|--------------------|---------|------------------------|----------|-------|-------|
| Familia                  |                    | Código  | Nombre                 | Flujo/lm | Pot.W | Cant. |
| - LEDS C4 LEDS           |                    | 00-0049 | Lampara led blanco 24W | 793.63   | 24.00 | 1     |
| C.I.E.                   | 98 100 100 100 100 |         | D DIN 5040             |          |       |       |
| F UTE                    | --                 |         | B NBN                  |          |       |       |
|                          |                    |         | A60                    |          |       |       |
|                          |                    |         | BZ 1                   |          |       |       |

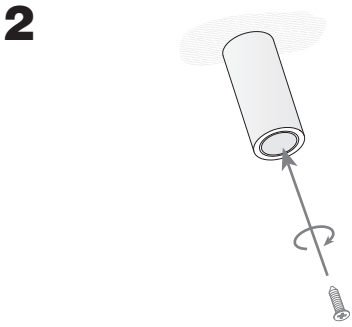
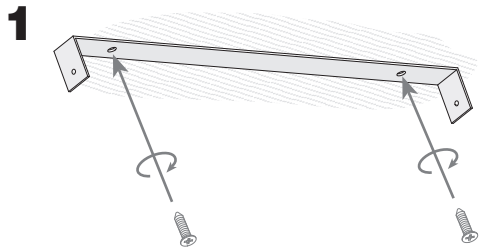
1000mm x 50mm



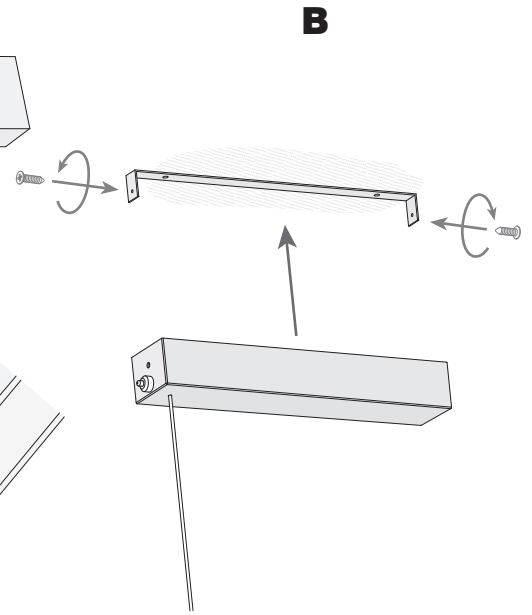
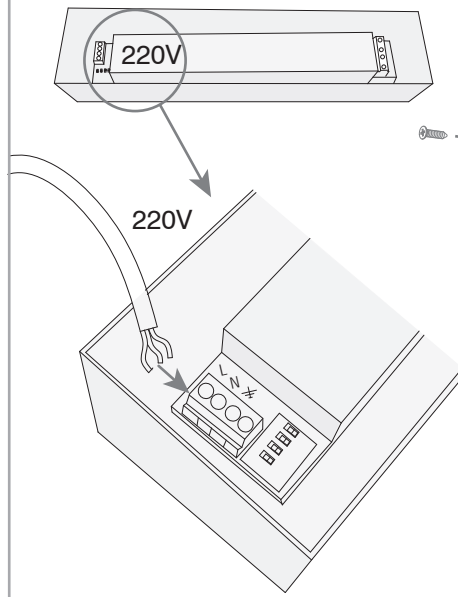
ULOR 0.00 %  
DLOR 100.00 %  
RN 0.00 %







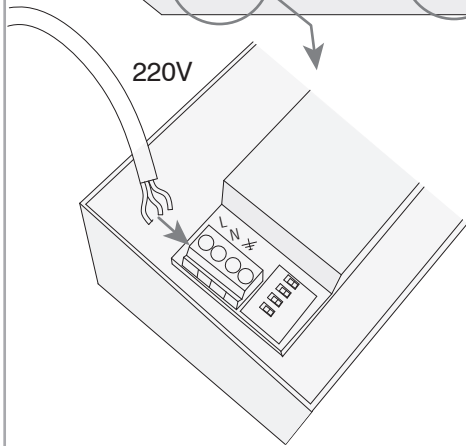
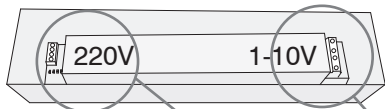
**3.1 ON/OFF**



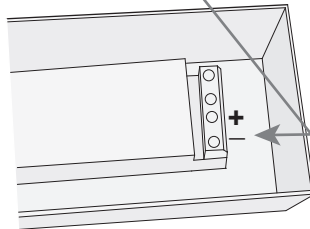
**3.2**

1/10V

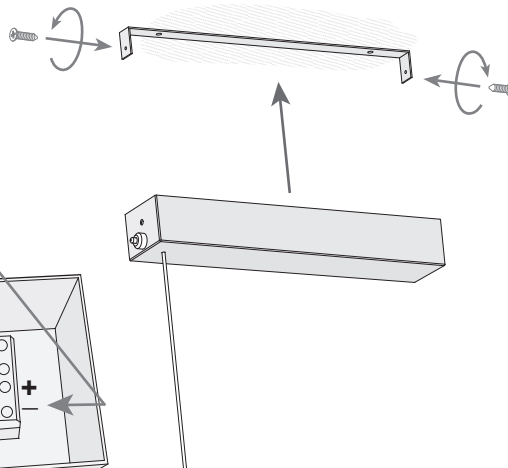
**A**



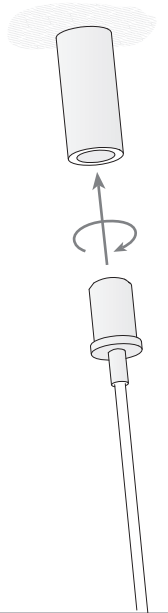
1/10V



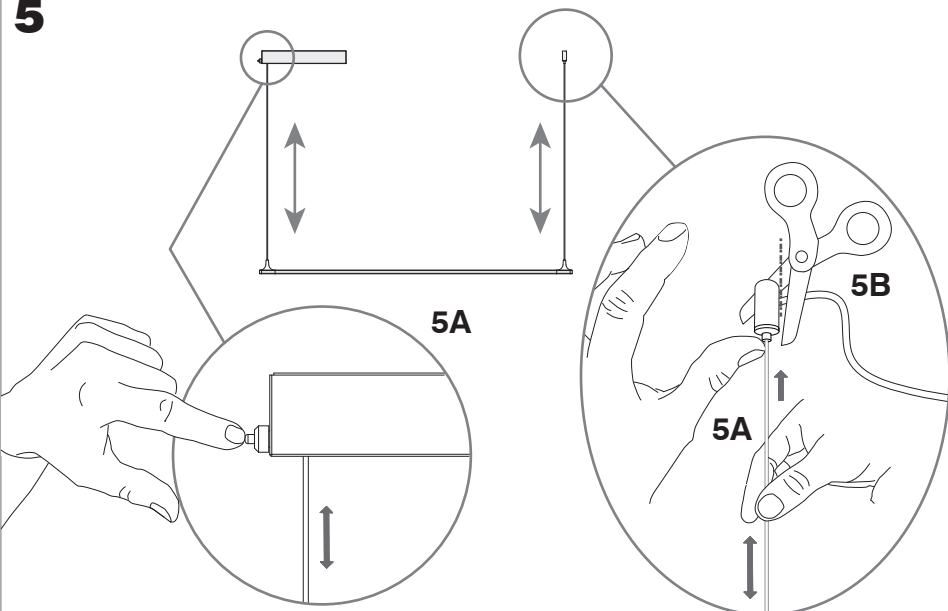
**B**



**4**



**5**



**6**

