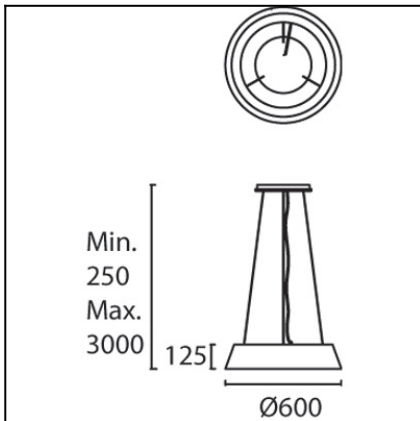


Design by Francesc Vilaró



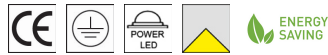
The photograph may not match the reference exactly. Please read the product description to identify the finish.



[Download photometric file .ldt / .ies](#)

TECHNICAL CHARACTERISTICS

Type:	Pendant
IP Protection degrees:	IP20
Bulb:	127 x LED. Warm White - 3000K
Power (W):	26
Luminous efficacy (Lm/W):	43
Voltage / Frequency:	110-240V/50-60Hz
Warranty (Years):	2
Option to extend the guarantee:	Yes, 5 years
Units per box:	1
Net Weight (Kg):	5.11
EAN:	8435381406967,00



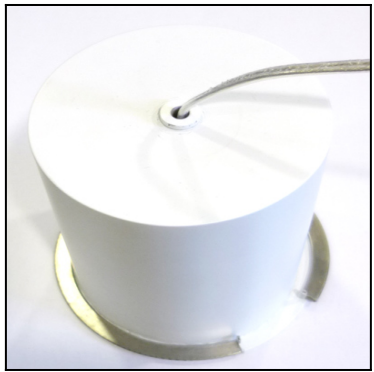
MATERIALS / FINISHES

Structure material:	Steel Polyurethane
Structure finish:	Black Matt white

GEAR

Multi-voltage electronic gear included (110-240 V / 50-60 Hz)

71-0053-BW-BW

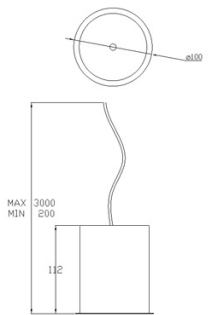


Structure material:

Steel

Structure finish:

Matt white

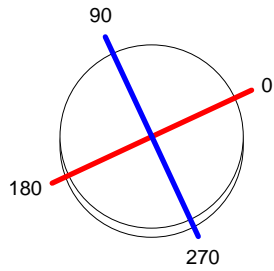


IP20

Luminaire		Measur.		Lamp	
Code	00-0053-05-BW	Code	00-0053-05-BW	Code	00-0053-05-BW
Name	Colgante leds 26W 3000K	Name	Colgante leds 26W 3000K	Number	1
Line	- LEDS C4 LEDS	Date	27-06-2013	Position	Universal
Efficiency	100.00%	Coordinate system	CG	Total Flux	571.94 lm
Maximum value	192.03 cd	Position	C=0.00 G=0.00	Double Symmetrical	
Round Luminaire	Diam.	600 mm	Height	125 mm	
Round Luminous Area	Diam.	585 mm	Height	0 mm	
Horizontal Luminous Area	0.268783 m2	Emitting area on Plane 180°	0.000000 m2		
Emitting area on Plane 0°	0.000000 m2	Emitting area on Plane 270°	0.000000 m2		
Emitting area on Plane 90°	0.000000 m2	Glare area at 76°	0.065024 m2		
Symmetry Type	Double Symmetrical	Maximum Gamma Angle	90		
Measurement Distance	6.44	Measurement Flux	571.94 lm		
Operator	Asselum T2	Source voltage	230.00 V		
Temperature	23.00 °C	Source current			
Humidity	55.00 %	Photocell	PRC		
Notes					

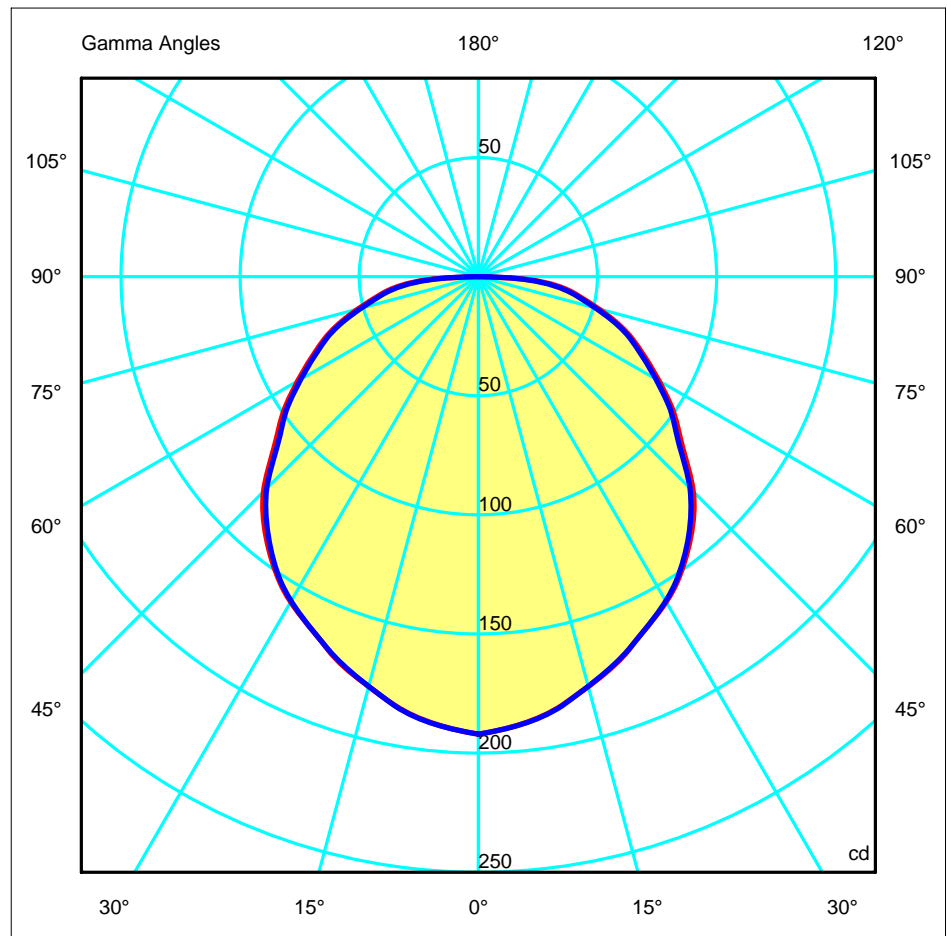
Luminaire Lamps						
Line	Code	Name	Flux [lm]	Pow. [W]	Q.ty	
- LEDS C4 LEDS	00-0053-05-BW	Lámpara leds 26W 3000K	571.94	26.00	1	
C.I.E.	44 73 92 100 100	D DIN 5040		A30		
F UTE	1.00 G	B NBN		BZ 5		

Diam=600mm



C Halfplanes
 180.0 — 0.0
 270.0 — 90.0

ULOR 0.00 %
 DLOR 100.00 %
 RN 0.00 %

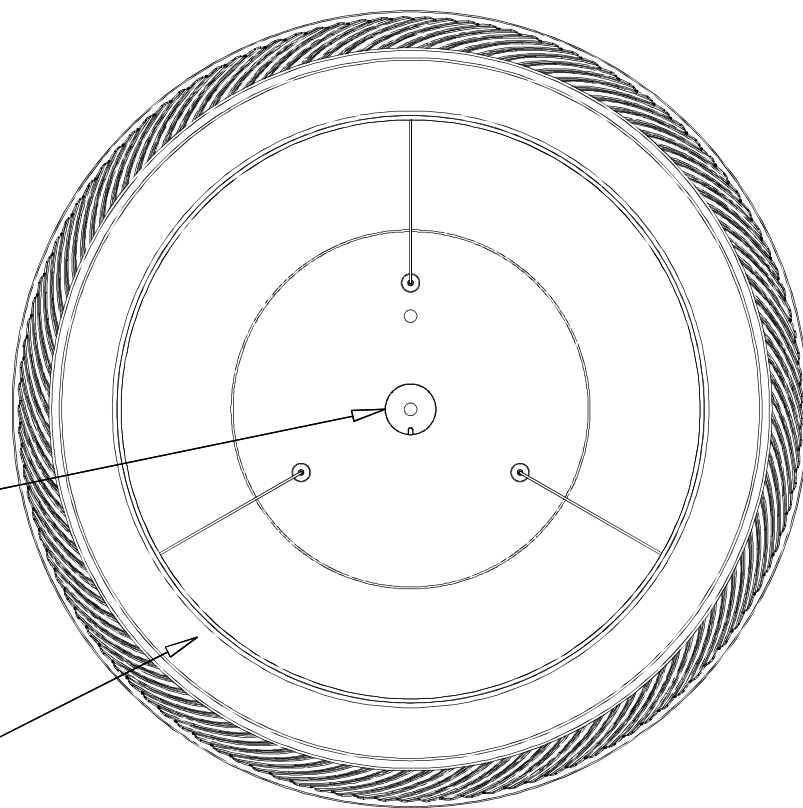


BRASS MATT WHITE /
LATÓN BLANCO MATE

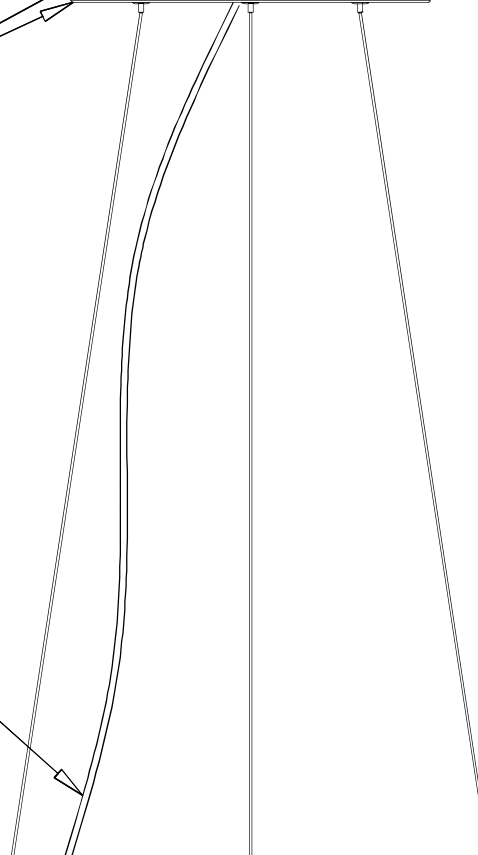
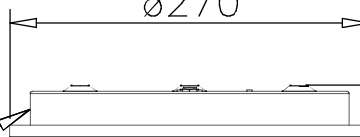
IRON MATT BLACK /
ACERO NEGRO MATE

IRON MATT WHITE /
ACERO BLANCO MATE

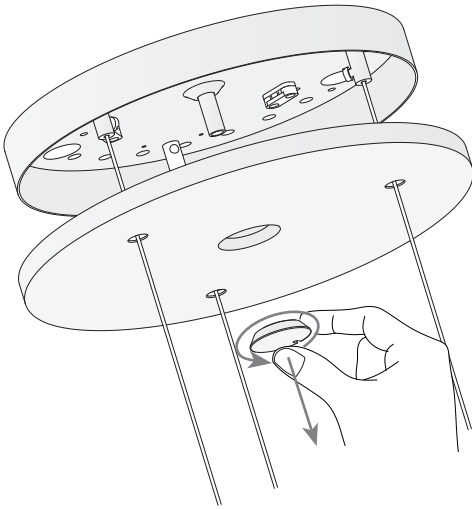
BLACK FABRIC CORD /
MANGUERA DE TELA NEGRA



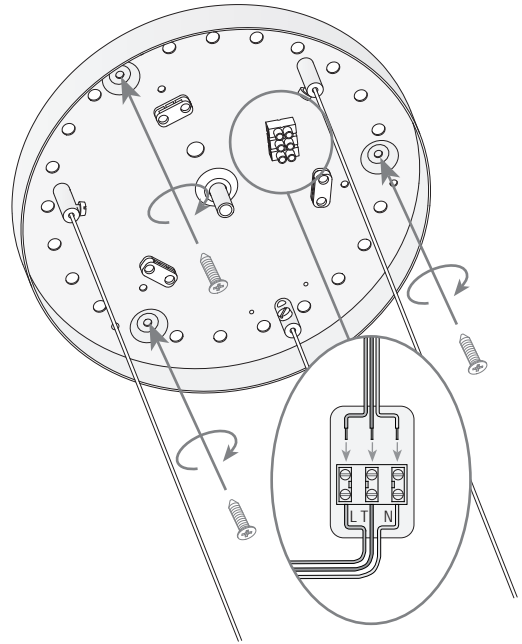
ø270



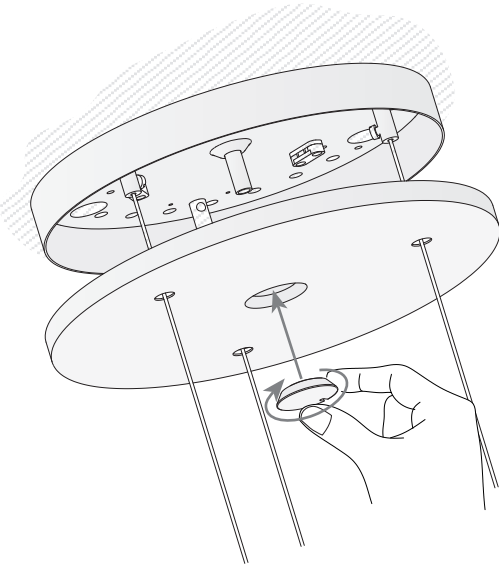
1



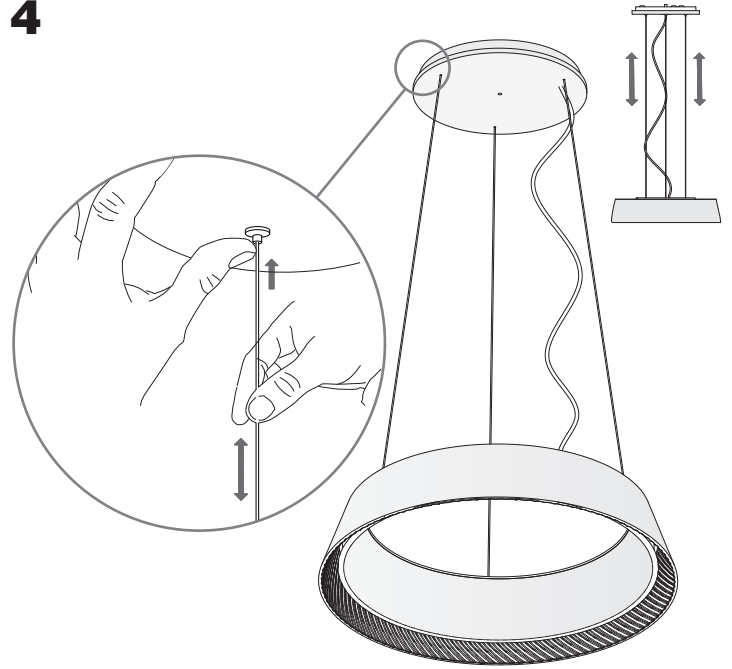
2



3



4



5

