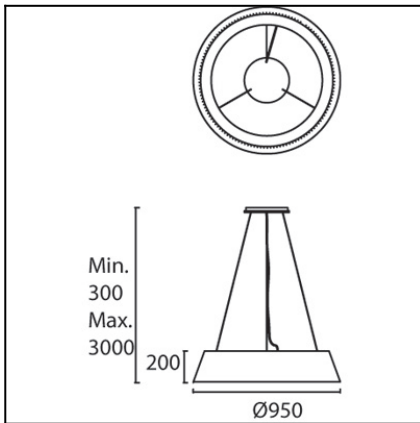


Design by Francesc Vilaró



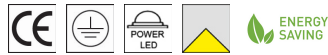
The photograph may not match the reference exactly. Please read the product description to identify the finish.



Download photometric file .ldt / .ies

TECHNICAL CHARACTERISTICS

Type:	Pendant
IP Protection degrees:	IP20
Bulb:	205 x LED. Warm White - 3000K
Power (W):	41
Luminous efficacy (Lm/W):	43
Voltage / Frequency:	110-240V/50-60Hz
Warranty (Years):	2
Option to extend the guarantee:	Yes, 5 years
Units per box:	1
Net Weight (Kg):	10
EAN:	8435381406974,00



MATERIALS / FINISHES

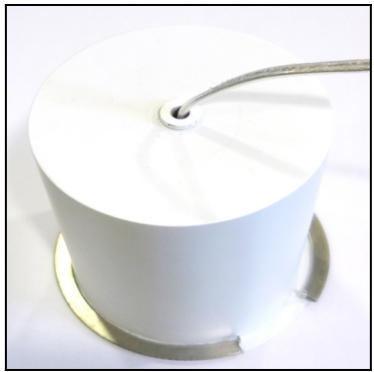
Structure material: Polyurethane
Spin forming aluminium

Structure finish: Matt white

GEAR

Multi-voltage electronic gear included (110-240 V / 50-60 Hz)

71-0053-BW-BW

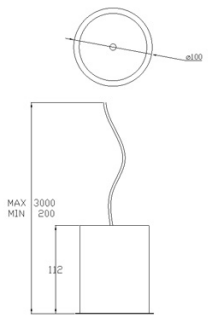


Structure material:

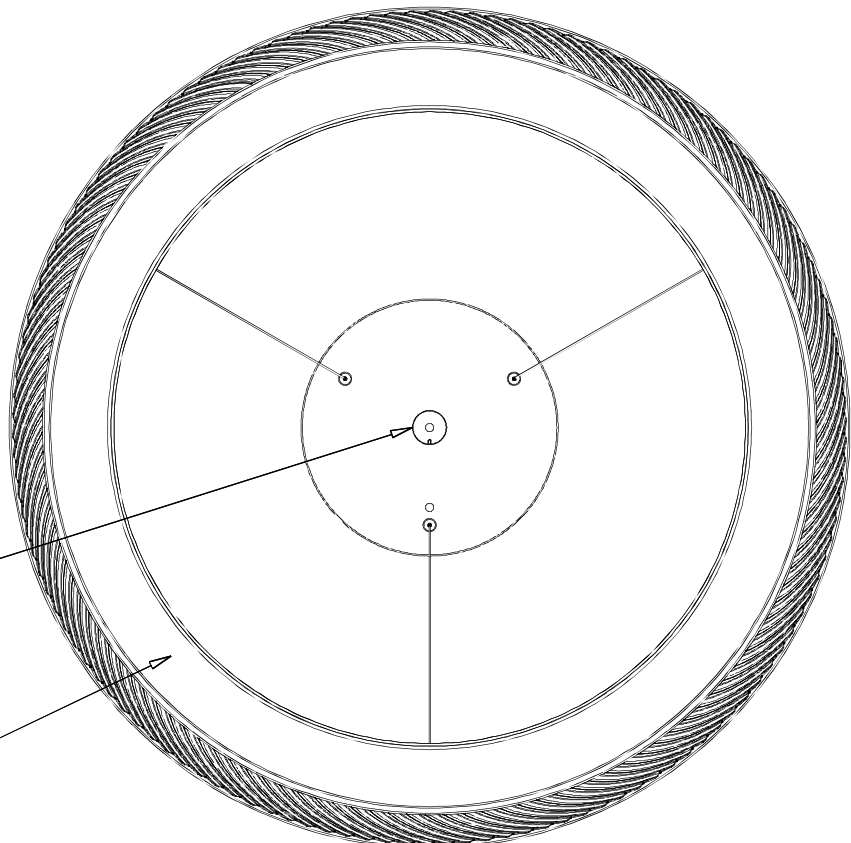
Steel

Structure finish:

Matt white

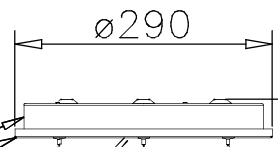


IP20



BRASS MATT WHITE /
LATÓN BLANCO MATE

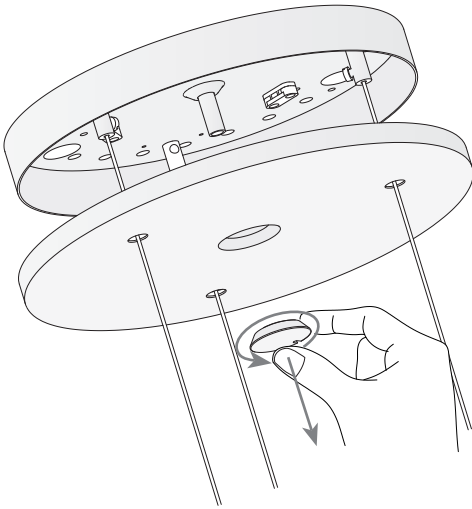
IRON MATT BLACK /
ACERO NEGRO MATE



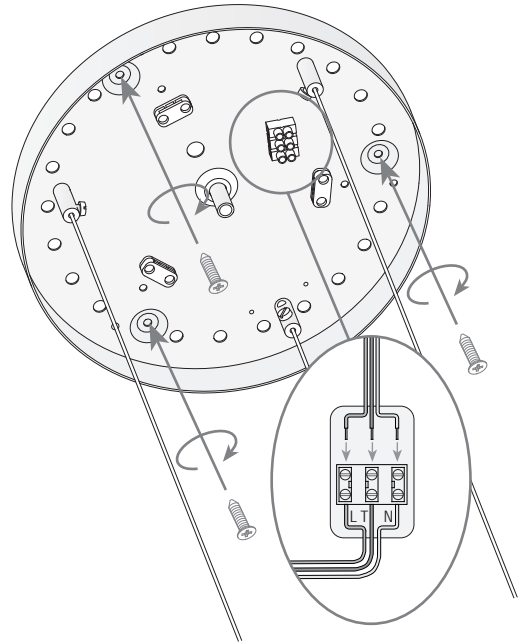
IRON MATT WHITE /
ACERO BLANCO MATE

BLACK FABRIC CORD /
MANGUERA DE TELA NEGRA

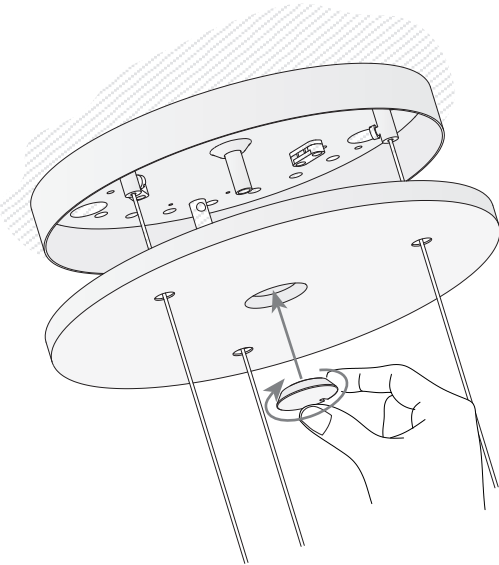
1



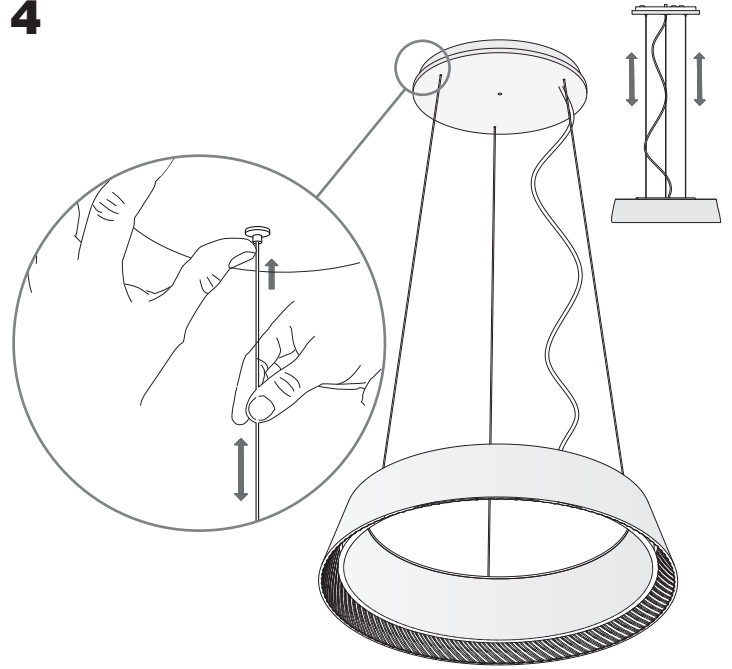
2



3



4



5

