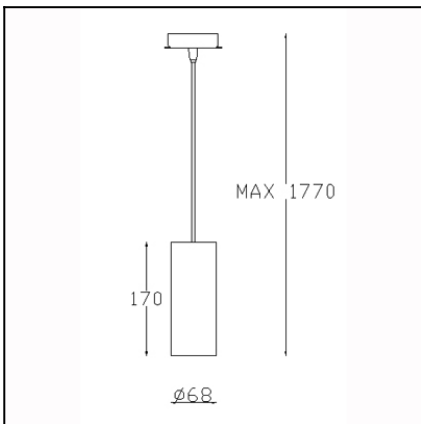
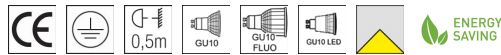




The photograph may not match the reference exactly. Please read the product description to identify the finish.


**TECHNICAL CHARACTERISTICS**

Type:	Pendant
IP Protection degrees:	IP20
Lampholder:	1 x GU10 1 x GU10 1 x GU10
Power (W):	GU10 MAX 50W GU10 MAX 11W GU10 MAX 5.5W
Voltage / Frequency:	220-240V/50-60Hz
Warranty (Years):	2
Units per box:	25
Net Weight (Kg):	0.54
EAN:	8435111088142,00


**MATERIALS / FINISHES**

**Structure material:** Extruded aluminium  
Steel

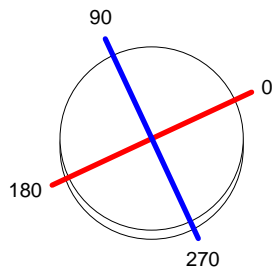
**Structure finish:** Matt white  
Matt black

[Download photometric file .ldt / .ies](#)

<b>Luminaire</b>		<b>Measur.</b>		<b>Lamp</b>	
Code	00-0073-14-05	Code	00-0073-14-05	Code	64826FL
Name	Colgante 50W halogen GU10	Name	Colgante 50W GU10	Number	1
Line	- LEDS-C4	Date	18-02-2013	Position	Universal
Efficiency	81.73%	Coordinate system	CG	Total Flux	370.00 lm
Maximum value	696.38 cd	Position	C=0.00 G=0.00	Double Symmetrical	
Round Luminaire	Diam.	68 mm	Height	170 mm	
Round Luminous Area	Diam.	45 mm	Height	0 mm	
Horizontal Luminous Area	0.001590 m2	Emitting area on Plane 180°	0.000000 m2		
Emitting area on Plane 0°	0.000000 m2	Emitting area on Plane 270°	0.000000 m2		
Emitting area on Plane 90°	0.000000 m2	Glare area at 76°	0.000385 m2		
Symmetry Type	Double Symmetrical	Maximum Gamma Angle	90		
Measurement Distance	6.44	Measurement Flux	367.00 lm		
Operator	Asselum T2	Source voltage	230.00 V		
Temperature	20.00 °C	Source current			
Humidity	49.00 %	Photocell	PRC		
Notes					

Line		Code	Luminaire Lamps		Flux [lm]	Pow. [W]	Q.ty
OSRAM 2006 HS, HM, HD, HR		64826FL	Name HALOPAR® 16 50W GZ10		370.00	50.00	1
C.I.E.	93 99 100 100 82		D DIN 5040	A60			
F UTE	0.82 A		B NBN	BZ 1			

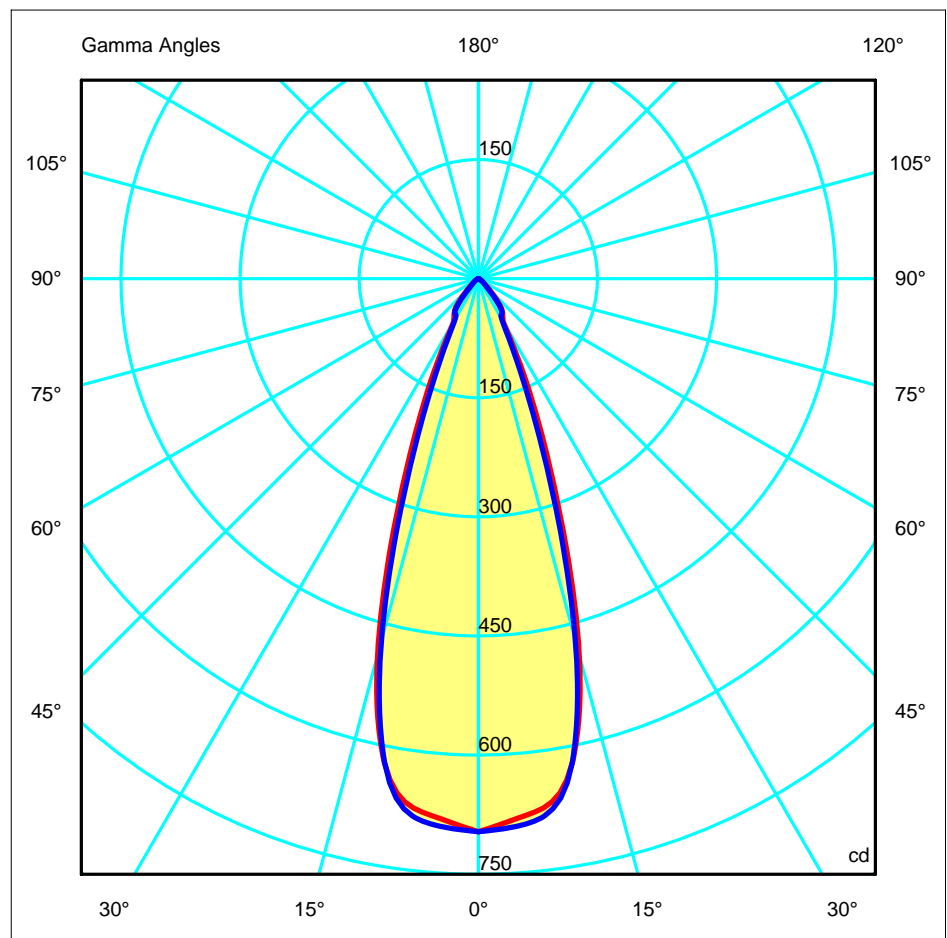
Diam=68mm

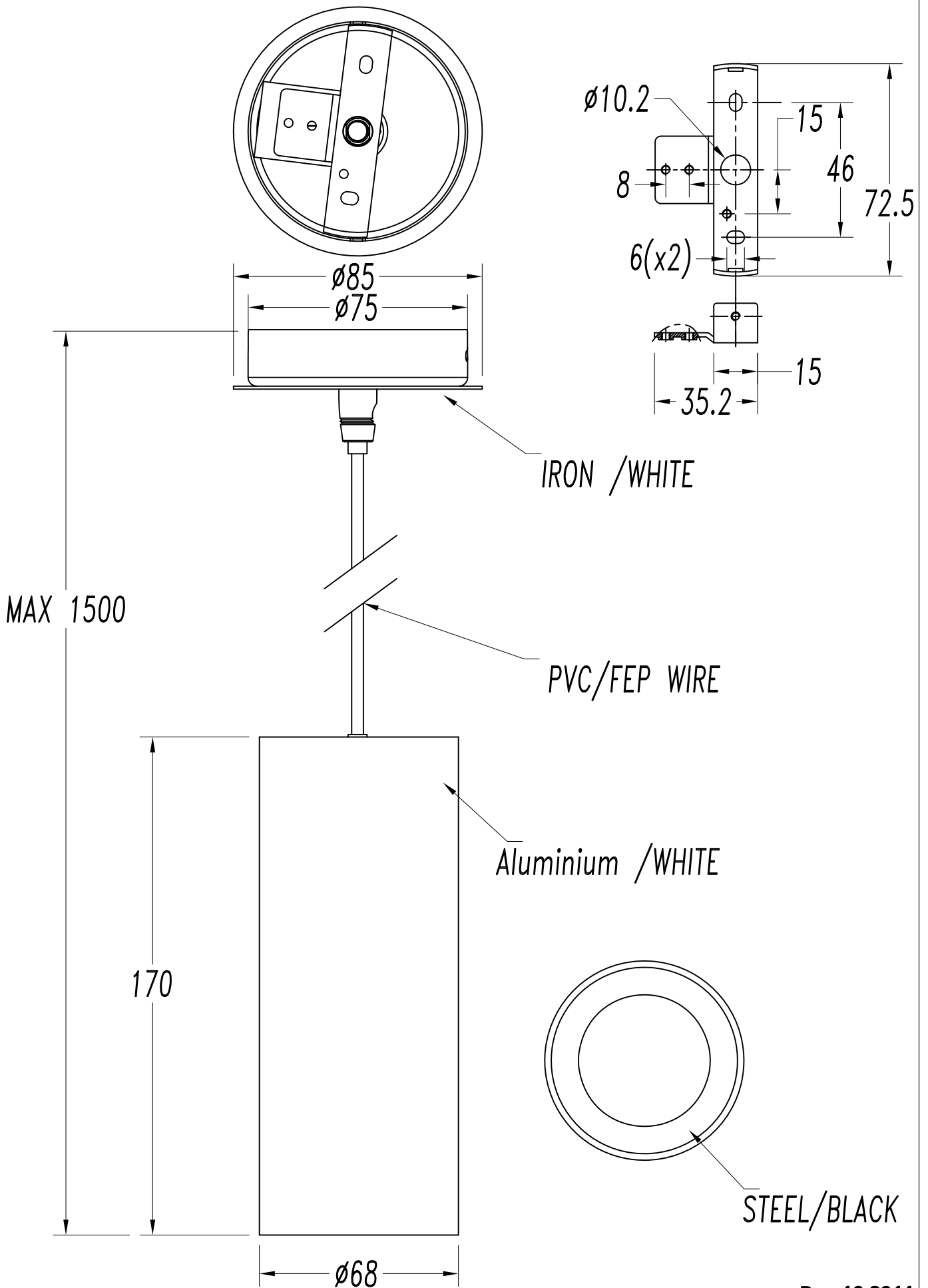


C Halfplanes

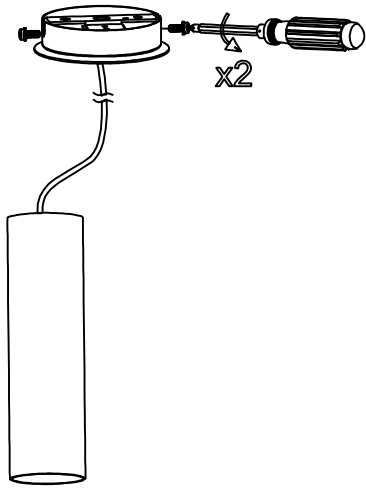


ULOR	0.00 %
DLOR	81.73 %
RN	0.00 %

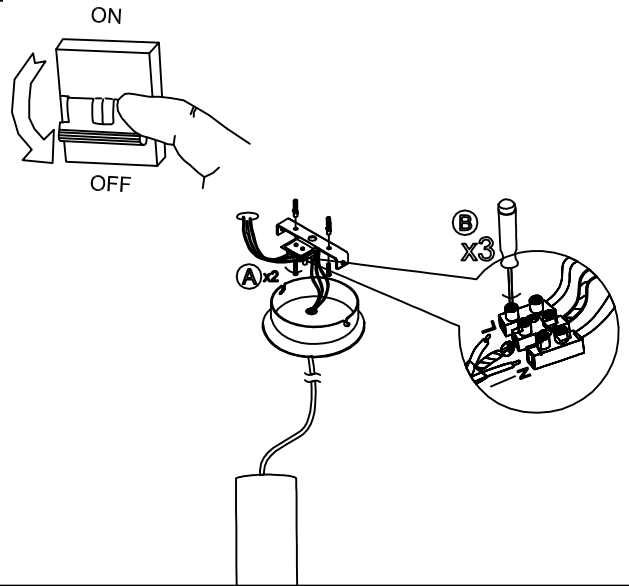




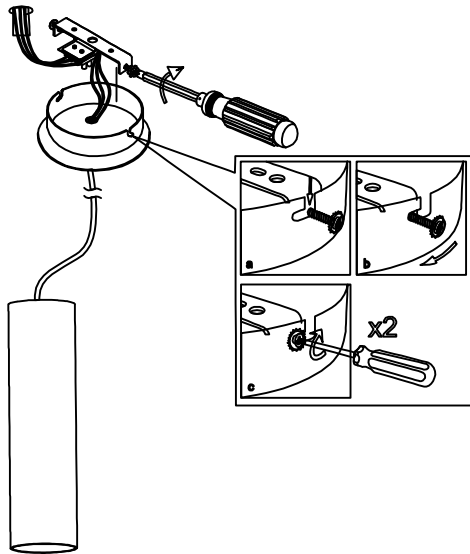
1



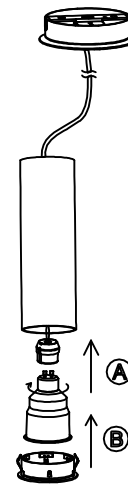
2



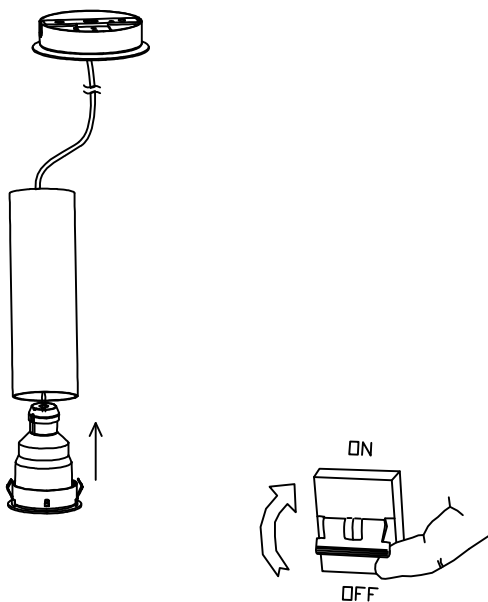
3



4



5



6

