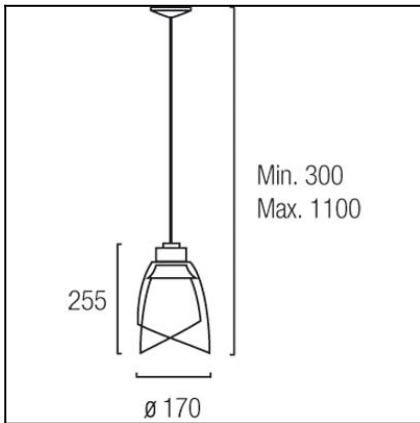


Design by Benedito Design


The photograph may not match the reference exactly. Please read the product description to identify the finish.


TECHNICAL CHARACTERISTICS

Type:	Pendant
IP Protection degrees:	IP20
Lampholder:	1 x E27
Power (W):	E27 100W
Total power consumption (W):	100
Voltage / Frequency:	220-240V/50Hz
Warranty (Years):	2
Units per box:	1
Net Weight (Kg):	1.64
EAN:	8435071495004,00


MATERIALS / FINISHES
Structure material: Steel

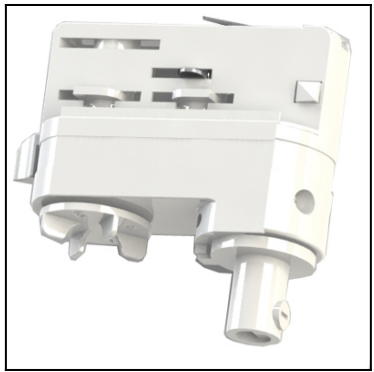
Diffuser material: Glass

Structure finish: Textured grey

Diffuser finish: Transparent
Triplex opal glass

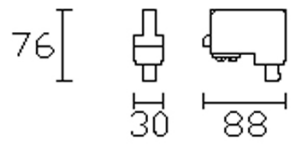
[Download photometric file .ldt / .ies](#)

71-2232-14-14



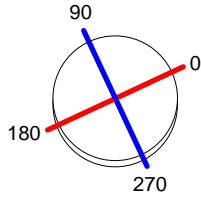
Structure finish:

White

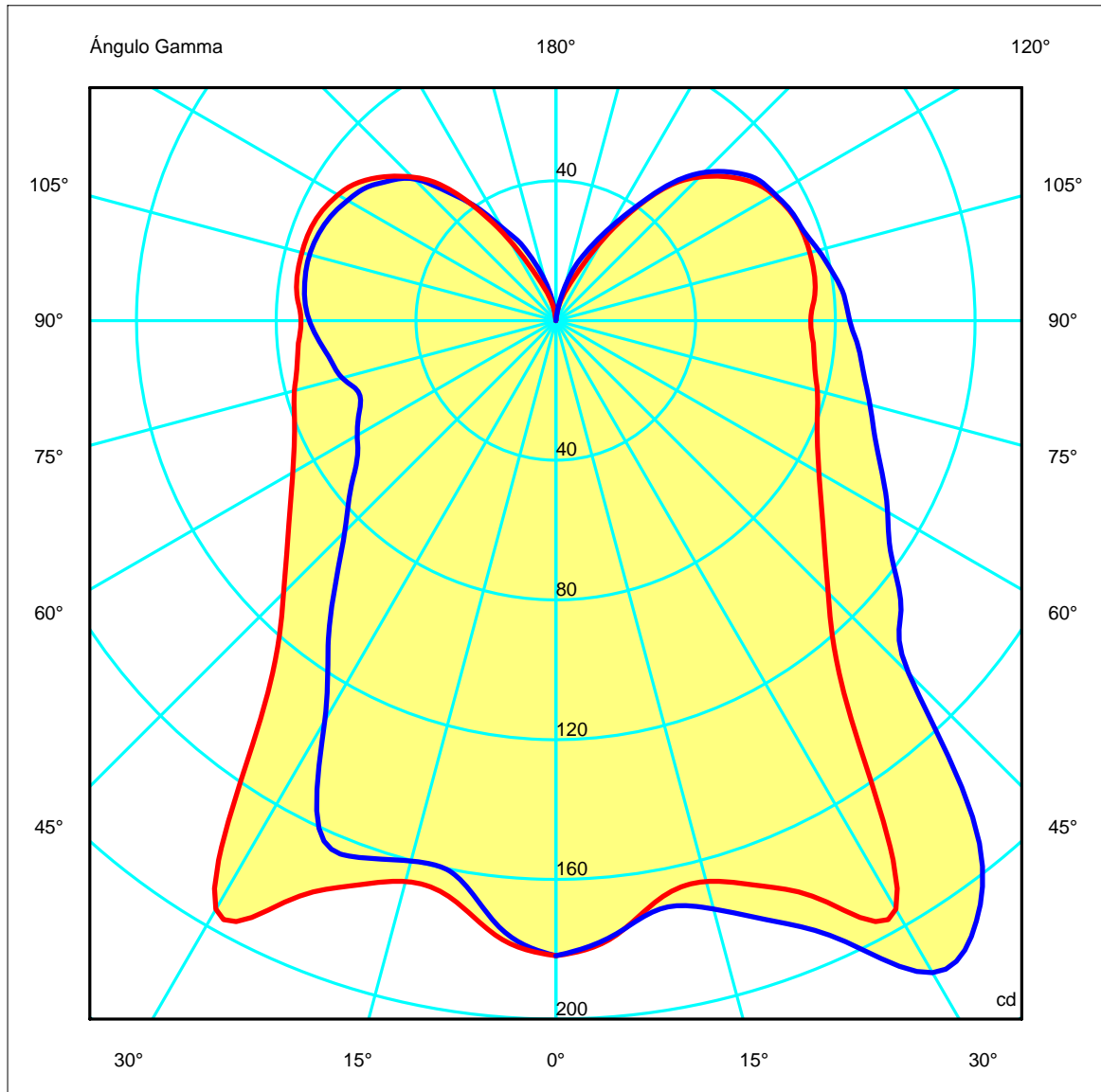
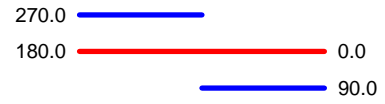


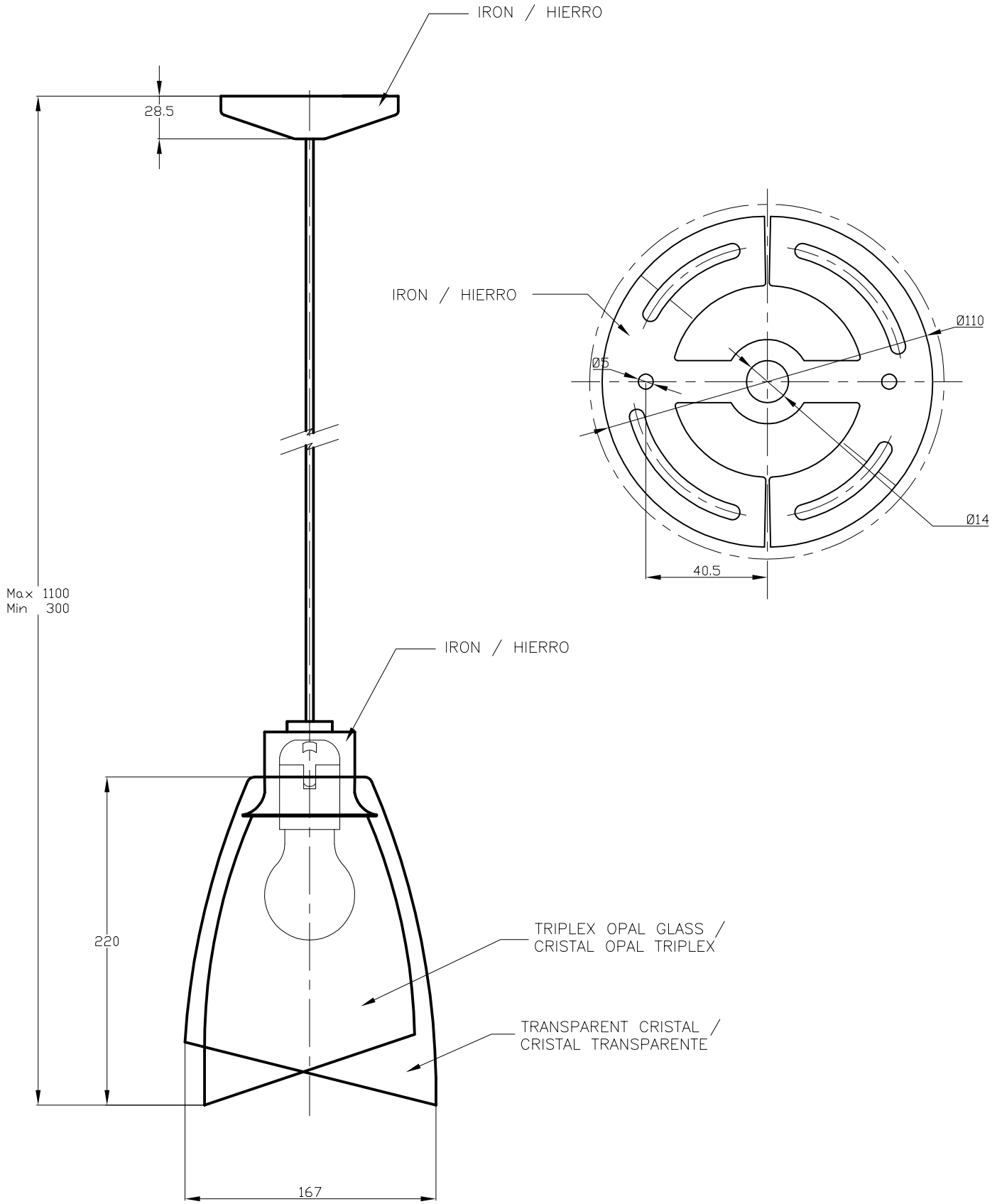
Luminaria		Ensayo		Lámpara	
Código	00-0087-N3-F9	Código	00-0087-N3-F9	Código	64476
Nombre	Colgante TWINS 100W E27 opal	Nombre	Colgante TWINS 100W halog E27	Número	1
Familia	- LEDS-C4	Fecha	01-04-2010	Posición	Universal
Eficiencia	69.77%	Sist. de Coorden.	C-G	Flujo Total	1500.00 lm
Valor Máximo	215.58 cd	Posición	C=90.00 G=30.00	Sim. en los planos	270-90

Diam=165mm

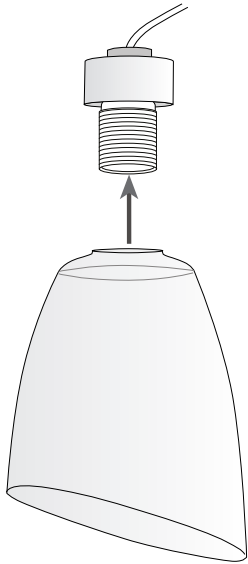


Semiplanos C

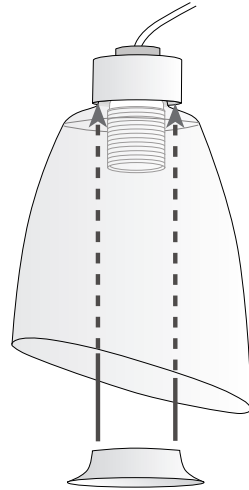




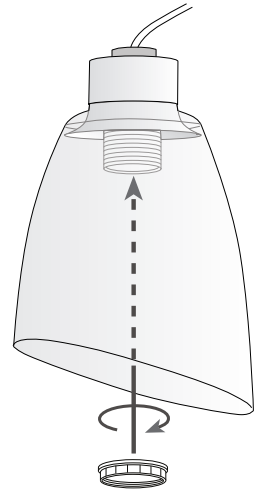
1



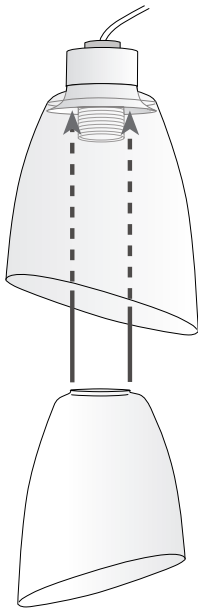
2



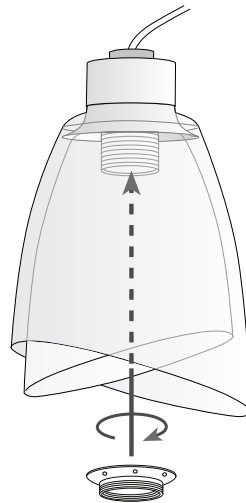
3



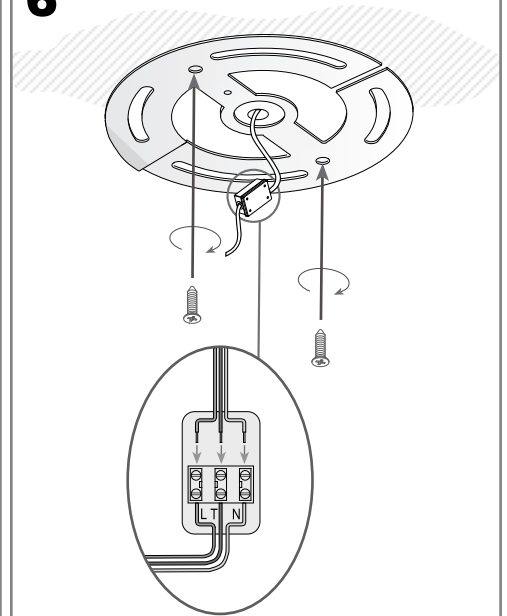
4



5



6



7

