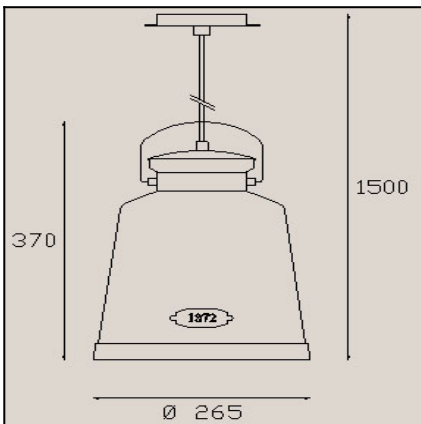


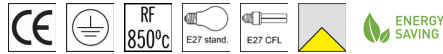


The photograph may not match the reference exactly. Please read the product description to identify the finish.



TECHNICAL CHARACTERISTICS

Type:	Pendant
IP Protection degrees:	IP20
Lampholder:	1 x E27 1 x E27
Power (W):	E27 100 E27 30
Voltage / Frequency:	220-240V/50-60Hz
Warranty (Years):	2
Units per box:	2
Net Weight (Kg):	1.29
EAN:	8435111091111,00



MATERIALS / FINISHES

Structure material: Steel
Spin forming aluminium

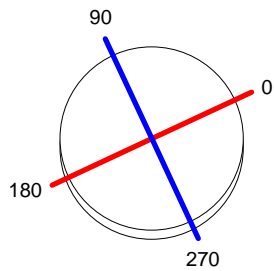
Structure finish: Antique grey
Golden amber

Download photometric file .ldt /.ies

Luminaire		Measur.		Lamp	
Code	00-0253-21-16	Code	00-0253-21-16	Code	STANDAR GOC 100W O
Name	Colgante 1x100W E27 inc	Name	Colgante 1x100W E27 inc	Number	1
Line	- LEDS-C4	Date	14-11-2013	Position	Universal
Efficiency	17.13%	Coordinate system	CG	Total Flux	1340.00 lm
Maximum value	212.26 cd	Position	C=0.00 G=0.00	Double Symmetrical	
Round Luminaire	Diam.	265 mm	Height	370 mm	
Round Luminous Area	Diam.	252 mm	Height	0 mm	
Horizontal Luminous Area	0.049876 m2	Emitting area on Plane 180°	0.000000 m2		
Emitting area on Plane 0°	0.000000 m2	Emitting area on Plane 270°	0.000000 m2		
Emitting area on Plane 90°	0.000000 m2	Glare area at 76°	0.012066 m2		
Symmetry Type	Double Symmetrical	Maximum Gamma Angle	90		
Measurement Distance	6.44	Measurement Flux	1209.00 lm		
Operator	Asselum T2	Source voltage	230.00 V		
Temperature	20.00 °C	Source current			
Humidity	52.00 %	Photocell	PRC		
Notes					

Luminaire Lamps						
Line	Code	Name	Flux [lm]	Pow. [W]	Q.ty	
PHILIPS 2005 ILCOS IA,IB,IC	STANDAR GOC 100W O	STANDAR GOCCIA 100W E27 OPALE	1340.00	100.00	1	
C.I.E.	85 96 99 100 17	D DIN 5040	A60			
F UTE	0.17 A	B NBN	BZ 1			

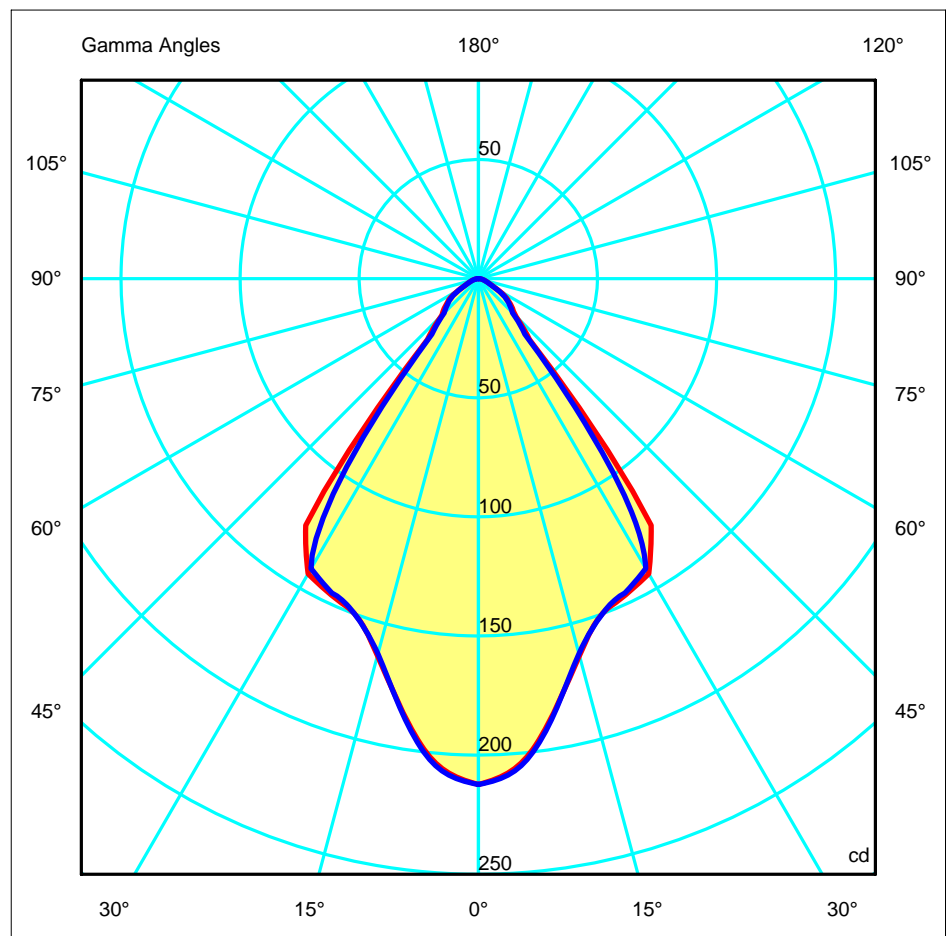
Diam=265mm

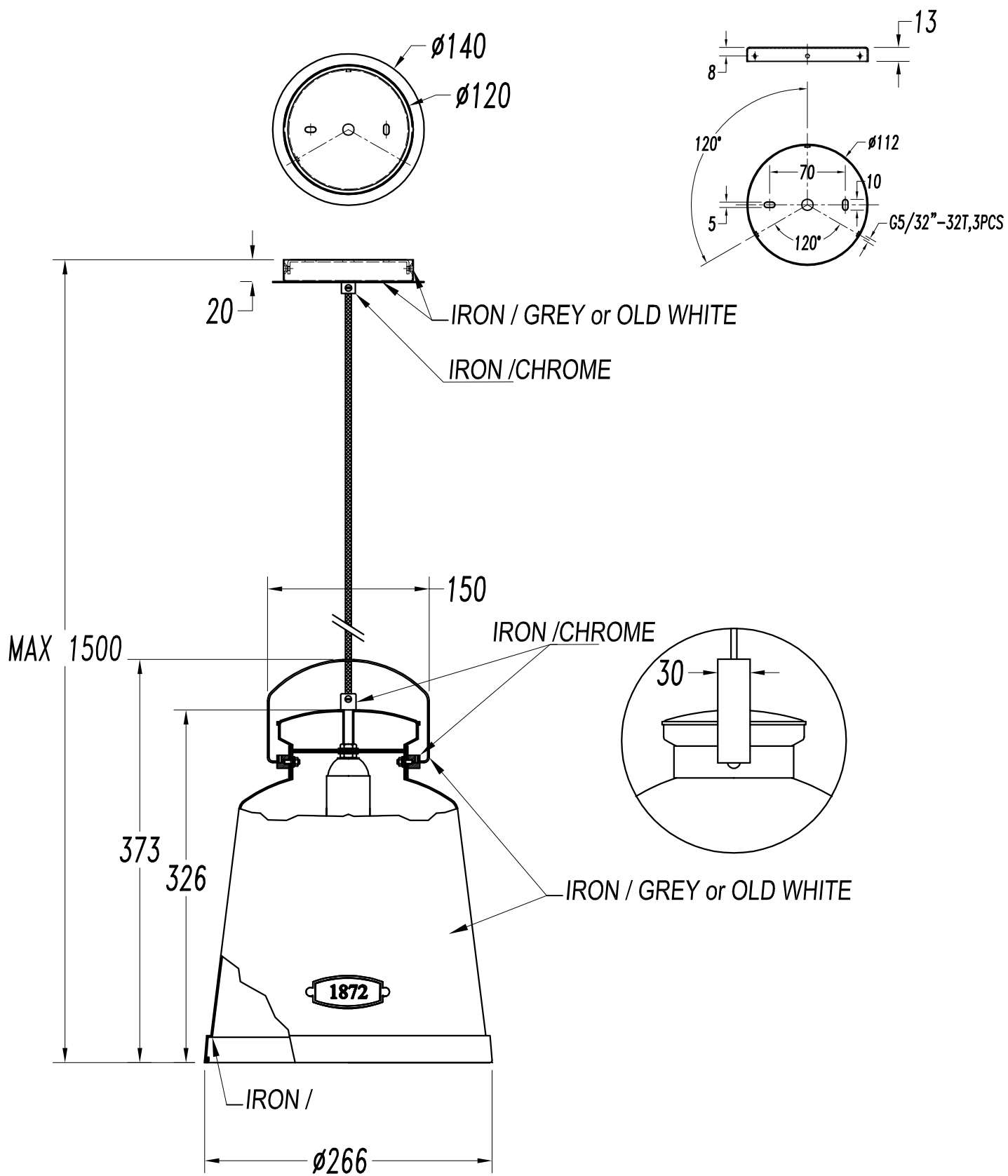


C Halfplanes

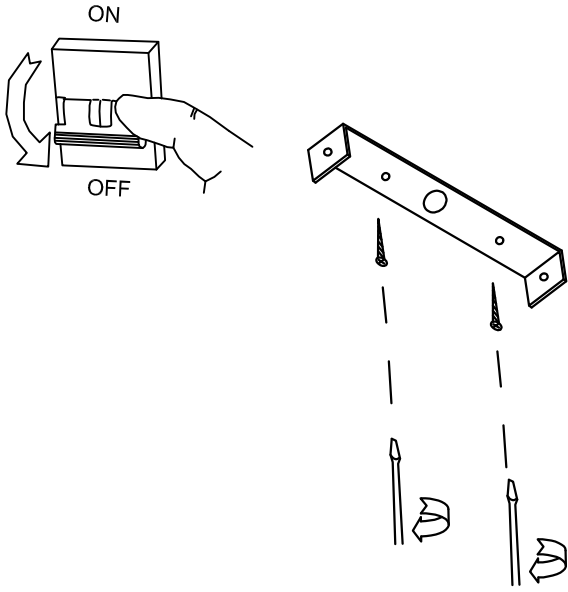
180.0 — 0.0
270.0 — 90.0

ULOR 0.00 %
DLOR 17.13 %
RN 0.00 %



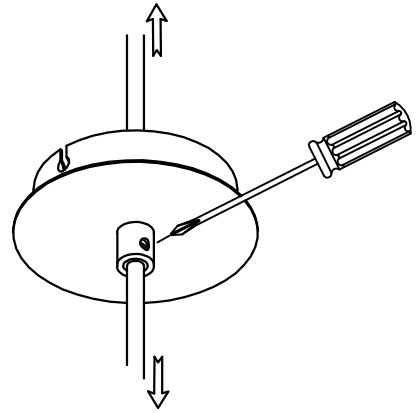


1

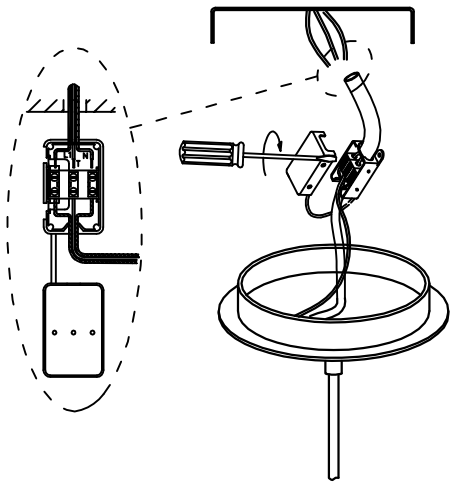


2

X1

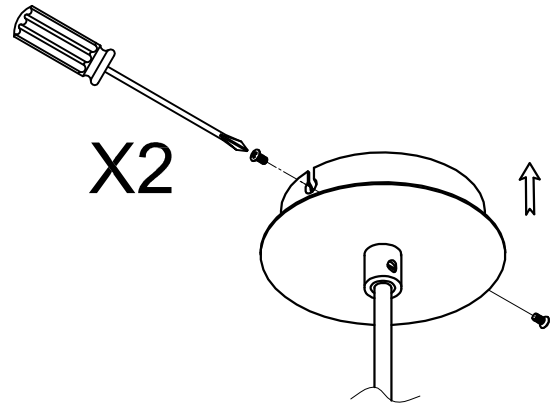


3



4

X2



5

