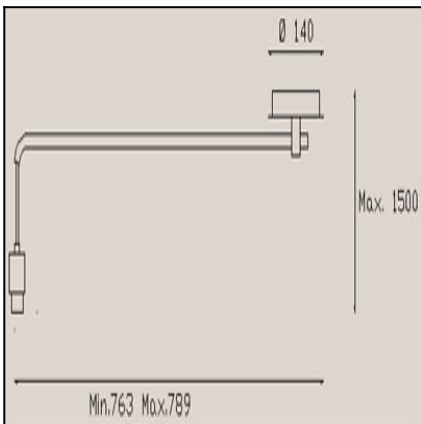




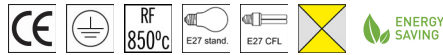
The photograph may not match the reference exactly. Please read the product description to identify the finish.



[Download photometric file .ldt / .ies](#)

### TECHNICAL CHARACTERISTICS

Type:	Pendant
Adjustable 350° on the vertical axis.	
IP Protection degrees:	IP20
Lampholder:	1 x E27 1 x E27
Power (W):	E27 100 E27 30
Voltage / Frequency:	220-240V/50-60Hz
Warranty (Years):	2
Units per box:	4
Net Weight (Kg):	1
EAN:	8435111091043,00

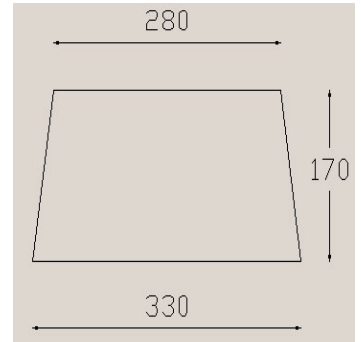


### MATERIALS / FINISHES

**Structure material:** Steel  
**Structure finish:** Chrome  
 Urban grey

**PAN-163-14**

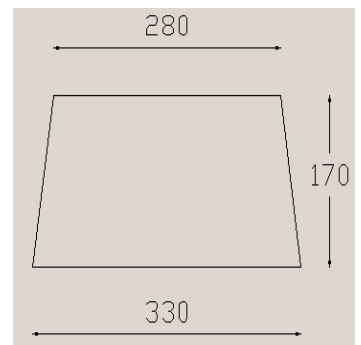

**Structure material:** Steel  
**Structure finish:** White  
  
**Diffuser material:** Ribboned shade  
**Diffuser finish:** White



IP20

**PAN-163-05**

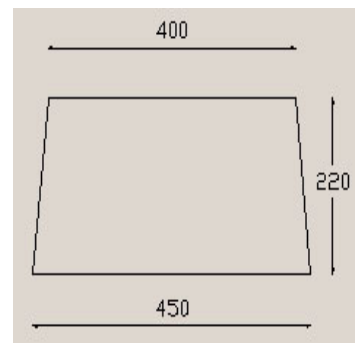

**Structure material:** Steel  
**Structure finish:** White  
  
**Diffuser material:** Ribboned shade  
**Diffuser finish:** Black



IP20

**PAN-164-14**

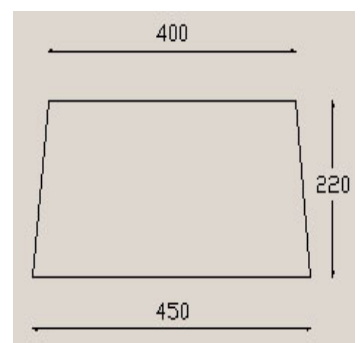

**Structure material:** Steel  
  
**Diffuser material:** Laminated cotton shade  
**Diffuser finish:** White



IP20

**PAN-164-05**


**Structure material:** Steel  
  
**Diffuser material:** Laminated cotton shade  
**Diffuser finish:** Black

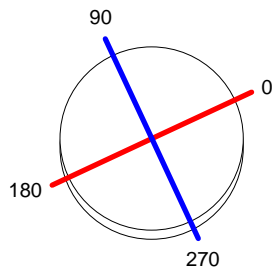


IP20

Luminaire		Measur.		Lamp	
Code	00-0264-21-82+163-05	Code	00-0264-21-82+163-05	Code	STANDAR GOC 100W O
Name	Colgante 100W A55+pant. negra	Name	Colgante 100W A55+pant. negra	Number	1
Line	- LEDS-C4	Date	16-01-2014	Position	Universal
Efficiency	55.19%	Coordinate system	CG	Total Flux	1340.00 lm
Maximum value	129.66 cd	Position	C=0.00 G=45.00	Double Symmetrical	
Round Luminaire	Diam.	330 mm	Height	170 mm	
Round Luminous Area	Diam.	330 mm	Height	170 mm	
Horizontal Luminous Area	0.085530 m2		Emitting area on Plane 180°	0.056100 m2	
Emitting area on Plane 0°	0.056100 m2		Emitting area on Plane 270°	0.056100 m2	
Emitting area on Plane 90°	0.056100 m2		Glare area at 76°	0.075125 m2	
Symmetry Type	Double Symmetrical		Maximum Gamma Angle	180	
Measurement Distance	6.44		Measurement Flux	1153.00 lm	
Operator	Asselum T2		Source voltage	230.00 V	
Temperature	20.00 °C		Source current	PRC	
Humidity	55.00 %		Photocell	PRC	
Notes					

Luminaire Lamps						
Line	Code	Name	Flux [lm]	Pow. [W]	Q.ty	
PHILIPS 2005 ILCOS IA,IB,IC	STANDAR GOC 100W O	STANDAR GOCCIA 100W E27 OPALE	1340.00	100.00	1	
C.I.E.	47 90 98 58 55	D DIN 5040				
F UTE	0.32 D + 0.23 T	B NBN				
		C31				
		BZ 4				

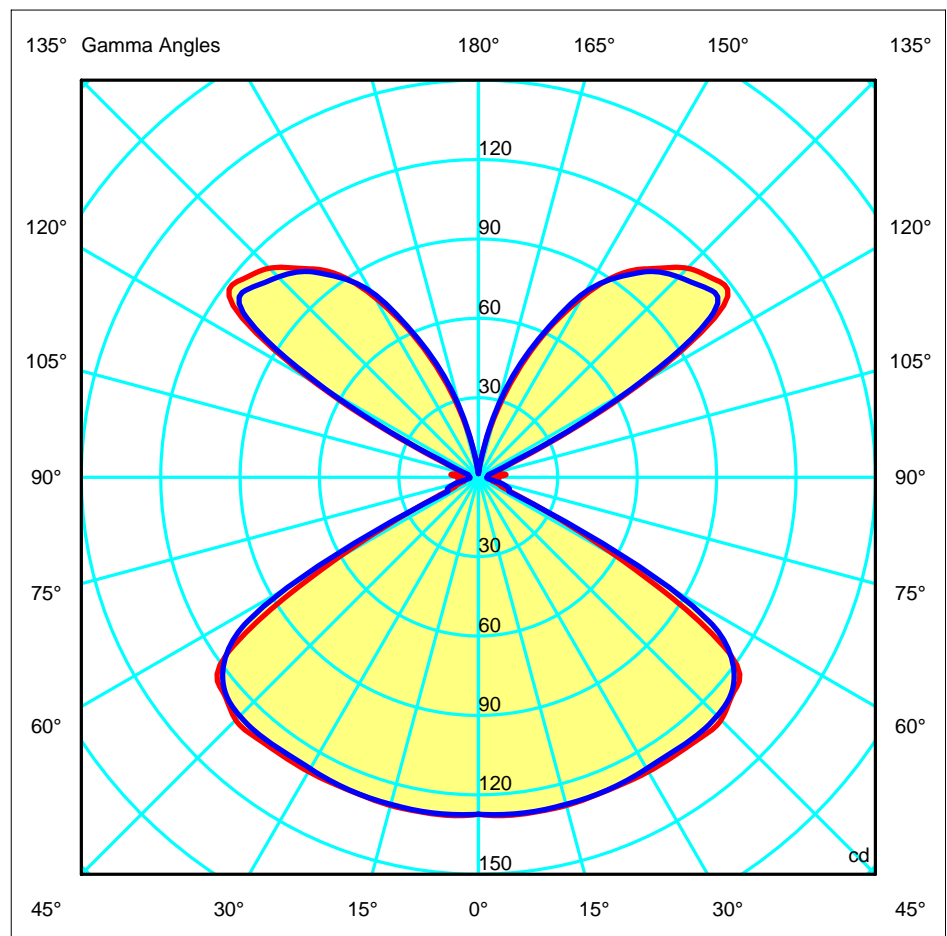
Diam=330mm

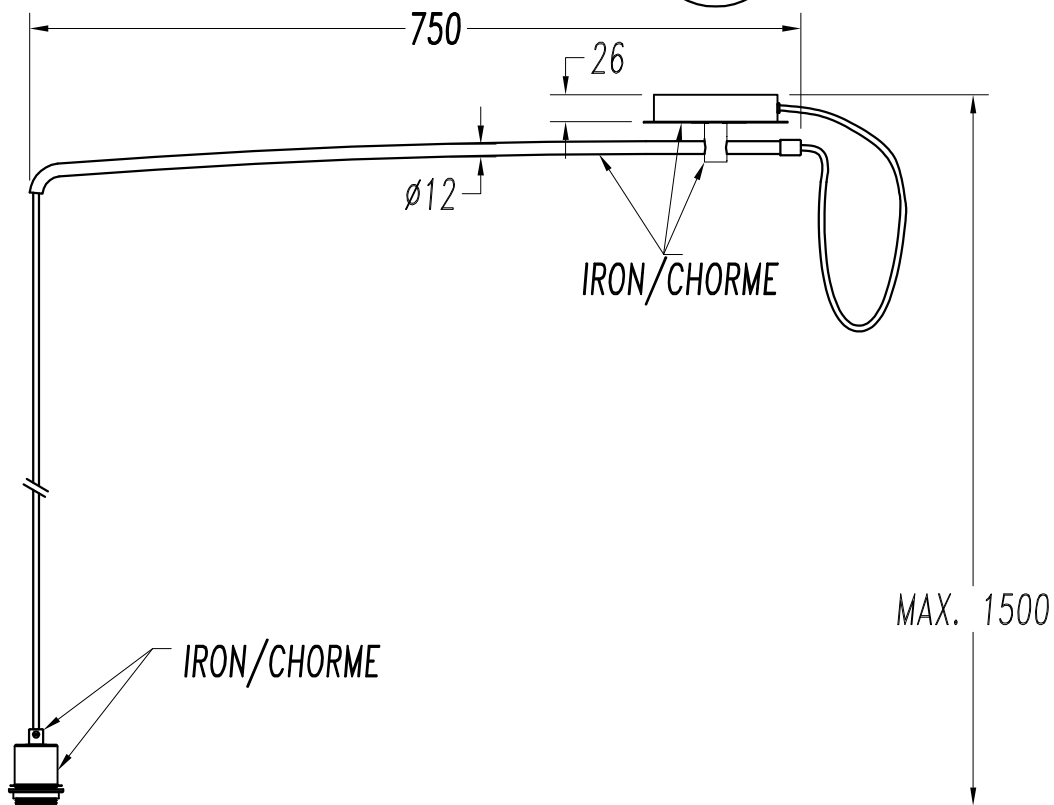
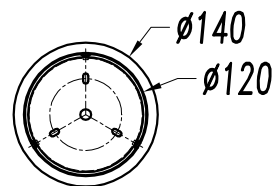
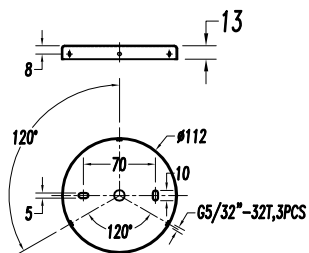
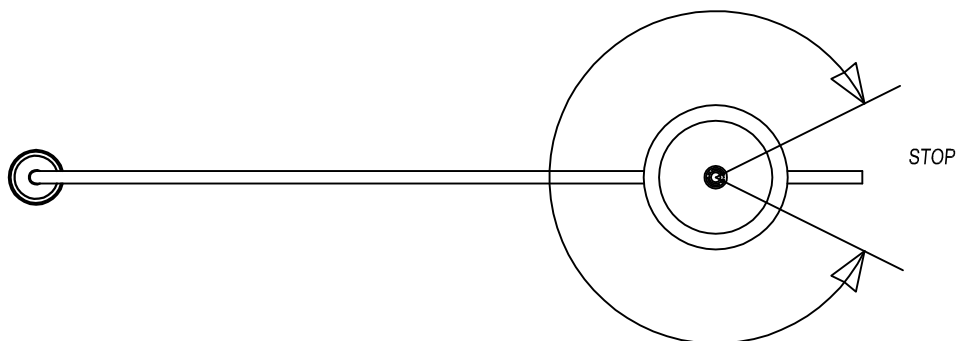


C Halfplanes

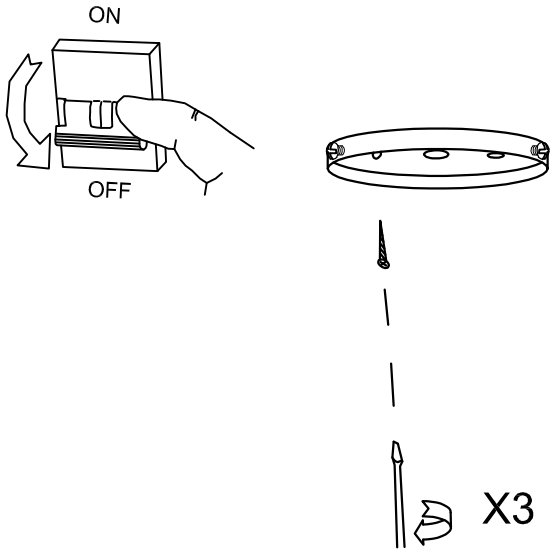
180.0 — 0.0  
270.0 — 90.0

ULOR 23.38 %  
DLOR 31.80 %  
RN 42.37 %

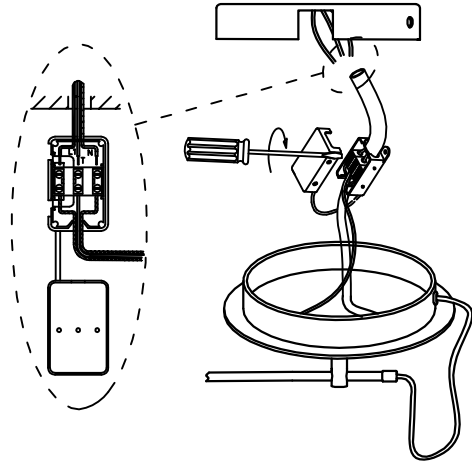




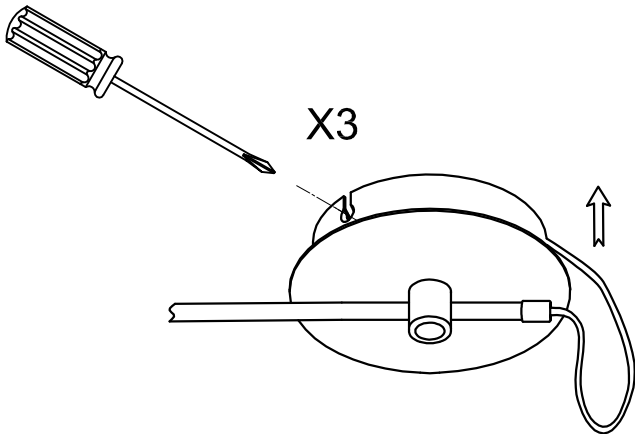
**1**



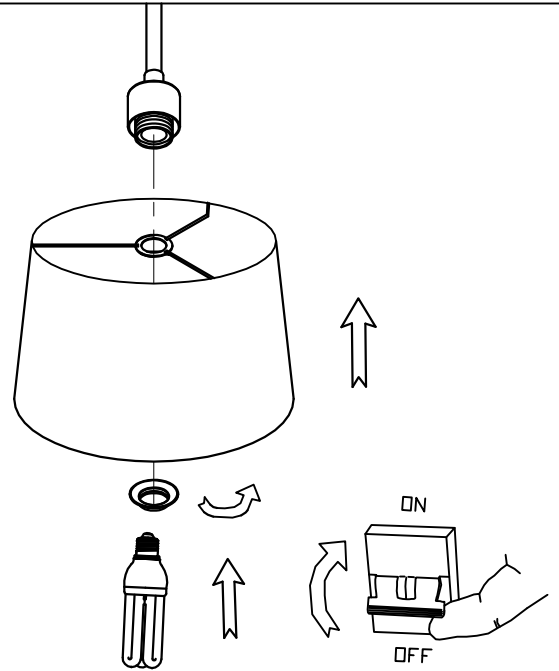
**2**



**3**



**4**



**5**

