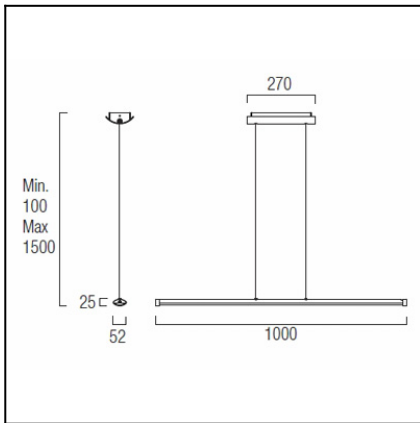


Design by Josep Patsí

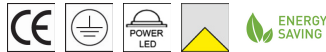


The photograph may not match the reference exactly. Please read the product description to identify the finish.



TECHNICAL CHARACTERISTICS

Type:	Pendant
IP Protection degrees:	IP20
Bulb:	18 x LED Cree. Warm White - 3000K
Power (W):	18x1W
Total power consumption (W):	22.6
Luminous efficacy (Lm/W):	80,6
Voltage / Frequency:	100-240V/50-60Hz
Warranty (Years):	2
Option to extend the guarantee:	Yes, 5 years
Units per box:	1
Net Weight (Kg):	2.4
EAN:	8435111091364,00



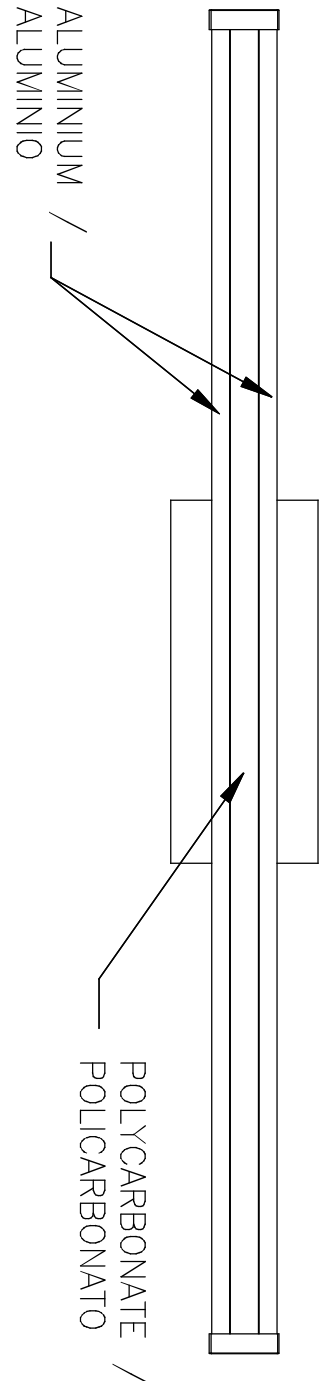
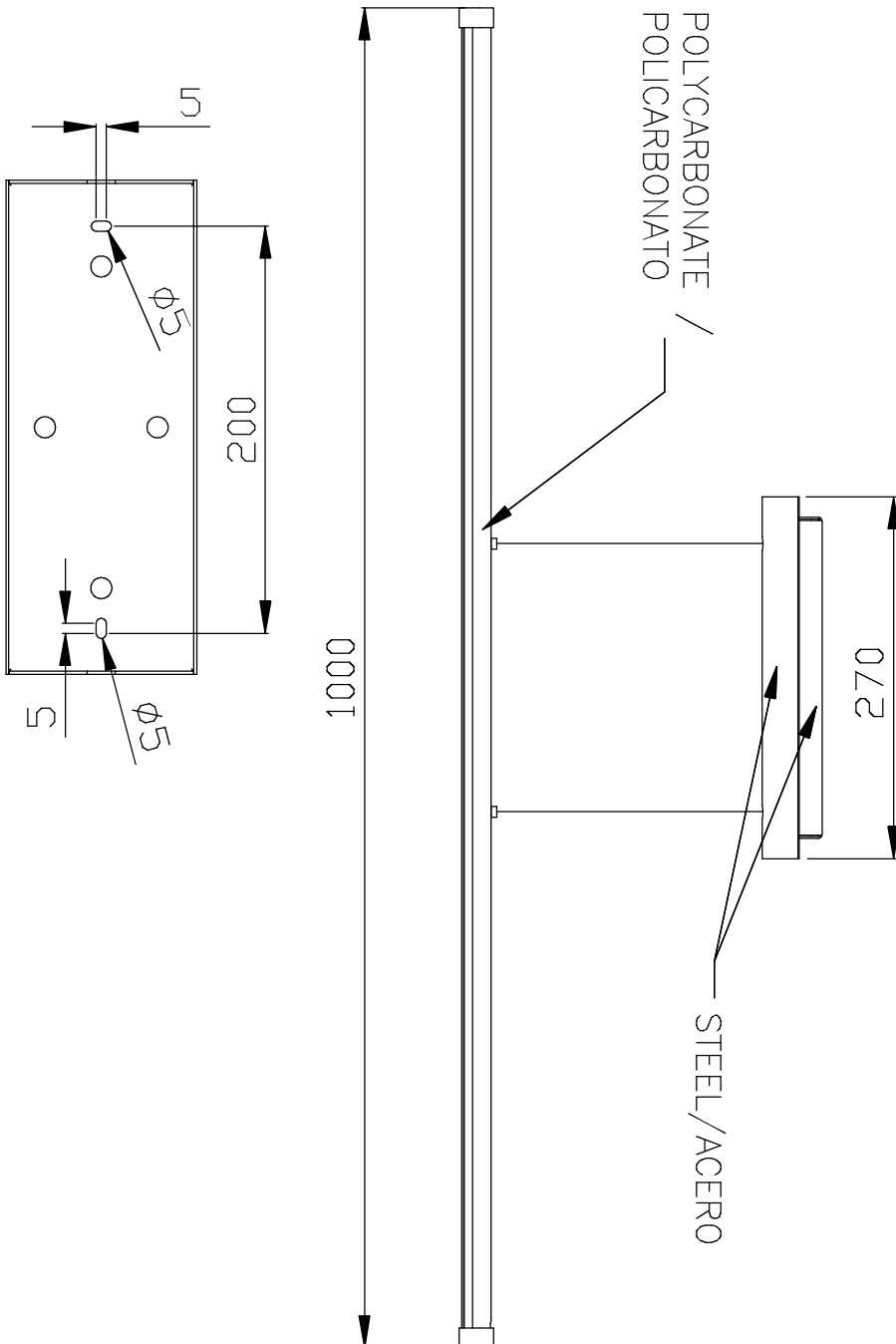
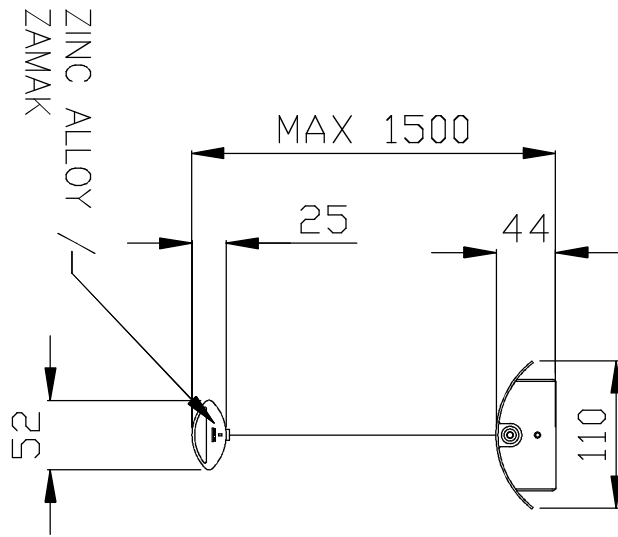
MATERIALS / FINISHES

Structure material:	Anodized aluminium Zamak	Diffuser material:	Polycarbonate Methacrylate
Structure finish:	Chrome Chrome	Diffuser finish:	Transparent Tinted

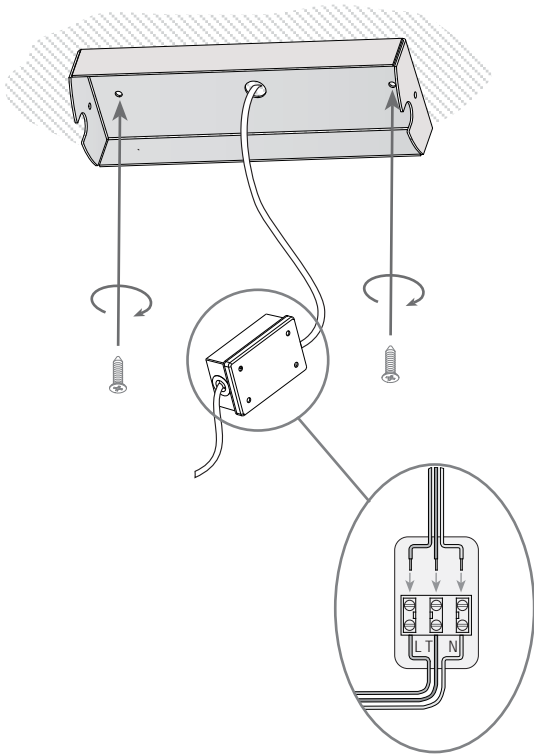
Download photometric file .ldt / .ies

GEAR

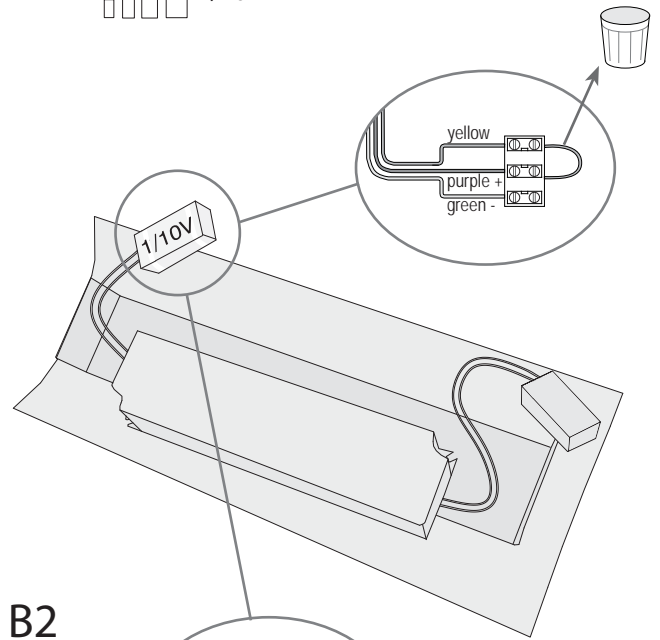
Multi-voltage electronic gear included (110-240 V / 50-60 Hz)
Dimming protocol: 1..10V



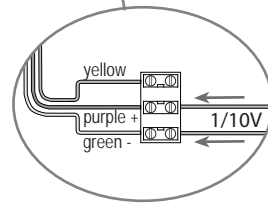
1A ON/OFF



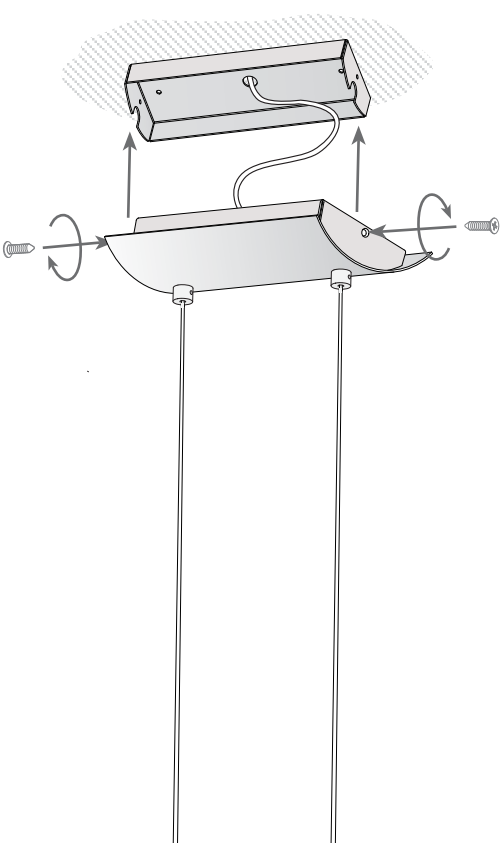
1B1



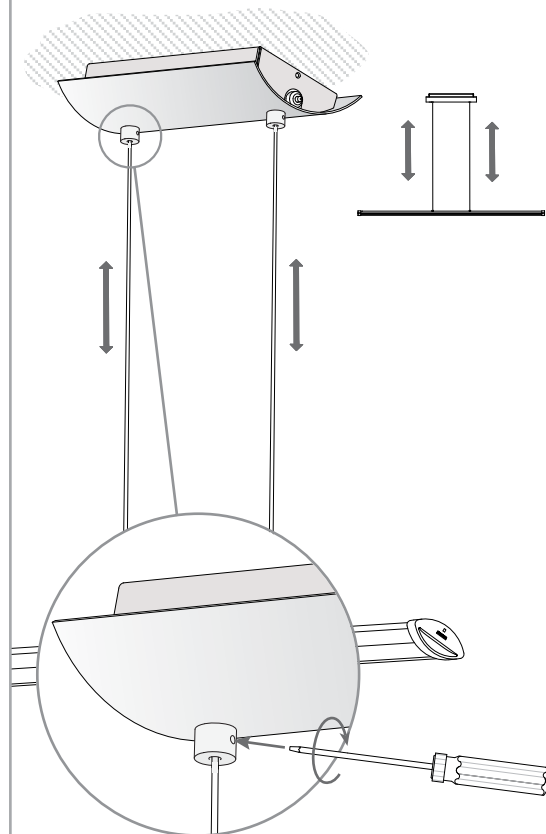
1B2



2



3



4

