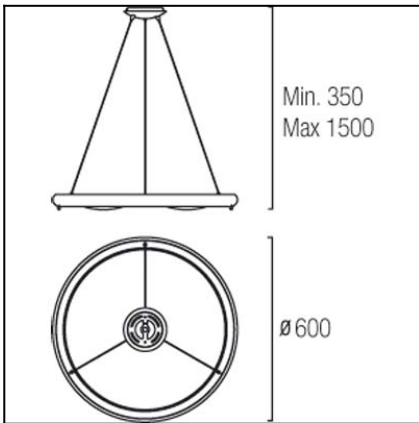


Design by Josep Patsí

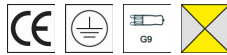


The photograph may not match the reference exactly. Please read the product description to identify the finish.



### TECHNICAL CHARACTERISTICS

Type:	Pendant
IP Protection degrees:	IP20
Lampholder:	6 x G9
Power (W):	G9 60W
Bulb included:	6 x G9 60W
Total power consumption (W):	360
Voltage / Frequency:	220-240V/50-60Hz
Warranty (Years):	2
Units per box:	1
Net Weight (Kg):	3.85
EAN:	8435111048467



### MATERIALS / FINISHES

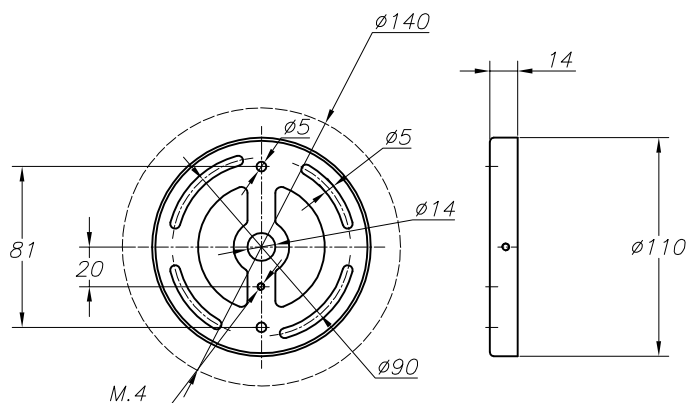
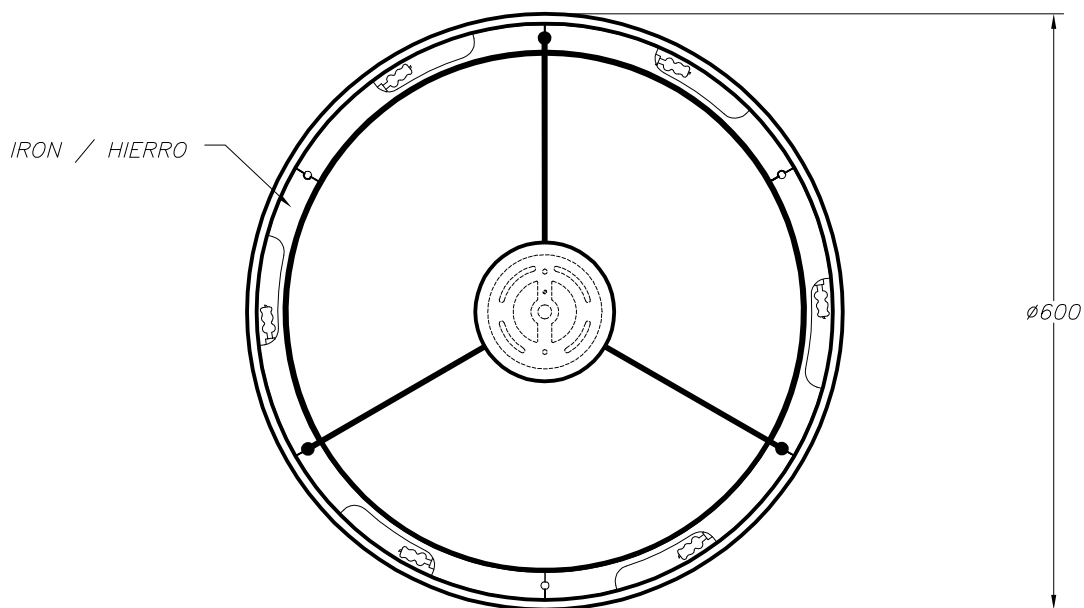
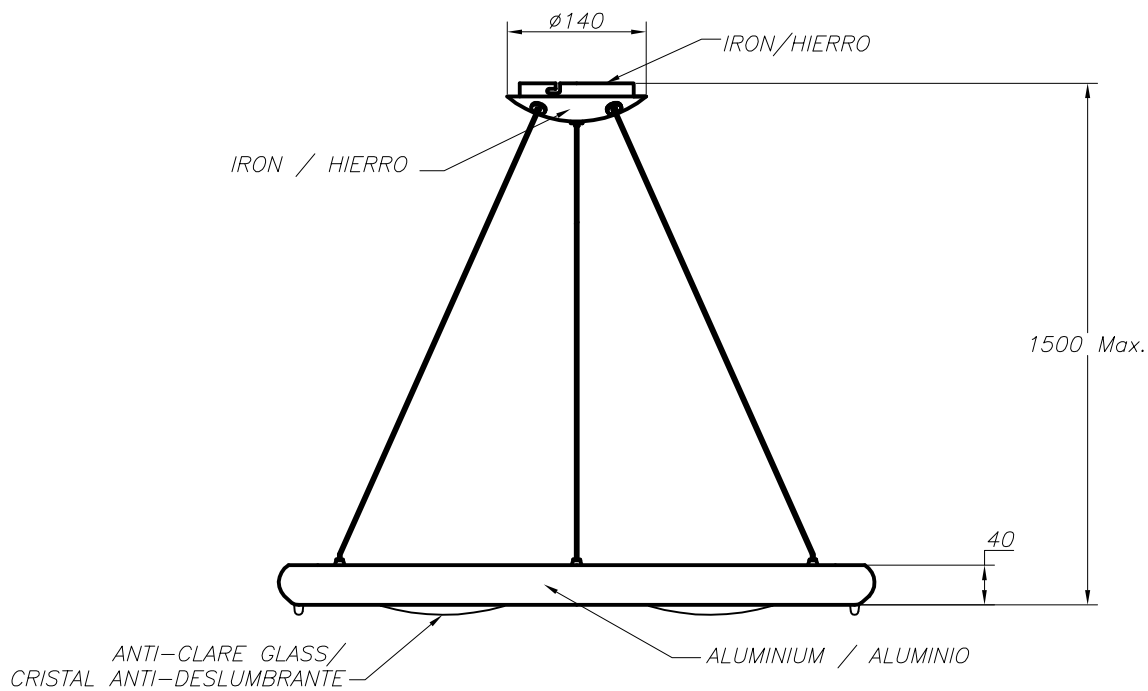
**Structure material:** Aluminium

**Diffuser material:** Glass

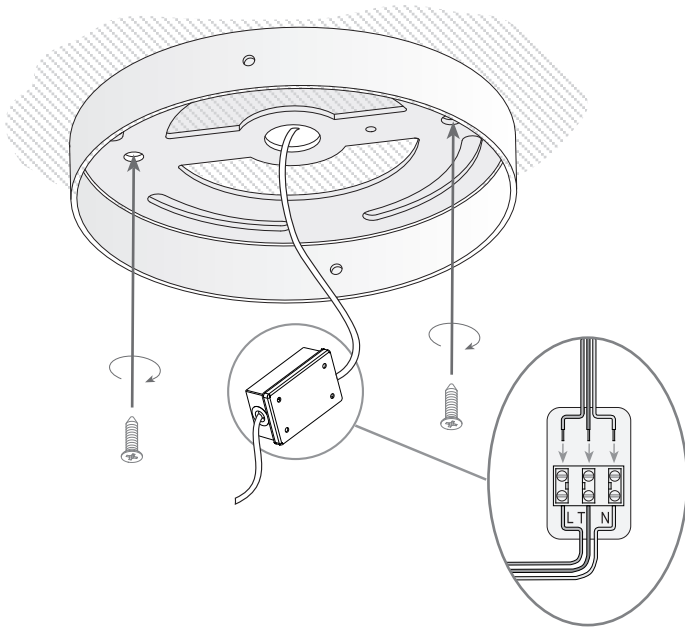
**Structure finish:** Ecobright

**Diffuser finish:** Tinted

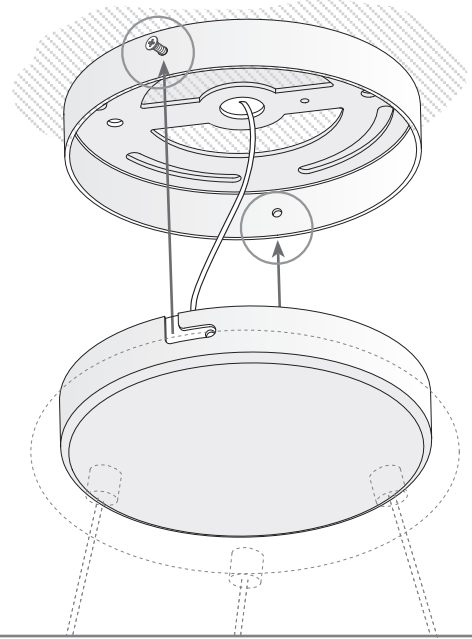
[Download photometric file .ldt / .ies](#)



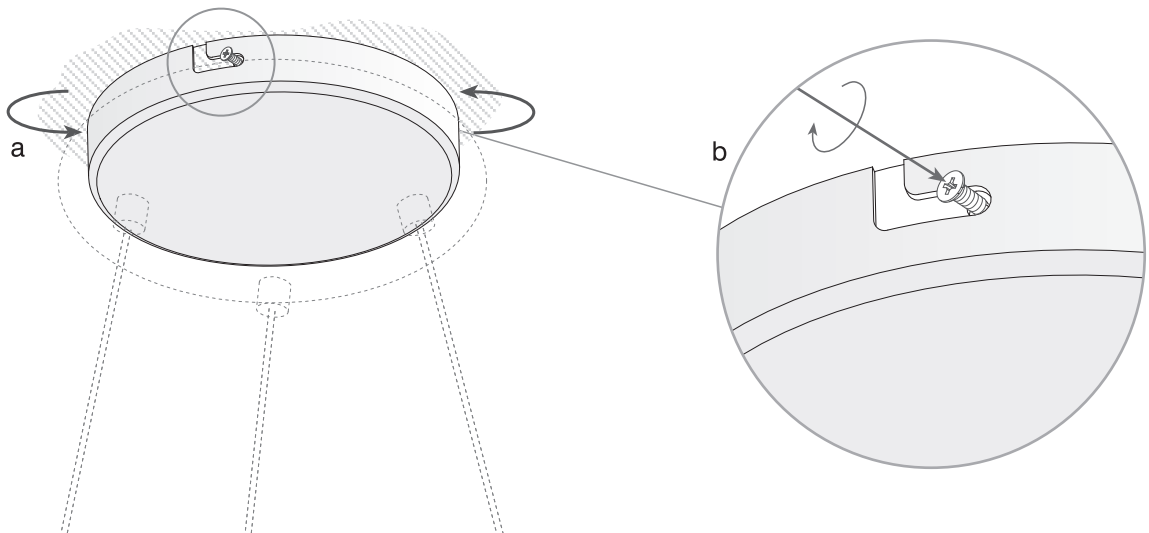
1



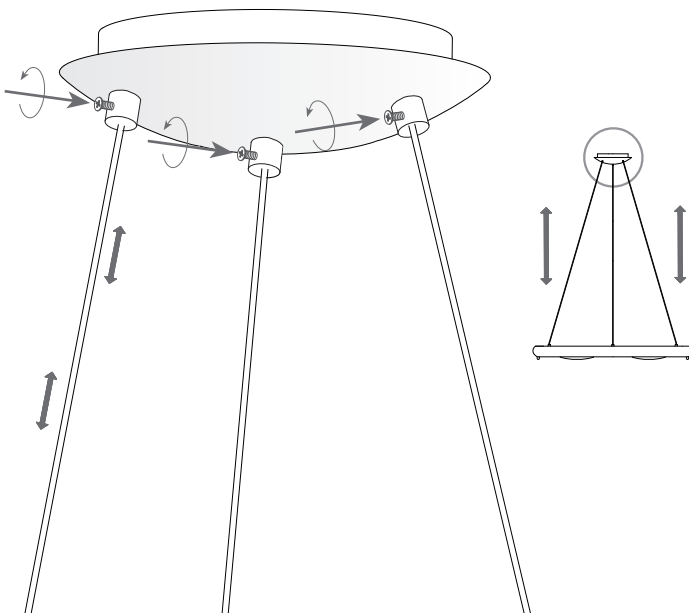
2



3



4



5

