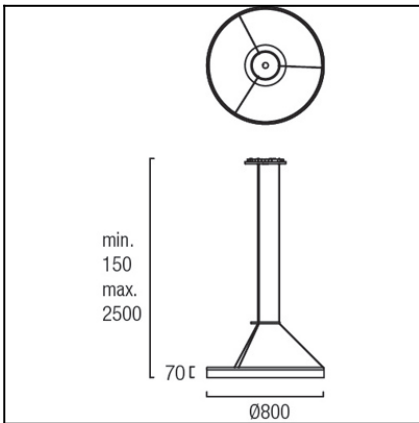
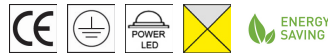


**Design by GROK Team**


The photograph may not match the reference exactly. Please read the product description to identify the finish.


**TECHNICAL CHARACTERISTICS**

Type:	Pendant
IP Protection degrees:	IP20
Bulb:	504 x LED Refond. Warm White - 3000K
Power (W):	31W
Total power consumption (W):	44.8
Luminous efficacy (Lm/W):	111
CRI:	80
Voltage / Frequency:	100-240V/50-60Hz
Warranty (Years):	2
Option to extend the guarantee:	Yes, 5 years
Units per box:	1
Net Weight (Kg):	5.235
EAN:	0,00


**MATERIALS / FINISHES**
**Structure material:** Aluminium  
Steel

**Diffuser material:** Methacrylate

**Structure finish:** Matt white

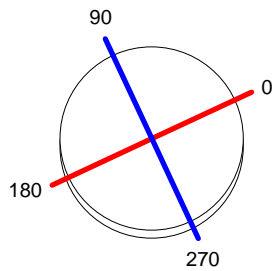
**Diffuser finish:** Tinted

[Download photometric file .ldt / .ies](#)

<b>Luminaire</b>		<b>Measur.</b>		<b>Lamp</b>	
Code	00-0642-BW-M3	Code	00-0002-BW-M3	Code	00-0002-BW-M3
Name	Colgante CIRC led 31W blanco	Name	Colgante CIRC led 31W blanco	Number	1
Line	- LEDS-C4	Date	18-06-2012	Position	Universal
Efficiency	100.00%	Coordinate system	CG	Total Flux	3132.70 lm
Maximum value	596.85 cd	Position	C=0.00 G=0.00	Double Symmetrical	
Round Luminaire	Diam.	800 mm	Height	70 mm	
Round Luminous Area	Diam.	800 mm	Height	55 mm	
Horizontal Luminous Area	0.502655 m2	Emitting area on Plane 180°	0.044000 m2		
Emitting area on Plane 0°	0.044000 m2	Emitting area on Plane 270°	0.044000 m2		
Emitting area on Plane 90°	0.044000 m2	Glare area at 76°	0.164296 m2		
Symmetry Type	Double Symmetrical	Maximum Gamma Angle	180		
Measurement Distance	6.44	Measurement Flux	3132.70 lm		
Operator	Asselum T2	Source voltage	230.00 V		
Temperature	24.00 °C	Source current			
Humidity	50.00 %	Photocell	PRC		
Notes					

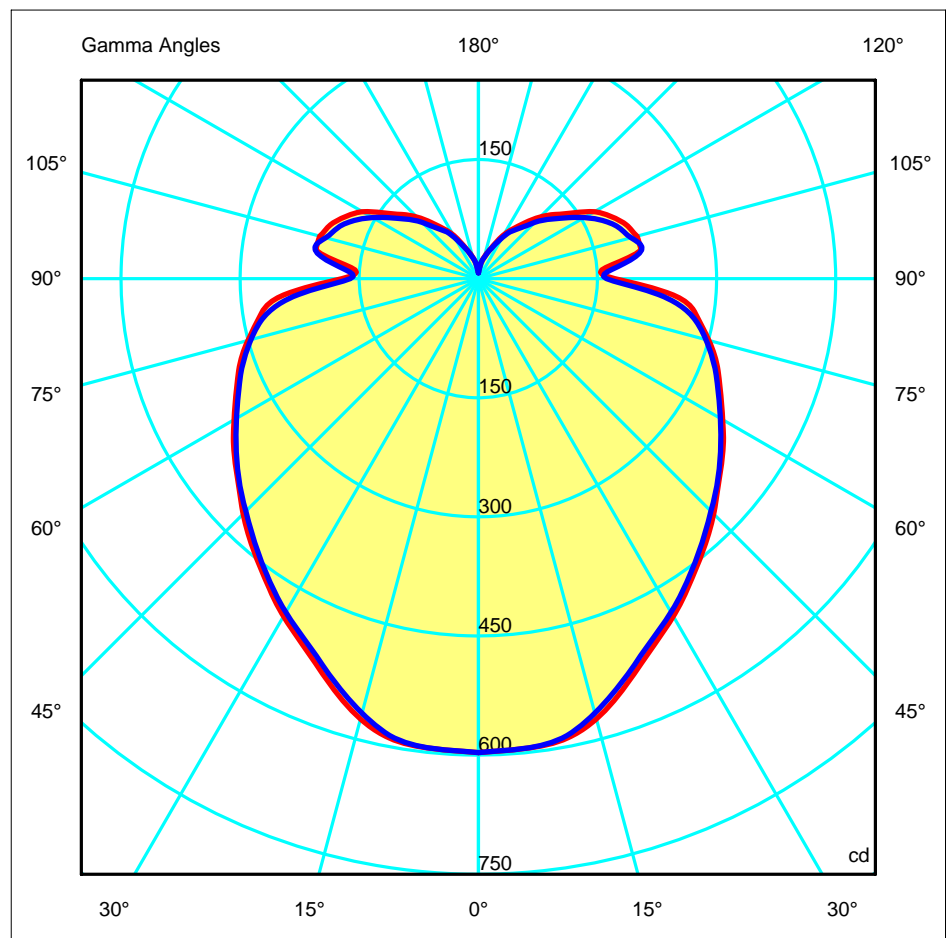
Luminaire Lamps						
Line	Code	Name	Flux [lm]	Pow. [W]	Q.ty	
- LEDS C4 LEDS	00-0002-BW-M3	Lampara led blanco 31W	3132.70	31.00	1	
C.I.E.	34 61 83 73 100	D DIN 5040		B21		
F UTE	0.73 H + 0.27 T	B NBN		BZ 6		

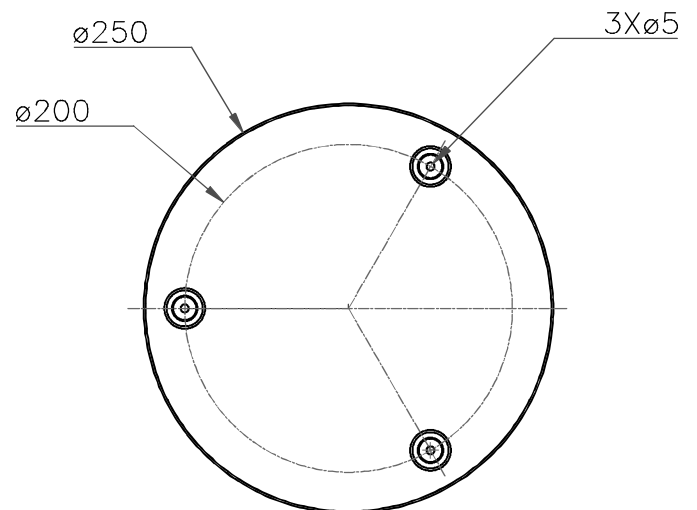
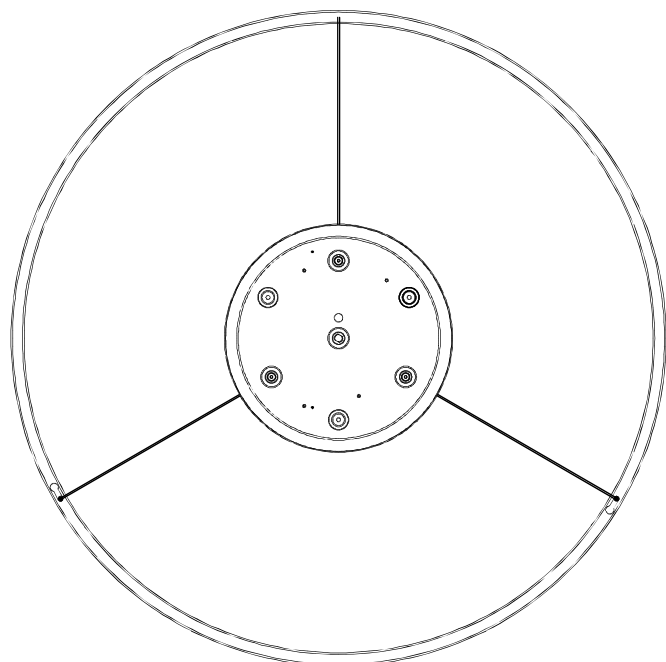
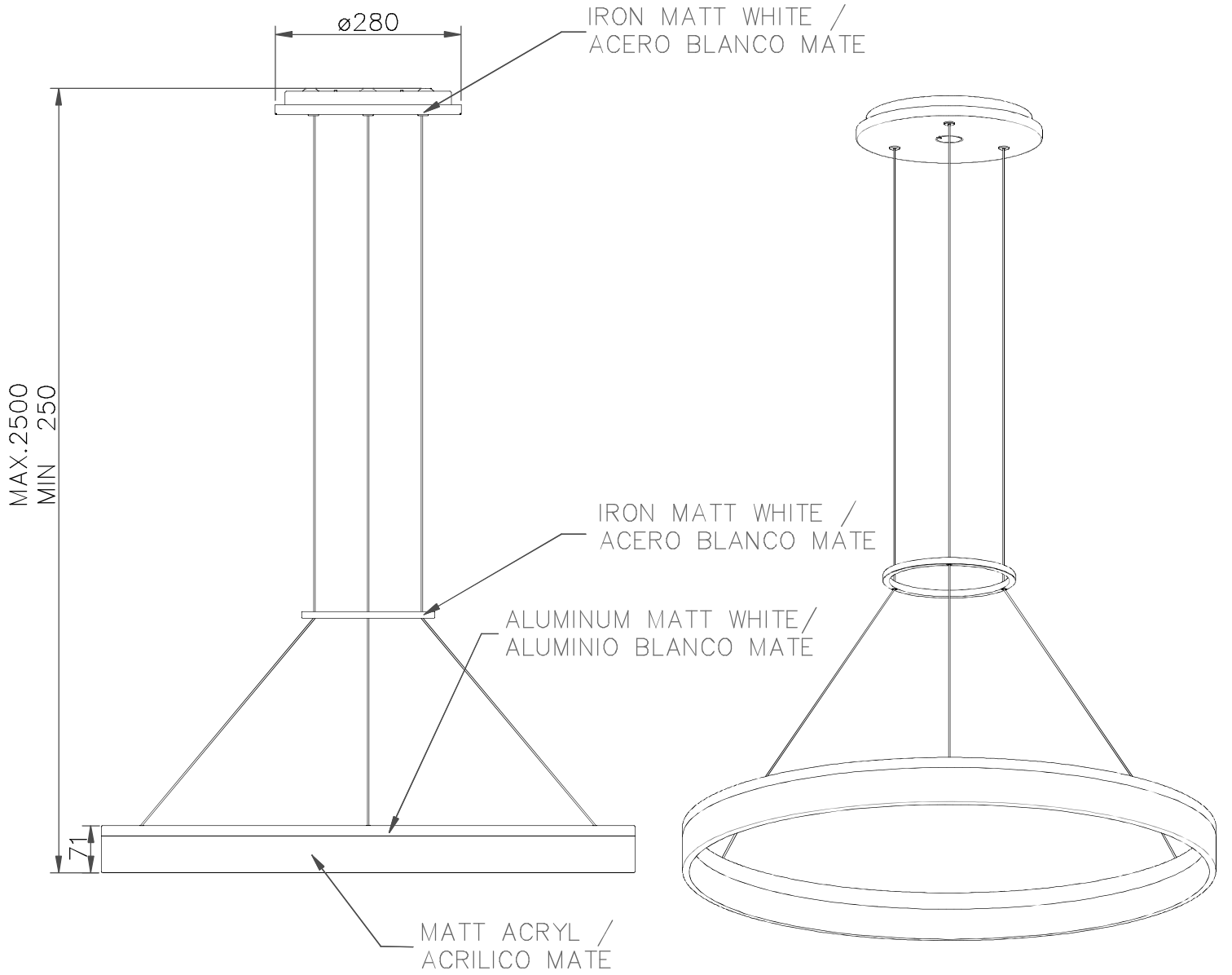
Diam=800mm



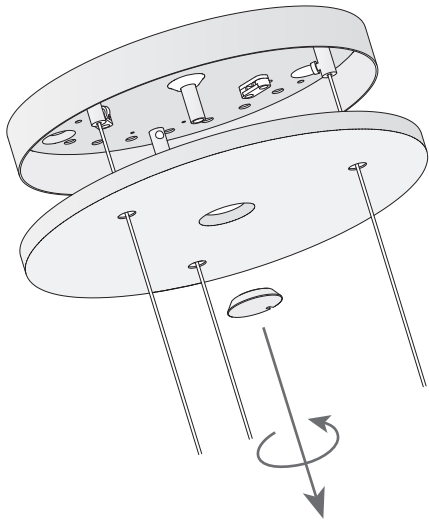
C Halfplanes  
 180.0 — 0.0  
 270.0 — 90.0

ULOR 27.19 %  
 DLOR 72.81 %  
 RN 27.19 %

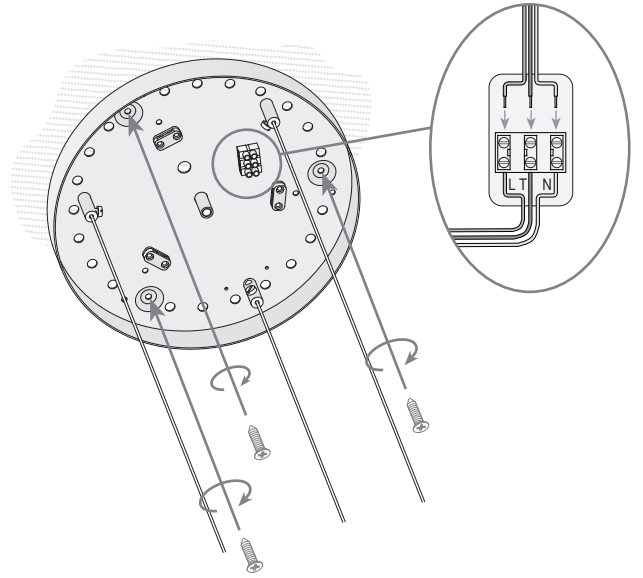




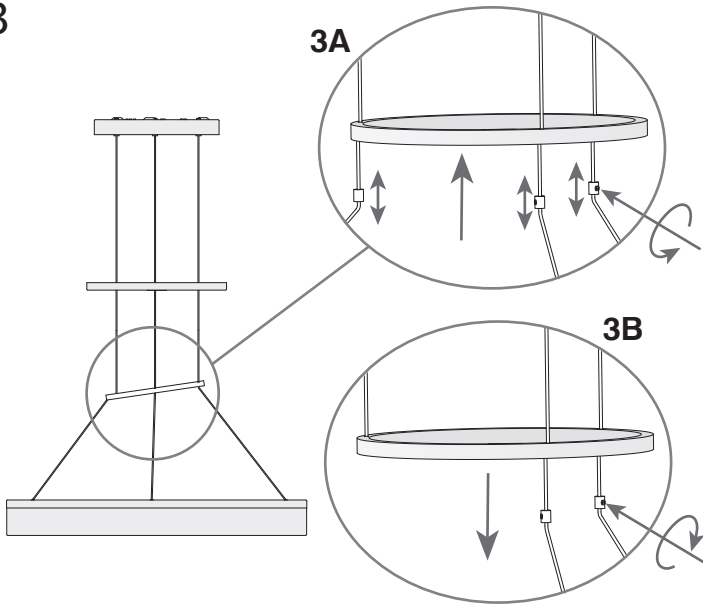
1



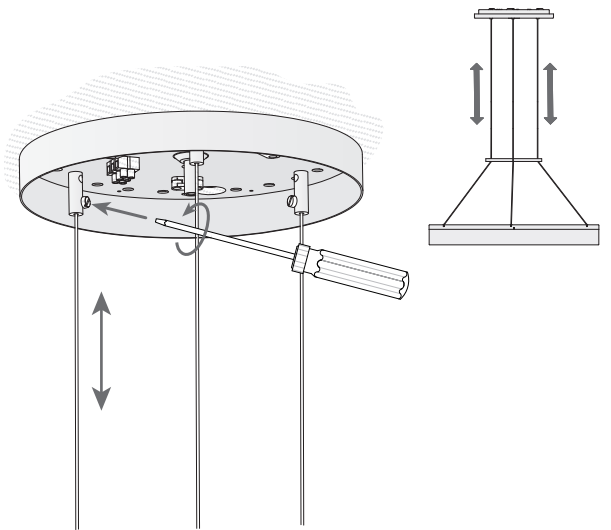
2



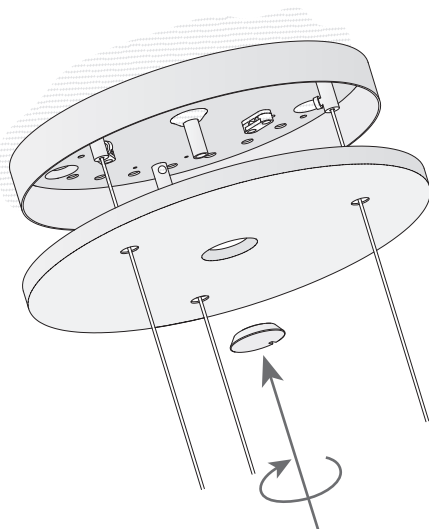
3



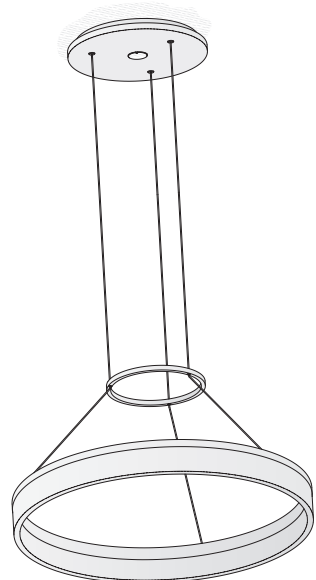
4



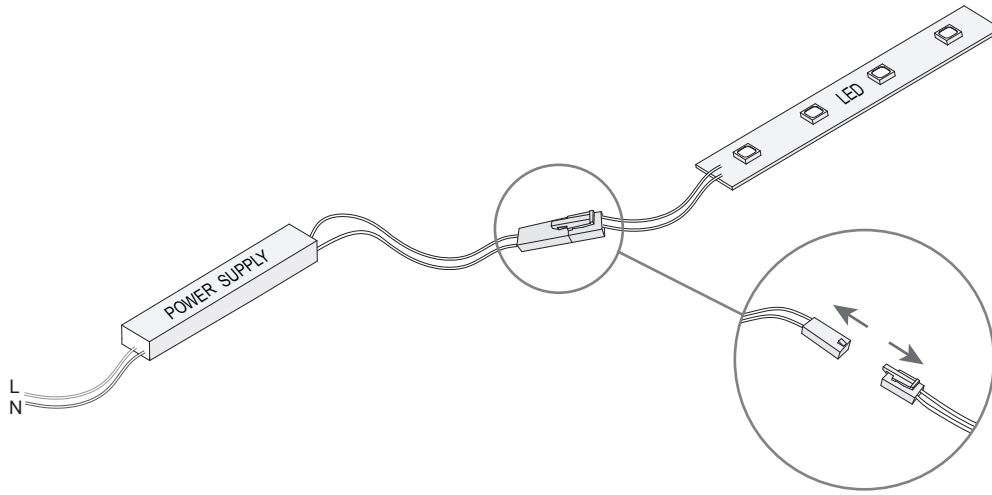
5



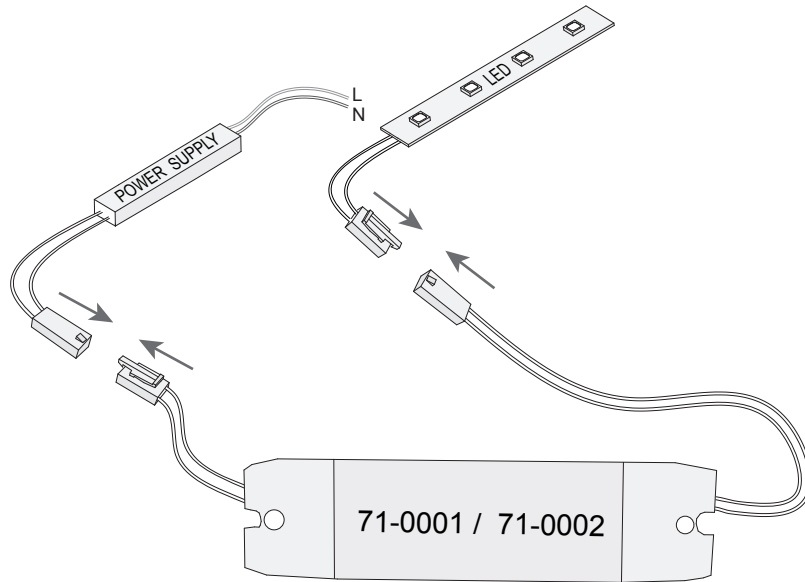
6



1



2



3

