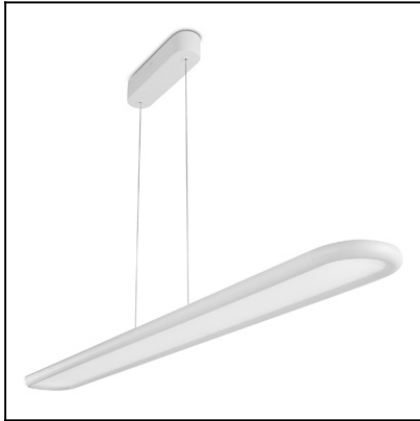
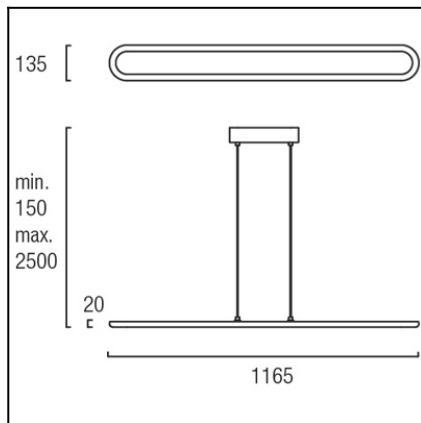


**Design by GROK Team**


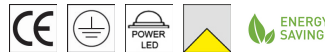
The photograph may not match the reference exactly. Please read the product description to identify the finish.



Download photometric file .ldt / .ies

**TECHNICAL CHARACTERISTICS**

Type:	Pendant
IP Protection degrees:	IP20
Bulb:	740 x LED Refond. Warm White - 3000K
Power (W):	43
Total power consumption (W):	60.9
Luminous efficacy (Lm/W):	111
CRI:	80
Voltage / Frequency:	100-240V/50-60Hz
Warranty (Years):	2
Option to extend the guarantee:	Yes, 5 years
Units per box:	1
Net Weight (Kg):	4.4
EAN:	8435111093061,00


**MATERIALS / FINISHES**

**Structure material:** Aluminium  
Steel

**Diffuser material:** Polystyrene

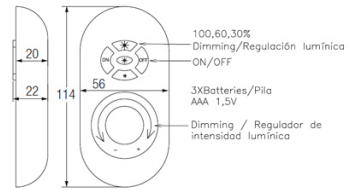
**Structure finish:** Matt white

**Diffuser finish:** Opal

**GEAR**

Gear included: Yes, electronic

71-2241-00-00

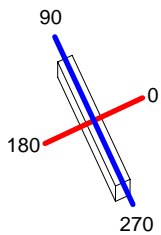


IP20

<b>Luminaire</b>		<b>Measur.</b>		<b>Lamp</b>		
Code	00-0779-BW-M1	Code	00-0779-BW-M1	Code	00-0779-BW-M1	
Name	Colgante led GROK 43W warm	Name	Colgante led GROK 43W warm	Number	1	
Line	- LEDS C4 LEDS	Date	08-03-2013	Position	Universal	
Efficiency	100.00%	Coordinate system	CG	Total Flux	2429.79 lm	
Maximum value	854.57 cd	Position	C=0.00 G=0.00	Double Symmetrical		
Rectangular Luminaire	Length	1160 mm	Width	135 mm	Height	21 mm
Rectangular Luminous Area	Length	1115 mm	Width	85 mm	Height	0 mm
Horizontal Luminous Area	0.094775 m2	Emitting area on Plane 180°		0.000000 m2		
Emitting area on Plane 0°	0.000000 m2	Emitting area on Plane 270°		0.000000 m2		
Emitting area on Plane 90°	0.000000 m2	Glare area at 76°		0.022928 m2		
Symmetry Type	Double Symmetrical	Maximum Gamma Angle	90			
Measurement Distance	6.44	Measurement Flux	2429.79 lm			
Operator	Asselum T2	Source voltage	230.00 V			
Temperature	21.00 °C	Source current	PRC			
Humidity	52.00 %	Photocell				
Notes						

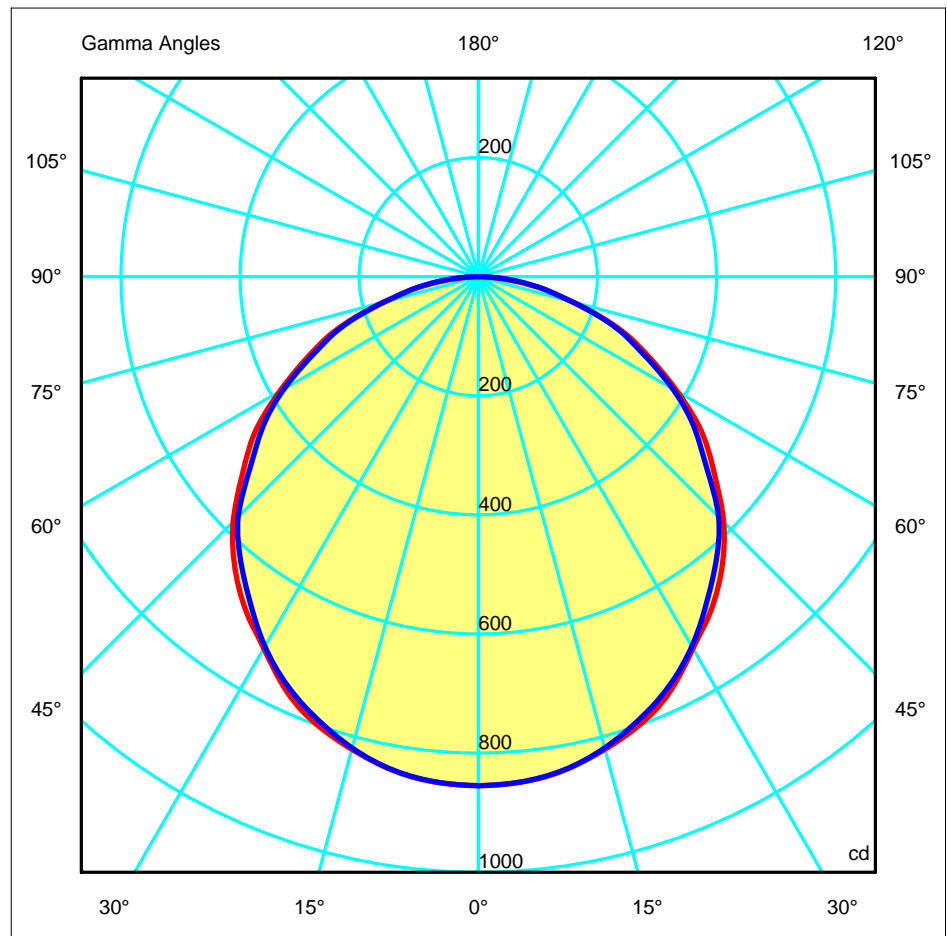
Luminaire Lamps					
Line	Code	Name	Flux [lm]	Pow. [W]	Q.ty
- LEDS C4 LEDS	00-0779-BW-M1	Lámpara led blanco cálido 43W	2429.79	43.00	1
C.I.E.	47 79 96 100 100	D DIN 5040	A30		
F UTE	1.00 E	B NBN	BZ 5 / 2 / BZ 4		

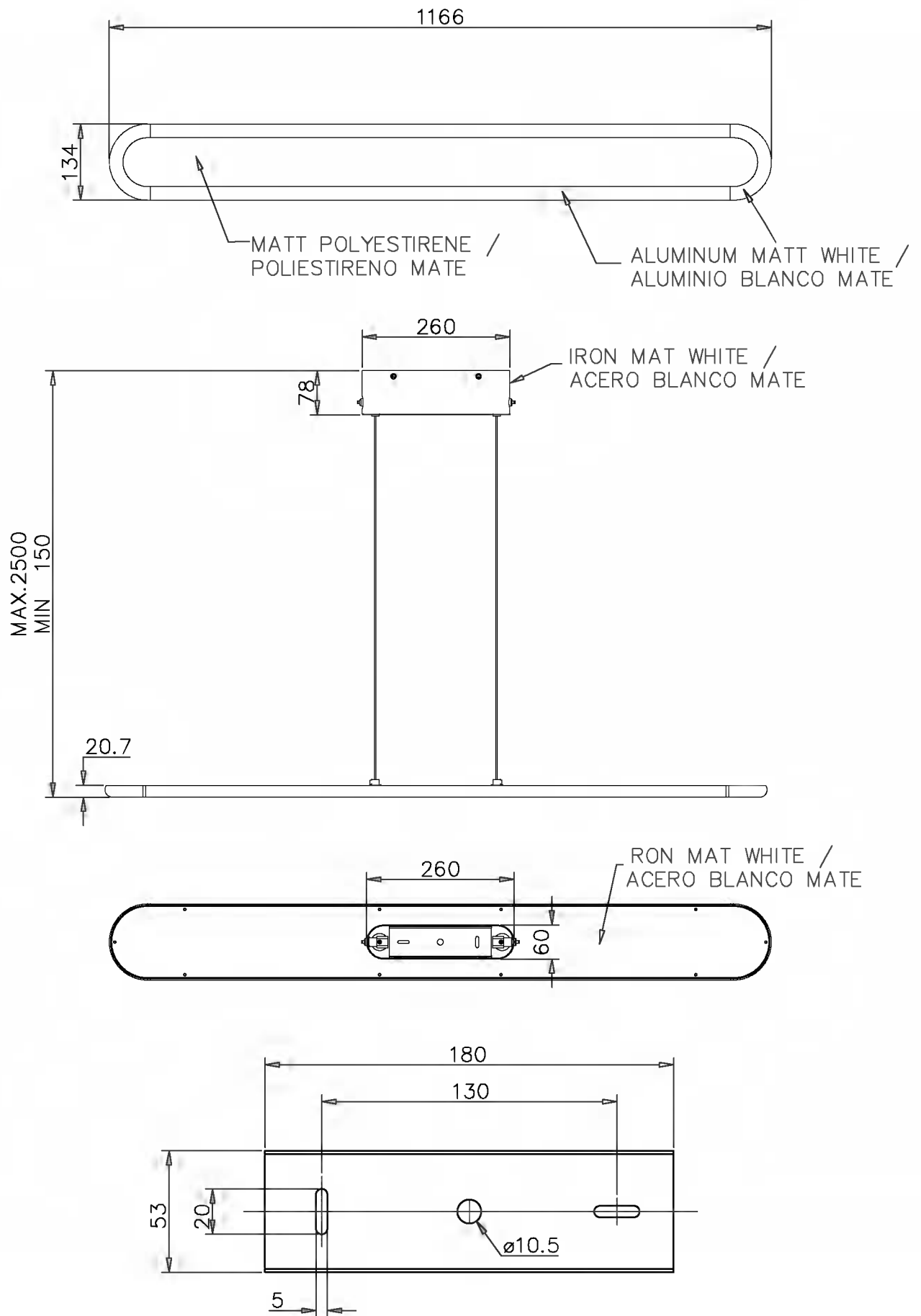
1160mm x 135mm



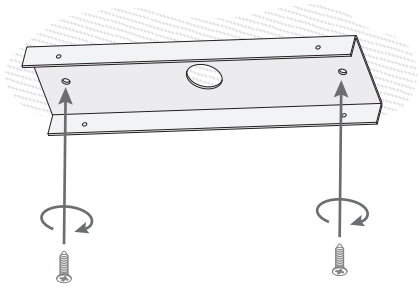
C Halfplanes  
 180.0 — 0.0  
 270.0 — 90.0

ULOR 0.00 %  
 DLOR 100.00 %  
 RN 0.00 %

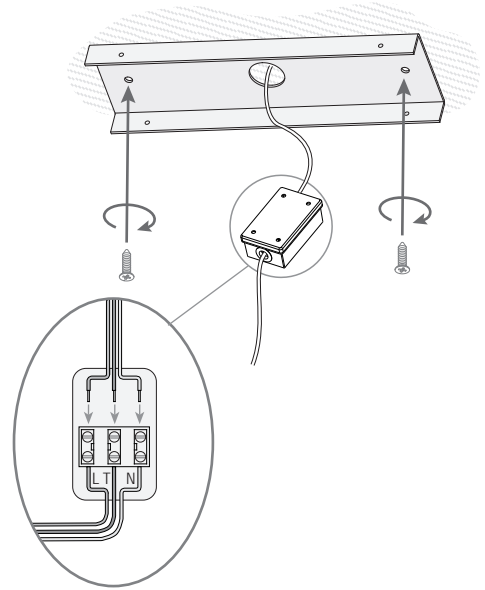




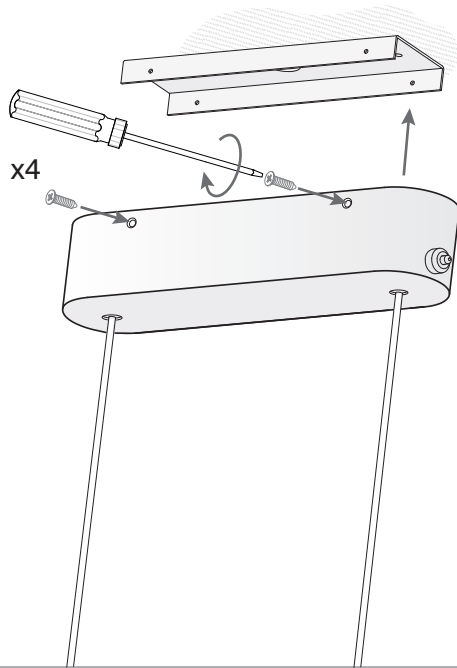
1



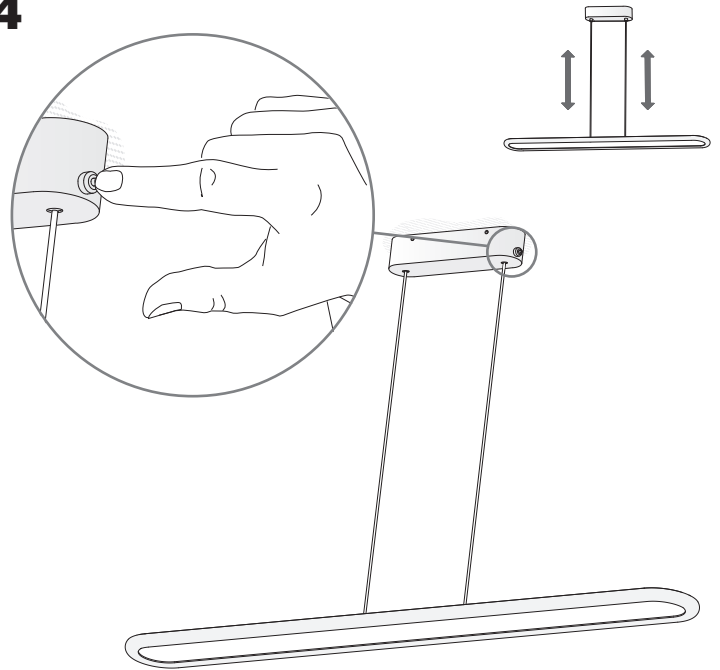
2



3



4



5

