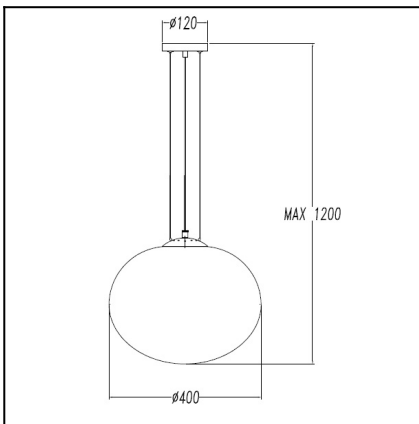




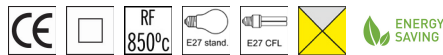
The photograph may not match the reference exactly. Please read the product description to identify the finish.



Download photometric file .ldt /.ies

### TECHNICAL CHARACTERISTICS

Type:	Pendant
Lampholder:	1 x E27 1 x E27
Power (W):	E27 100 E27 23
Total power consumption (W):	100
Voltage / Frequency:	220-240V/50-60Hz
Warranty (Years):	2
Units per box:	1
Net Weight (Kg):	2.02
EAN:	8,43511E+12



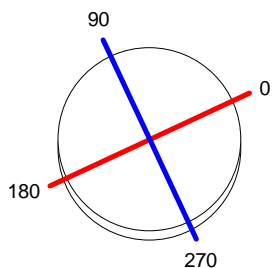
### MATERIALS / FINISHES

<b>Structure material:</b>	Steel	<b>Diffuser material:</b>	Glass
<b>Structure finish:</b>	Satin nickel	<b>Diffuser finish:</b>	Opal

Luminaire		Measur.		Lamp	
Code	00-1640-81-F9	Code	00-1640-81-F9	Code	TC-DSE 23W
Name	NIMES	Name	NIMES	Number	1
Line	Eulumdat	Date	17-11-2008	Position	
Efficiency	72.06%	Coordinate system	CG	Total Flux	1500.00 lm
Maximum value	101.77 cd	Position	C=90.00 G=75.00	Double Symmetrical	
Round Luminaire	Diam.	400 mm	Height	400 mm	
Round Luminous Area	Diam.	350 mm	Height	400 mm	
Horizontal Luminous Area	0.096211 m <sup>2</sup>	Emitting area on Plane 180°	0.140000 m <sup>2</sup>		
Emitting area on Plane 0°	0.140000 m <sup>2</sup>	Emitting area on Plane 270°	0.140000 m <sup>2</sup>		
Emitting area on Plane 90°	0.140000 m <sup>2</sup>	Glare area at 76°	0.159117 m <sup>2</sup>		
Symmetry Type	Double Symmetrical	Maximum Gamma Angle	180		
Measurement Distance	0.00	Measurement Flux	1500.00 lm		
Operator	OxyTech	Source voltage			
Temperature	25.00 °C	Source current			
Humidity	60.00 %	Photocell			
Notes					

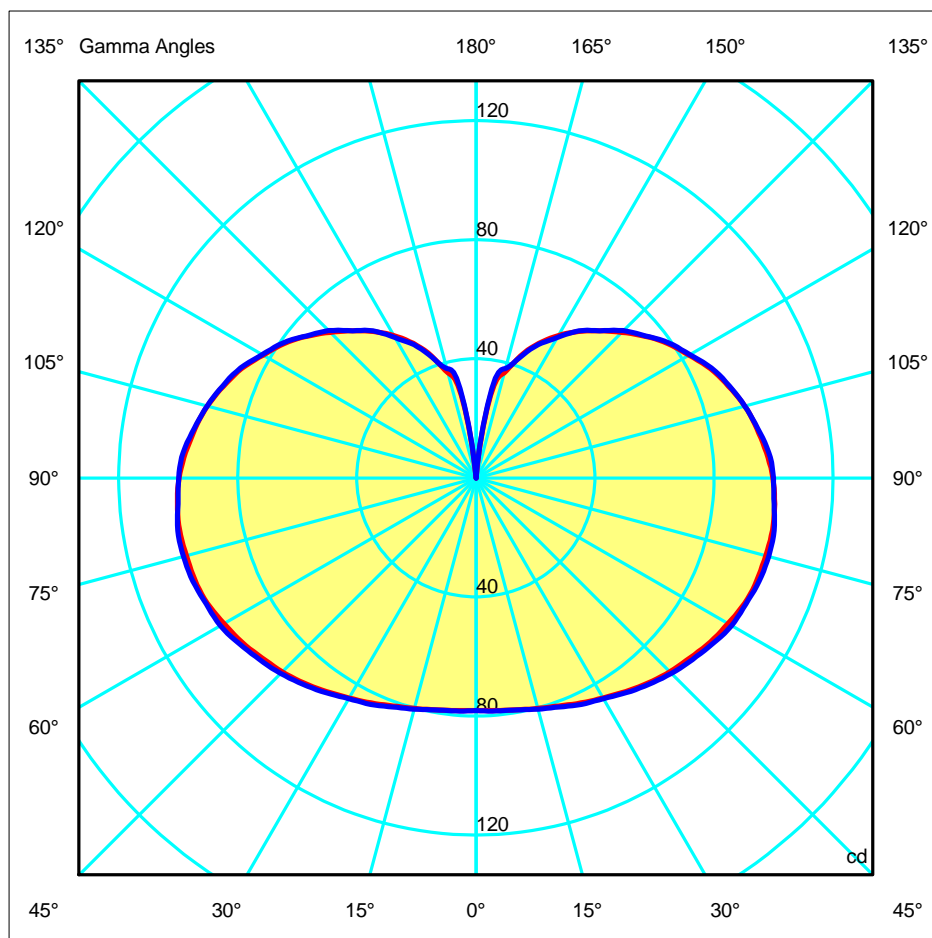
Luminaire Lamps					
Line	Code	Name	Flux [lm]	Pow. [W]	Q.ty
Eulumdat	TC-DSE 23W	TC-DSE 23W - 23.00 W	1500.00	23.00	1
C.I.E.	22 47 74 55 72	D DIN 5040	C11		
F UTE	0.40 J + 0.32 T	B NBN	BZ 9 / 0.8 / BZ 8 / 1 / BZ 9 / 2.5 / BZ 8		

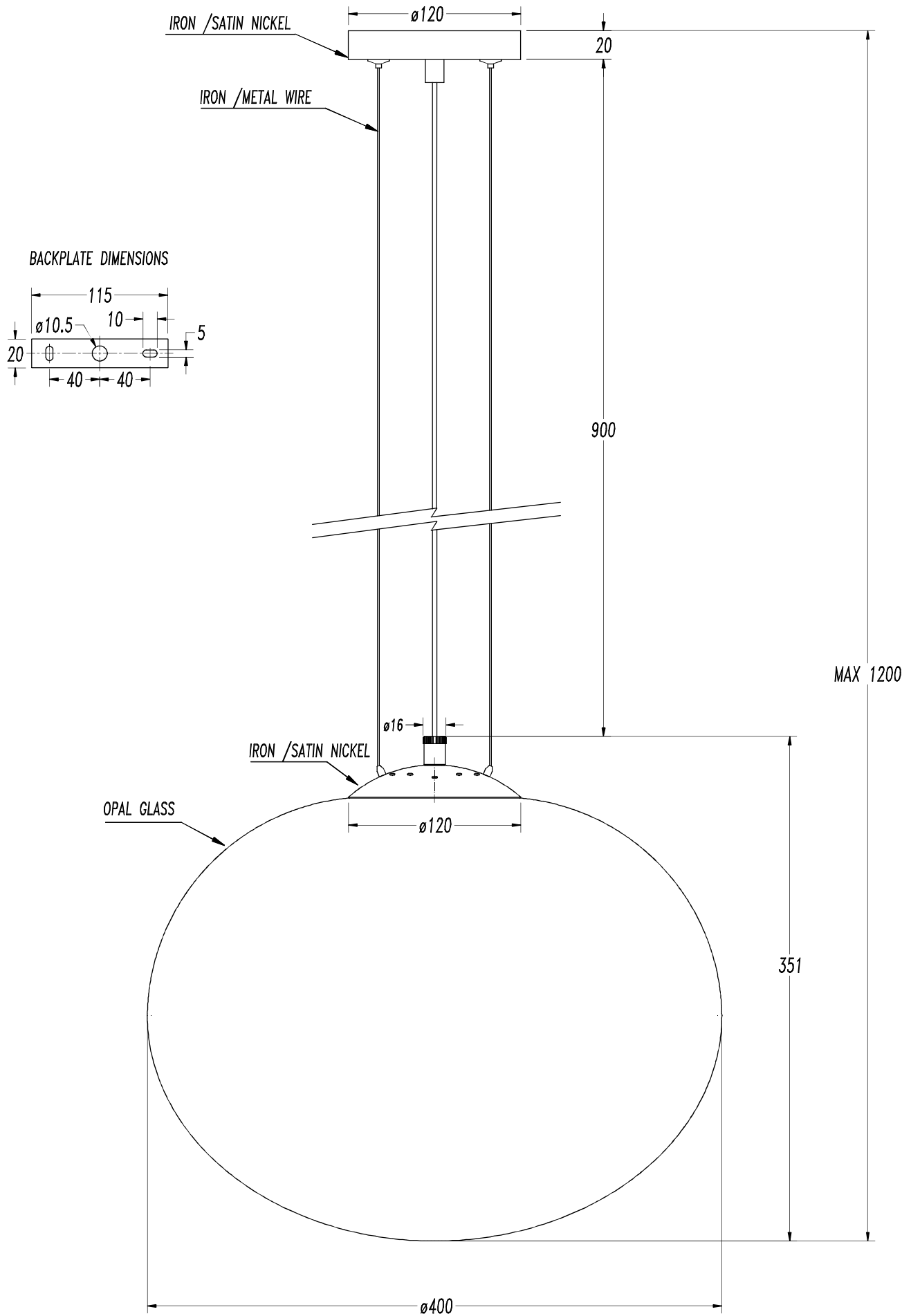
Diam=400mm



C Halfplanes  
 180.0 — 0.0  
 270.0 — 90.0

ULOR 32.27 %  
 DLOR 39.79 %  
 RN 44.78 %



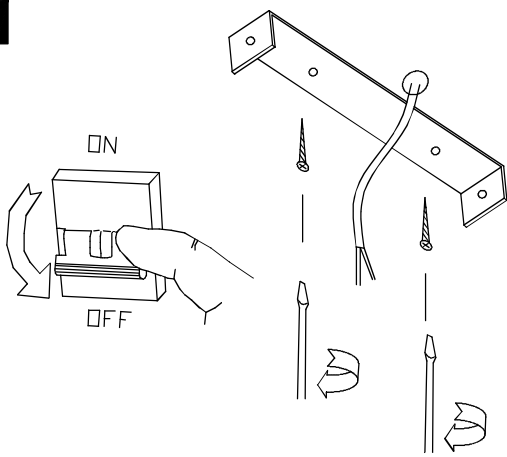




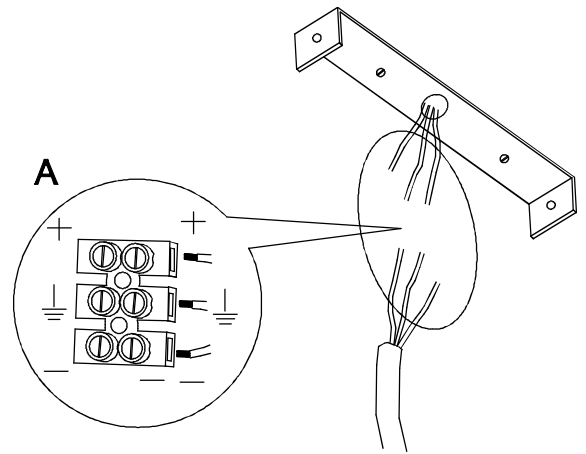
LED S-C4

IMC 00-1640

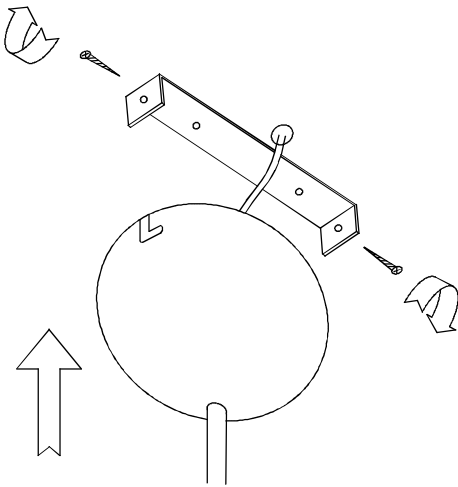
1



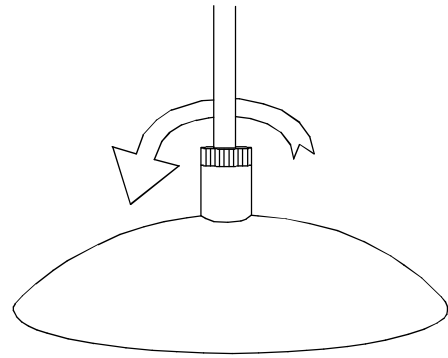
2



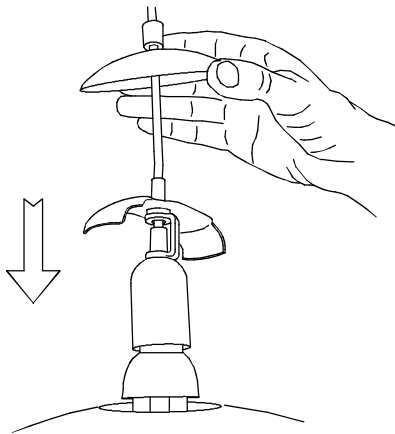
3



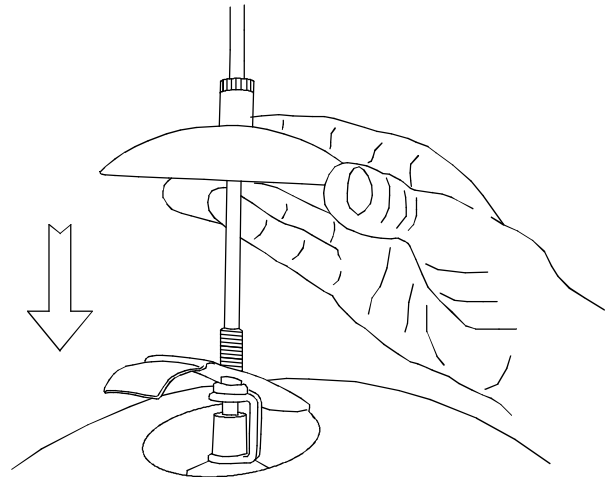
4



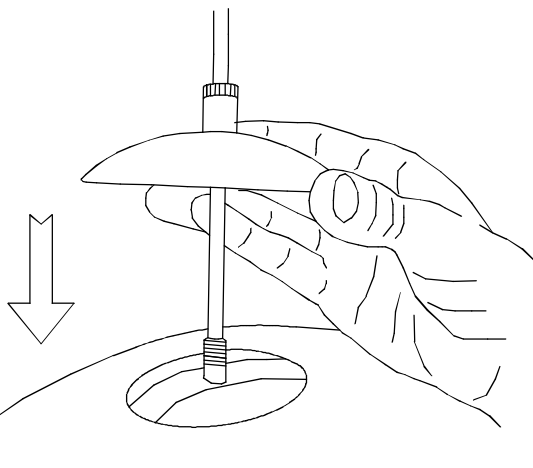
5



6



7



8

