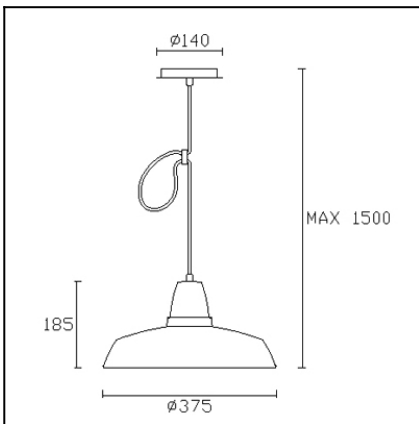




The photograph may not match the reference exactly. Please read the product description to identify the finish.



Download photometric file .ldt /.ies

TECHNICAL CHARACTERISTICS

Type:	Pendant
IP Protection degrees:	IP20
Lampholder:	1 x E27
Power (W):	E27 100W
Total power consumption (W):	100
Voltage / Frequency:	220-240V/50-60Hz
Warranty (Years):	2
Units per box:	3
Net Weight (Kg):	1.365
EAN:	8435381404796,00



MATERIALS / FINISHES

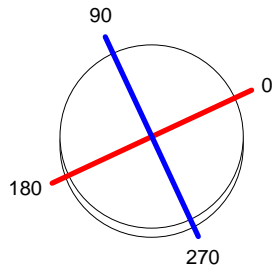
Structure material: Steel

Structure finish: Old brown
Golden amber

Luminaire		Measur.		Lamp	
Code	00-1799-S4-CG	Code	00-1799-S4-CG	Code	STANDAR GOC 100W O
Name	Colgante 1x100W E27 inc	Name	Colgante 1x100W E27 inc	Number	1
Line	- LEDS-C4	Date	14-11-2013	Position	Universal
Efficiency	62.42%	Coordinate system	CG	Total Flux	1340.00 lm
Maximum value	304.78 cd	Position	C=0.00 G=0.00	Double Symmetrical	
Round Luminaire	Diam.	375 mm	Height	185 mm	
Round Luminous Area	Diam.	365 mm	Height	0 mm	
Horizontal Luminous Area	0.104635 m2	Emitting area on Plane 180°	0.000000 m2	Emitting area on Plane 270°	0.000000 m2
Emitting area on Plane 0°	0.000000 m2	Glare area at 76°	0.025313 m2		
Emitting area on Plane 90°	0.000000 m2				
Symmetry Type	Double Symmetrical	Maximum Gamma Angle	90		
Measurement Distance	6.44	Measurement Flux	1209.00 lm		
Operator	Asselum T2	Source voltage	230.00 V		
Temperature	21.00 °C	Source current			
Humidity	51.00 %	Photocell	PRC		
Notes					

Luminaire Lamps						
Line	Code	Name	Flux [lm]	Pow. [W]	Q.ty	
PHILIPS 2005 ILCOS IA,IB,IC	STANDAR GOC 100W O	STANDAR GOCCIA 100W E27 OPALE	1340.00	100.00	1	
C.I.E.	43 80 98 100 62	D DIN 5040	A30			
F UTE	0.62 E	B NBN	BZ 5 / 1.5 / BZ 4			

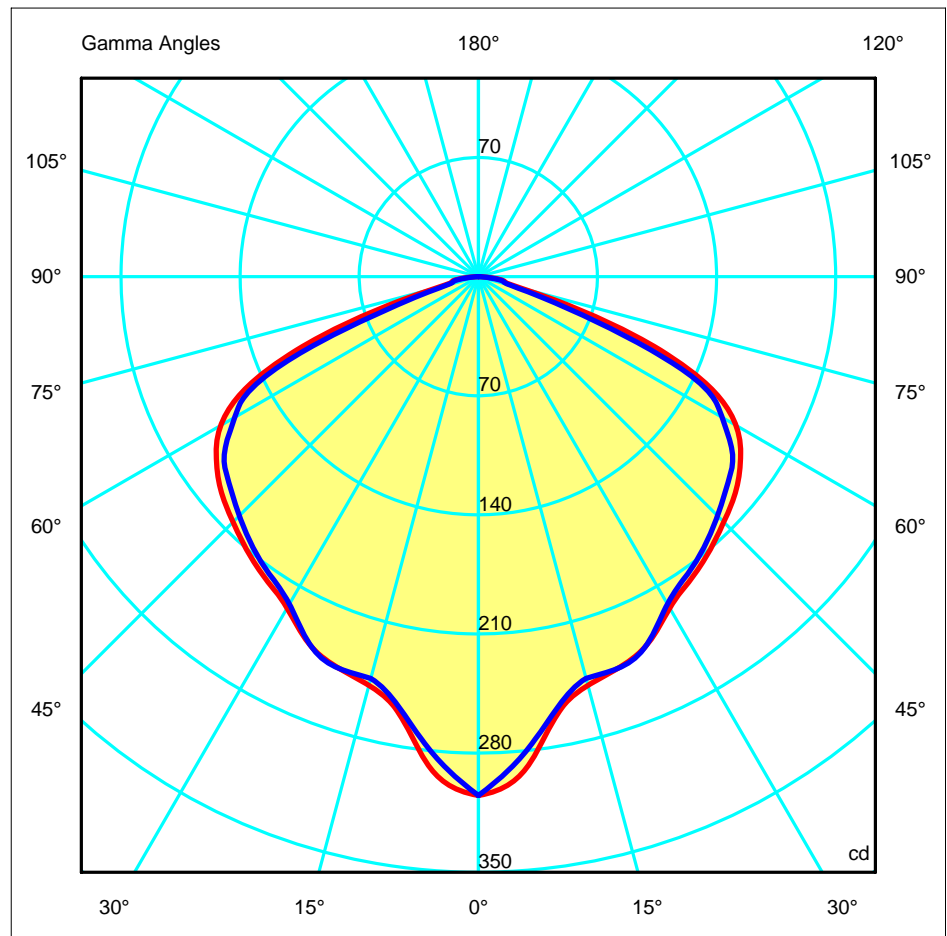
Diam=375mm

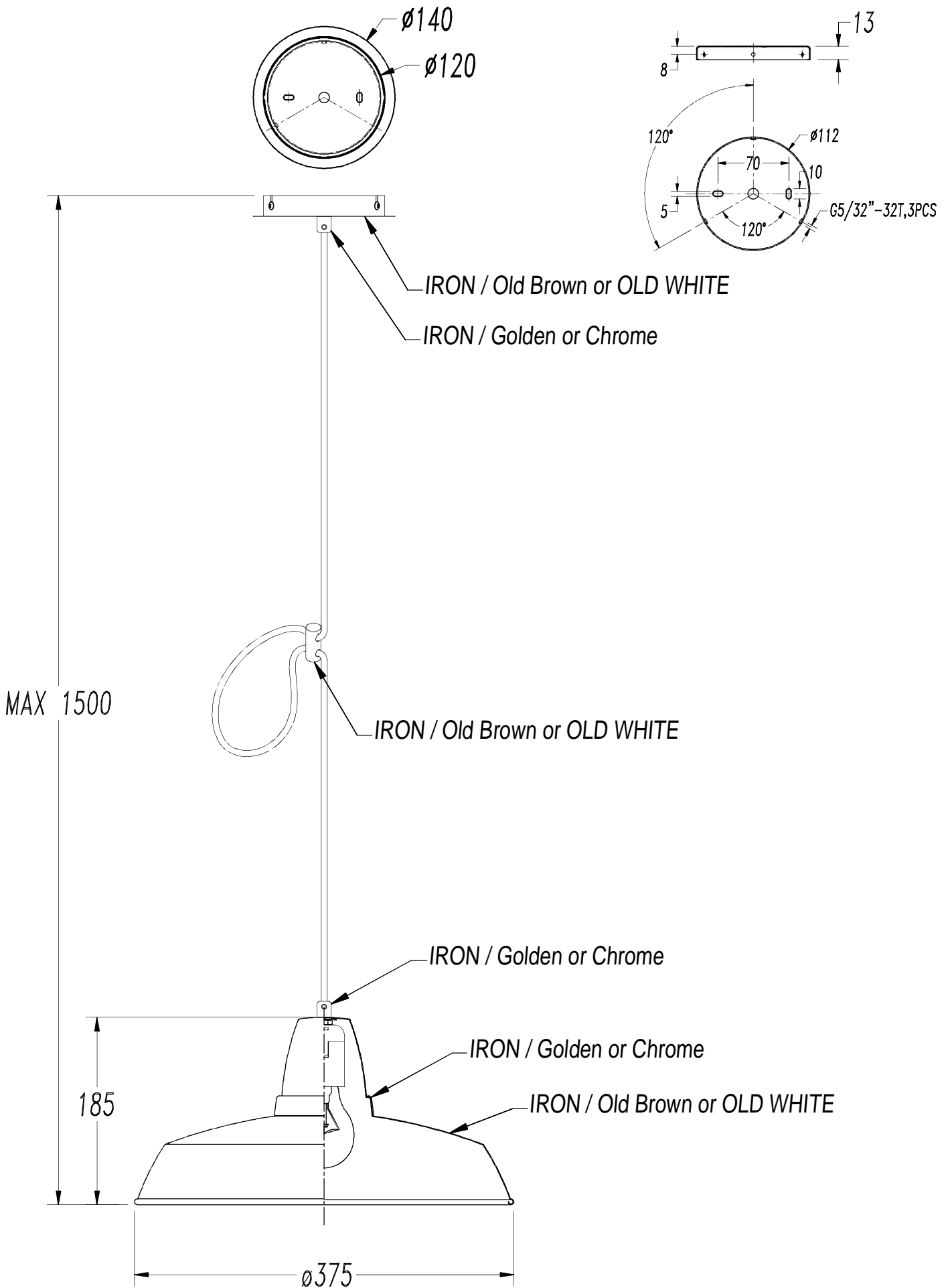


C Halfplanes

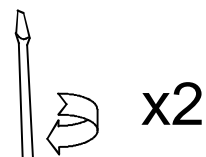
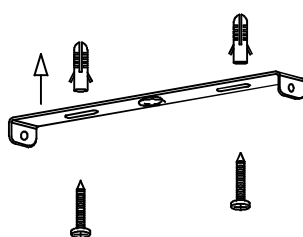
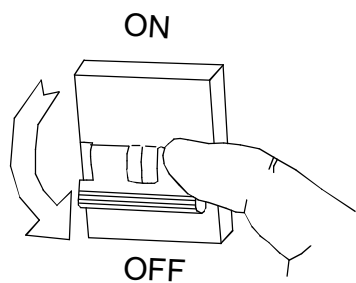
180.0 — 0.0
270.0 — 90.0

ULOR 0.00 %
DLOR 62.42 %
RN 0.00 %

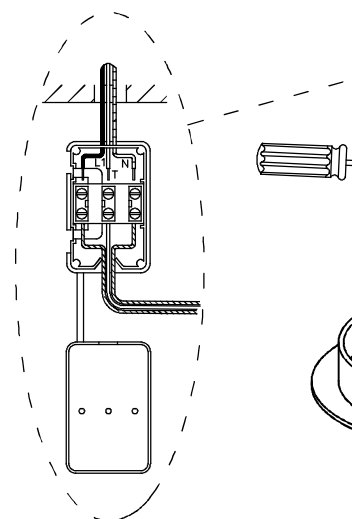




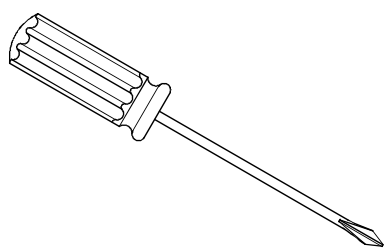
1



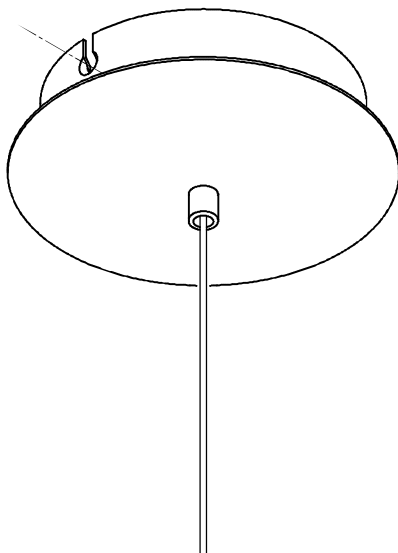
2



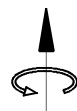
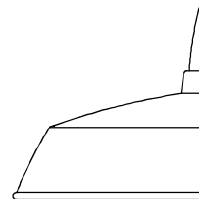
3



x2



4



5