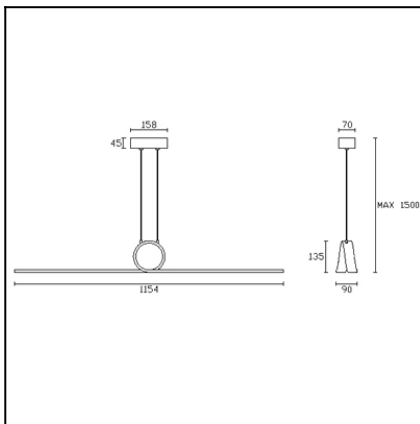




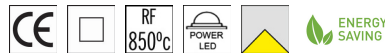
The photograph may not match the reference exactly. Please read the product description to identify the finish.



Download photometric file .ldt / .ies

TECHNICAL CHARACTERISTICS

Type:	Pendant
IP Protection degrees:	IP20
Bulb:	8 x LED Cree. Warm White - 3000K
Power (W):	24
Total power consumption (W):	24
Luminous efficacy (Lm/W):	62.5
CRI:	80
Voltage / Frequency:	100-240V/50-60Hz
Warranty (Years):	2
Option to extend the guarantee:	Yes, 5 years
Units per box:	4
Net Weight (Kg):	1.25
EAN:	8435381404932,00


MATERIALS / FINISHES

Structure material: Aluminium
Steel

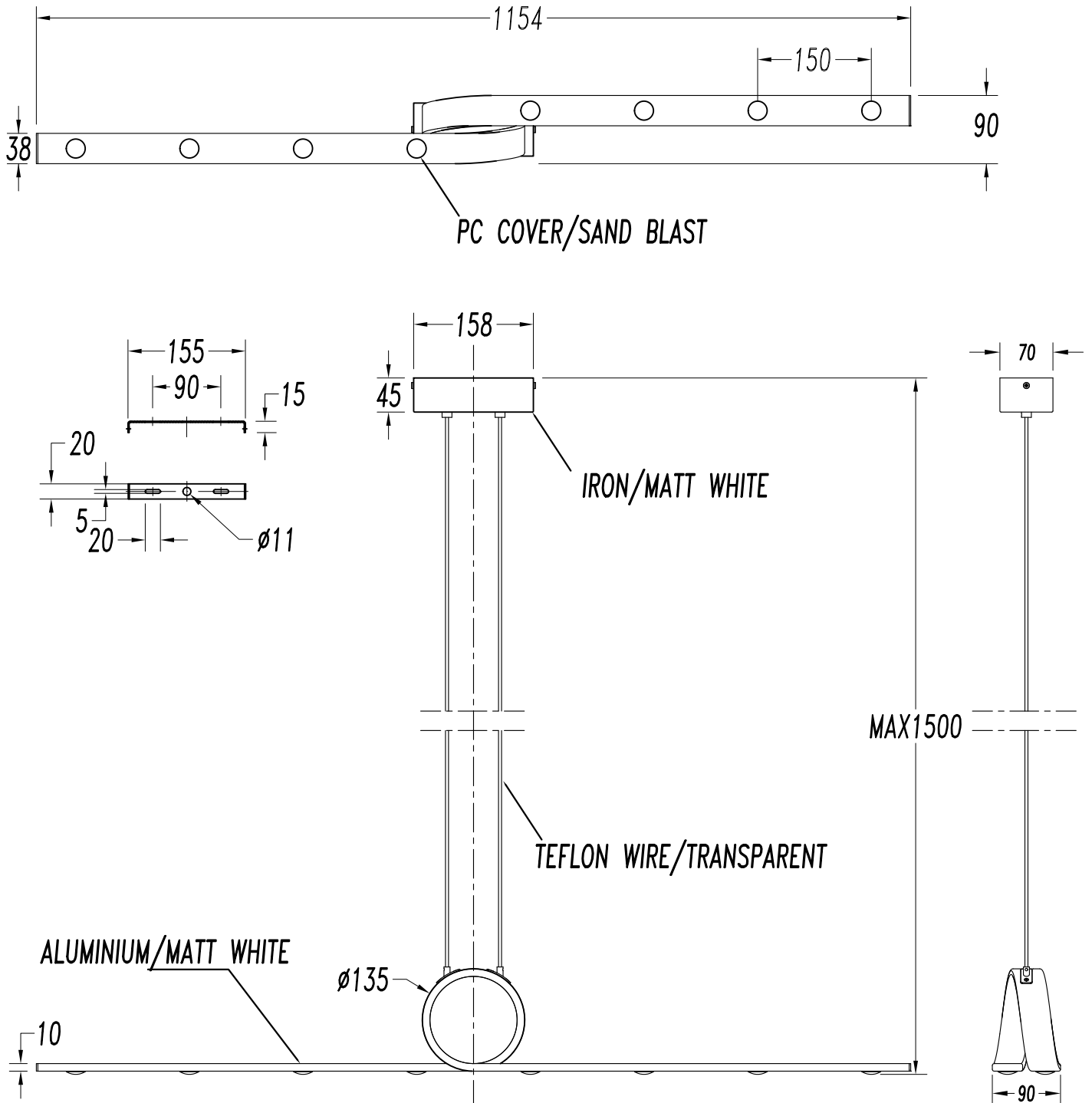
Diffuser material: Polycarbonate

Structure finish: Matt white
Matt white

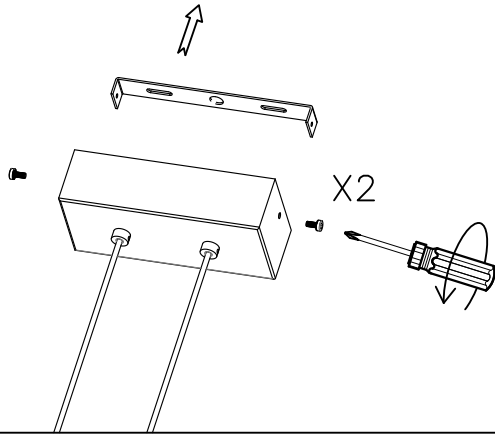
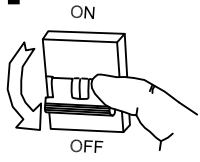
Diffuser finish: Tinted

GEAR

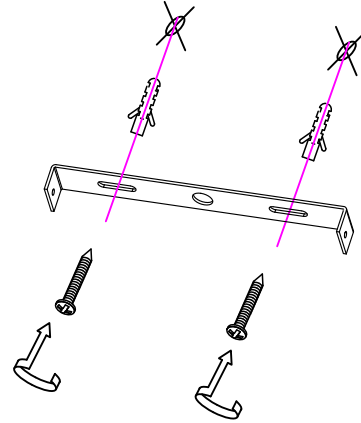
Multi-voltage electronic gear included (110-240 V / 50-60 Hz)



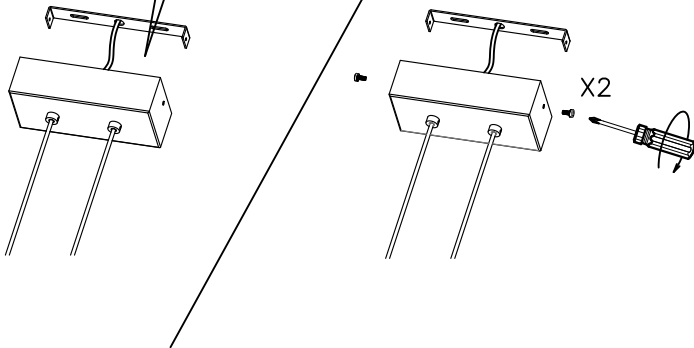
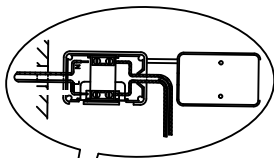
1



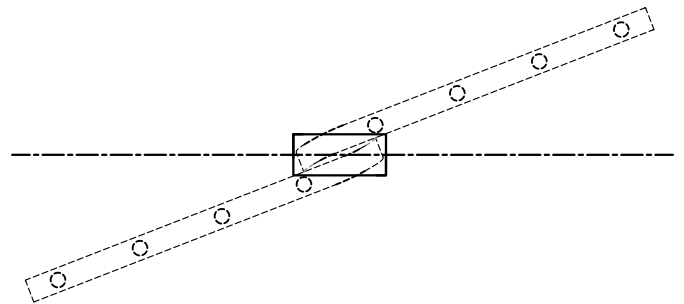
2



3

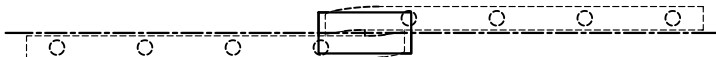
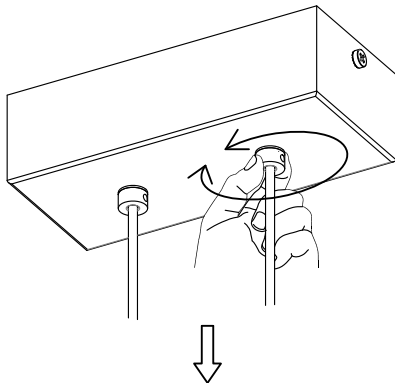


4



NO

5



OK

6

