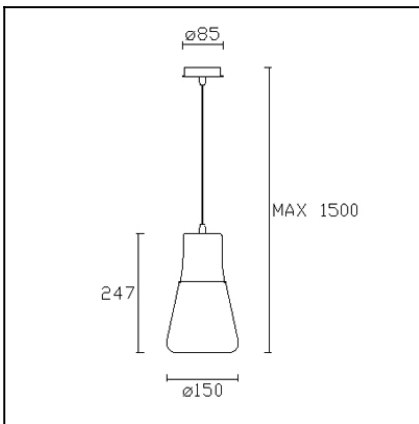




The photograph may not match the reference exactly. Please read the product description to identify the finish.



Download photometric file .ldt /.ies

### TECHNICAL CHARACTERISTICS

Type:	Pendant
IP Protection degrees:	IP20
Lampholder:	1 x E27
Power (W):	E27 60
Total power consumption (W):	60
Voltage / Frequency:	220-240V/50-60Hz
Warranty (Years):	2
Units per box:	6
Net Weight (Kg):	0.92
EAN:	8435381404925,00



### MATERIALS / FINISHES

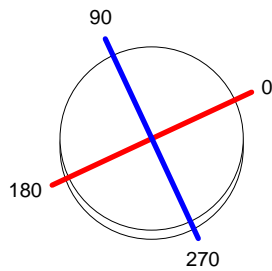
**Structure material:** Steel  
**Structure finish:** Matt white

**Diffuser material:** Glass  
**Diffuser finish:** Opal

Luminaire		Measur.		Lamp	
Code	00-2018-14-F9	Code	00-2018-14-F9	Code	STANDARD S 60W E27
Name	Colgante 1L Blanco 1x60W E27	Name	Colgante 1L Blanco 1x60W E27	Number	1
Line	- LEDS-C4	Date	14-12-2013	Position	Universal
Efficiency	59.89%	Coordinate system	CG	Total Flux	640.00 lm
Maximum value	75.30 cd	Position	C=0.00 G=0.00	Double Symmetrical	
Round Luminaire	Diam.	250 mm	Height	150 mm	
Round Luminous Area	Diam.	150 mm	Height	150 mm	
Horizontal Luminous Area	0.017671 m2	Emitting area on Plane 180°	0.022500 m2		
Emitting area on Plane 0°	0.022500 m2	Emitting area on Plane 270°	0.022500 m2		
Emitting area on Plane 90°	0.022500 m2	Glare area at 76°	0.026107 m2		
Symmetry Type	Double Symmetrical	Maximum Gamma Angle	180		
Measurement Distance	6.44	Measurement Flux	630.00 lm		
Operator	Asselum	Source voltage	230.00 V		
Temperature	22.00 °C	Source current			
Humidity	50.00 %	Photocell	PRC		
Notes					

Luminaire Lamps						
Line	Code	Name	Flux [lm]	Pow. [W]	Q.ty	
PHILIPS 2005 ILCOS IA,IB,IC	STANDARD S 60W E27	STANDARD SFER 60W E27 CHIARA	640.00	60.00	1	
C.I.E.	35 56 78 58 60	D DIN 5040				
F UTE	0.35 H + 0.25 T	B NBN				
		C21				
		BZ 6 / 1.25 / BZ 7				

Diam=250mm



C Halfplanes

180.0 — 0.0  
270.0 — 90.0

ULOR 25.16 %  
DLOR 34.73 %  
RN 42.01 %

