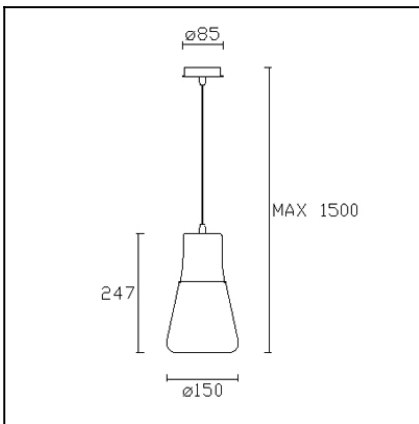




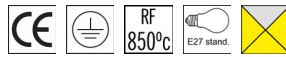
The photograph may not match the reference exactly. Please read the product description to identify the finish.



Download photometric file .ldt /.ies

TECHNICAL CHARACTERISTICS

| | |
|------------------------------|------------------|
| Type: | Pendant |
| IP Protection degrees: | IP20 |
| Lampholder: | 1 x E27 |
| Power (W): | E27 60 |
| Total power consumption (W): | 60 |
| Voltage / Frequency: | 220-240V/50-60Hz |
| Warranty (Years): | 2 |
| Units per box: | 6 |
| Net Weight (Kg): | 0.92 |
| EAN: | 8435381404918,00 |



MATERIALS / FINISHES

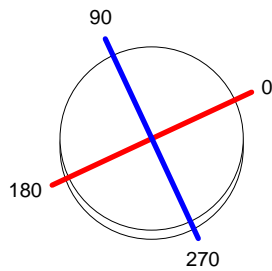
Structure material: Steel
Structure finish: Chrome

Diffuser material: Glass
Diffuser finish: Opal

| Luminaire | | Measur. | | Lamp | |
|----------------------------|------------------------------|-----------------------------|------------------------------|--------------------|--------------------|
| Code | 00-2018-14-F9 | Code | 00-2018-14-F9 | Code | STANDARD S 60W E27 |
| Name | Colgante 1L Blanco 1x60W E27 | Name | Colgante 1L Blanco 1x60W E27 | Number | 1 |
| Line | - LEDS-C4 | Date | 14-12-2013 | Position | Universal |
| Efficiency | 59.89% | Coordinate system | CG | Total Flux | 640.00 lm |
| Maximum value | 75.30 cd | Position | C=0.00 G=0.00 | Double Symmetrical | |
| Round Luminaire | Diam. | 250 mm | Height | 150 mm | |
| Round Luminous Area | Diam. | 150 mm | Height | 150 mm | |
| Horizontal Luminous Area | 0.017671 m2 | Emitting area on Plane 180° | 0.022500 m2 | | |
| Emitting area on Plane 0° | 0.022500 m2 | Emitting area on Plane 270° | 0.022500 m2 | | |
| Emitting area on Plane 90° | 0.022500 m2 | Glare area at 76° | 0.026107 m2 | | |
| Symmetry Type | Double Symmetrical | Maximum Gamma Angle | 180 | | |
| Measurement Distance | 6.44 | Measurement Flux | 630.00 lm | | |
| Operator | Asselum | Source voltage | 230.00 V | | |
| Temperature | 22.00 °C | Source current | | | |
| Humidity | 50.00 % | Photocell | PRC | | |
| Notes | | | | | |

| Luminaire Lamps | | | | | | |
|-----------------------------|--------------------|------------------------------|-----------|----------|------|--|
| Line | Code | Name | Flux [lm] | Pow. [W] | Q.ty | |
| PHILIPS 2005 ILCOS IA,IB,IC | STANDARD S 60W E27 | STANDARD SFER 60W E27 CHIARA | 640.00 | 60.00 | 1 | |
| C.I.E. | 35 56 78 58 60 | D DIN 5040 | | | | |
| F UTE | 0.35 H + 0.25 T | B NBN | | | | |
| | | C21 | | | | |
| | | BZ 6 / 1.25 / BZ 7 | | | | |

Diam=250mm



C Halfplanes

180.0 — 0.0
270.0 — 90.0

ULOR 25.16 %
DLOR 34.73 %
RN 42.01 %

