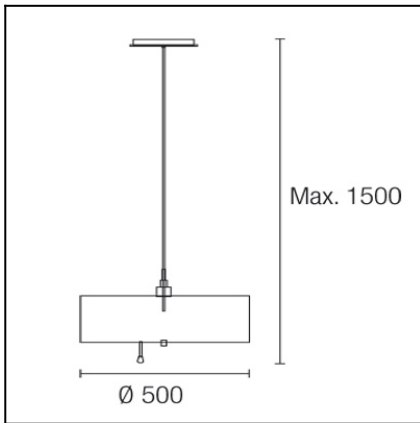


Design by Estudi Ribaudí



The photograph may not match the reference exactly. Please read the product description to identify the finish.



### TECHNICAL CHARACTERISTICS

Type:	Pendant
IP Protection degrees:	IP20
Lampholder:	1 x E27 1 x E27
Power (W):	E27 150 E27 23
Bulb included:	1 x E27 MAX 150W 1 x E27
Total power consumption (W):	150
Voltage / Frequency:	220-240V/50-60Hz
Warranty (Years):	2
Units per box:	1
Net Weight (Kg):	6
EAN:	8435111059692,00



### MATERIALS / FINISHES

**Structure material:** Steel

**Diffuser material:** Fabric shade  
Glass

**Structure finish:** Satin nickel

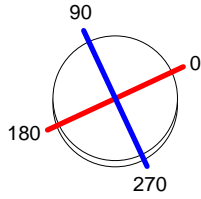
**Diffuser finish:** Opera grey  
Tinted

Download photometric file .ldt / .ies

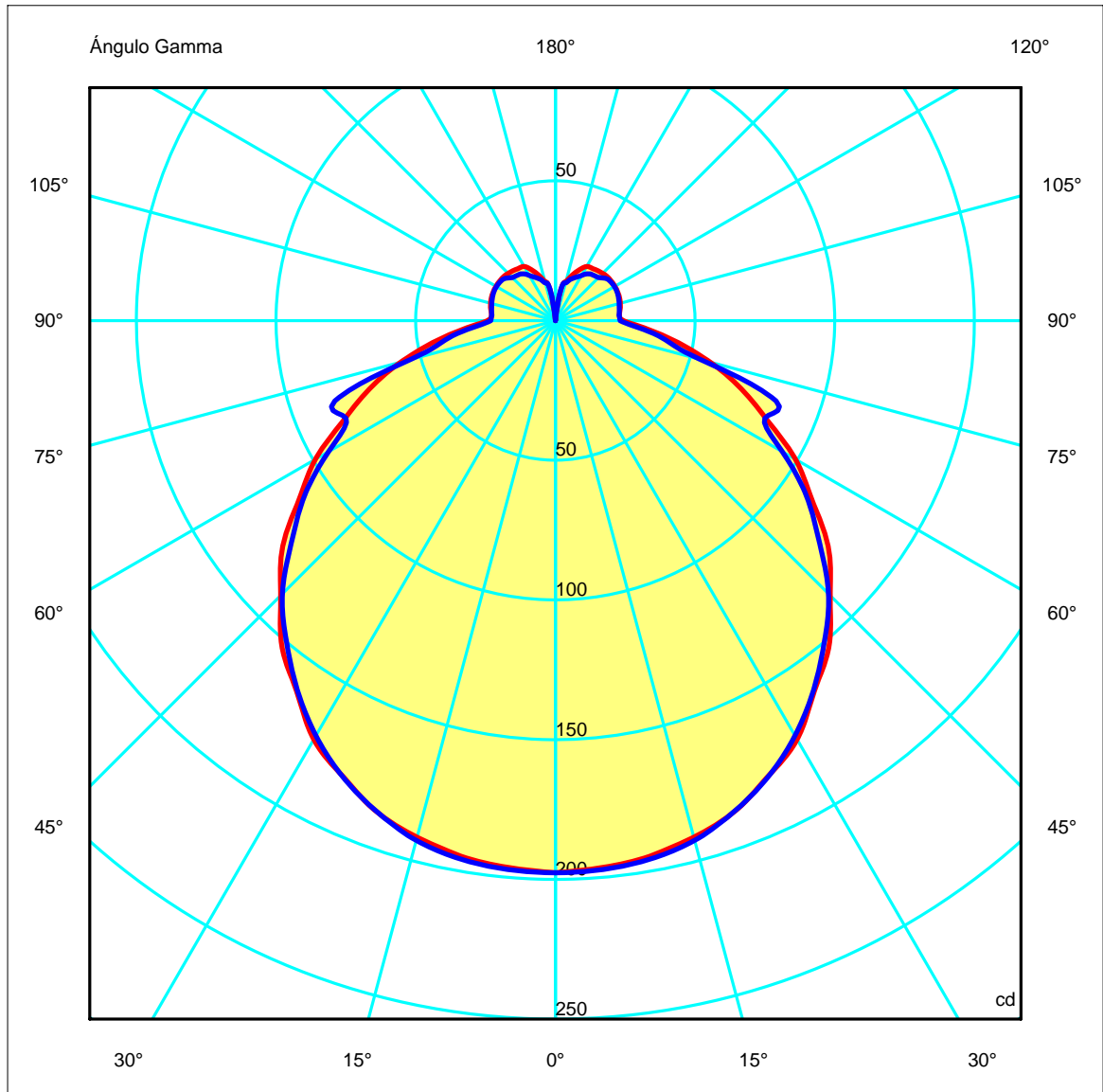
<b>Luminaria</b>		<b>Ensayo</b>		<b>Lámpara</b>	
Código	00-2713-81-AJ	Código	00-2713-81-AJ	Código	64478
Nombre	Colgan UP & DOWN 150W E27 opal	Nombre	Colgan UP & DOWN 150W E27 opal	Número	1
Familia	- LEDS-C4	Fecha	14-09-2010	Posición	Universal
Eficiencia	31.16%	Sist. de Coorden.	C-G	Flujo Total	2500.00 lm
Valor Máximo	197.60 cd	Posición	C=0.00 G=0.00	Bisimétrico	

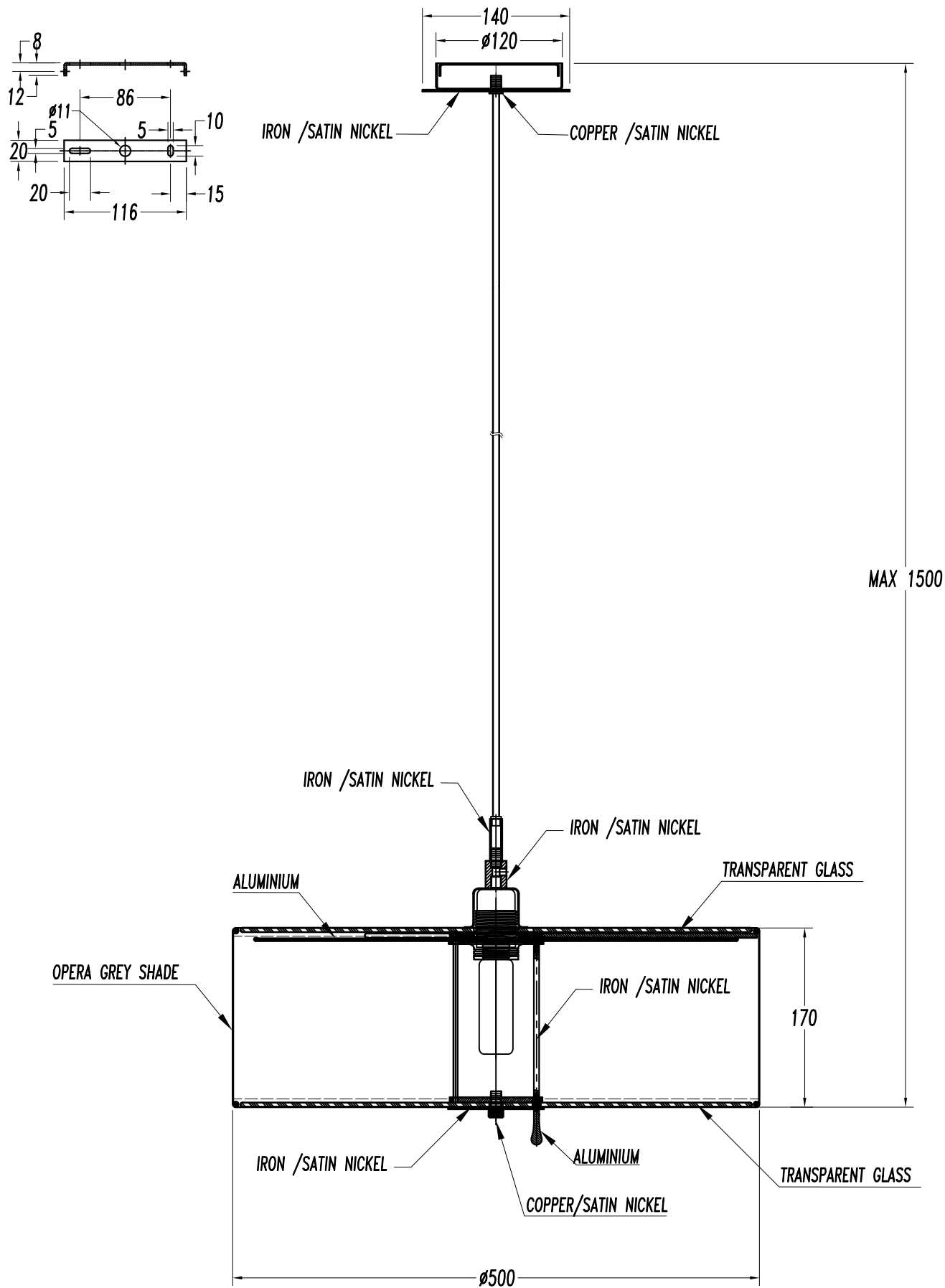
Diam=500mm

Semiplanos C



180.0 ——— 0.0  
270.0 ——— 90.0



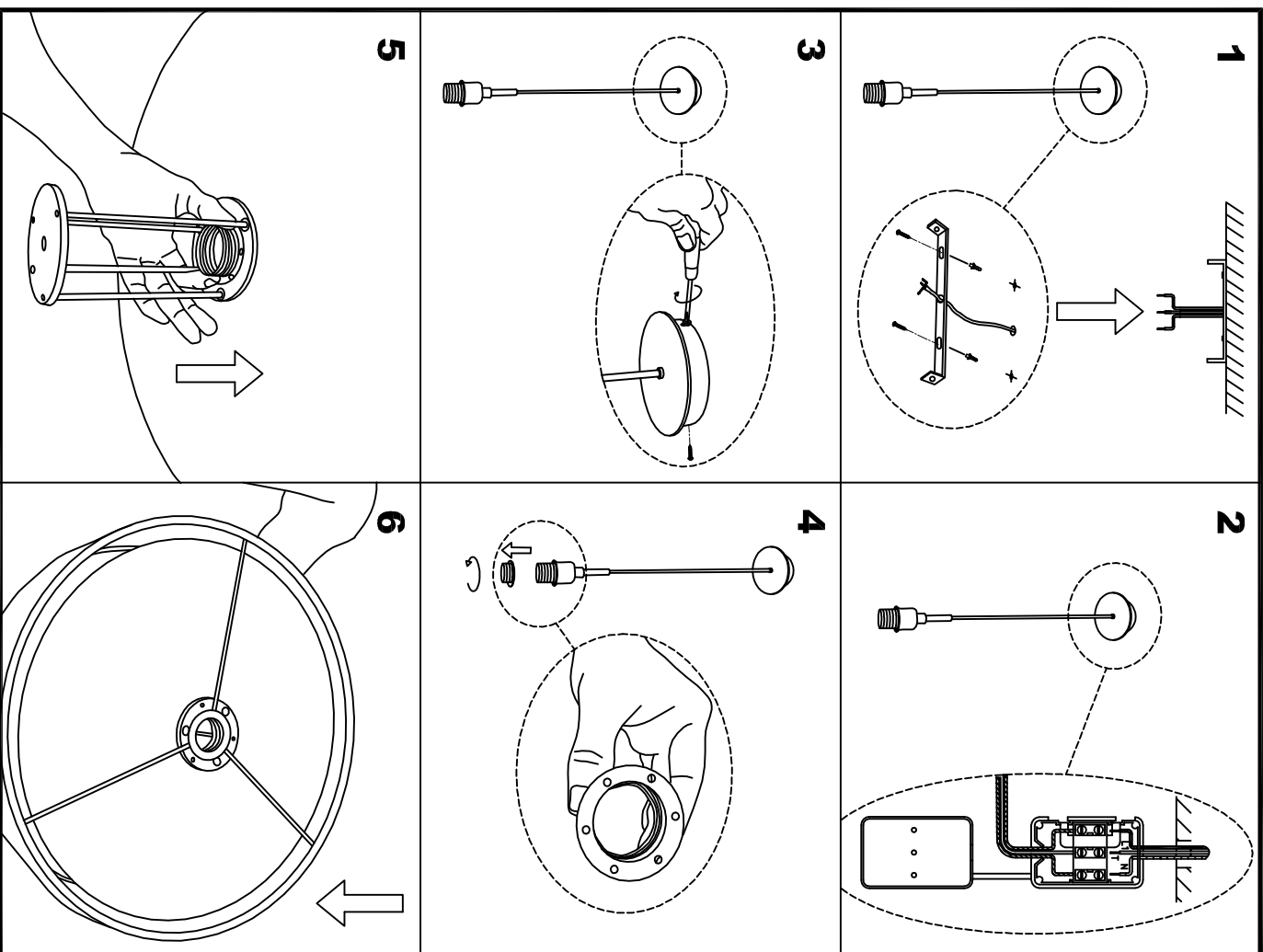




LED S-C4

IMC 00-2713-81

00-2713-81-AJ



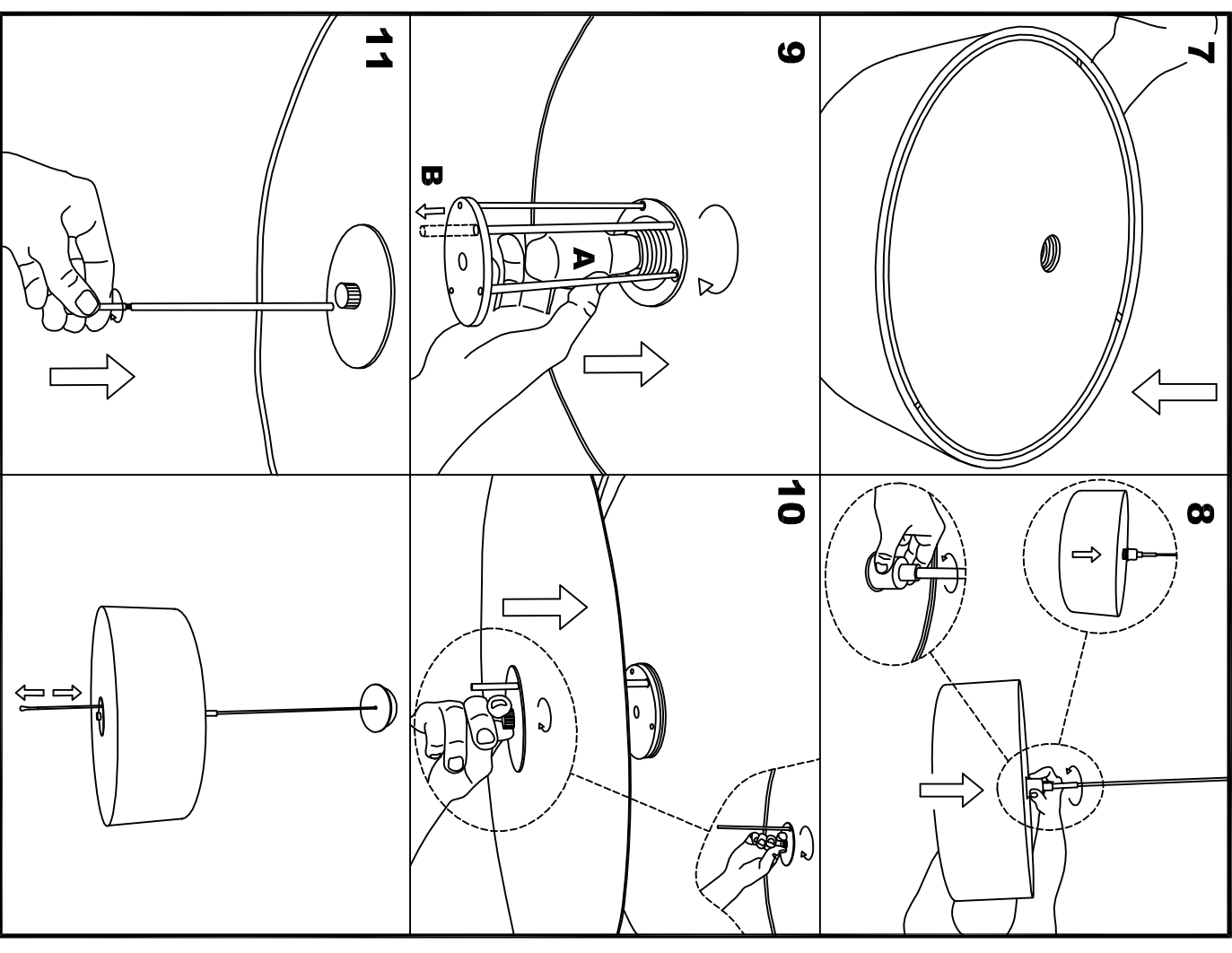
EDICIO: 02



LED S-C4

IMC 00-2713-81

00-2713-81-AJ



EDICIO: 02