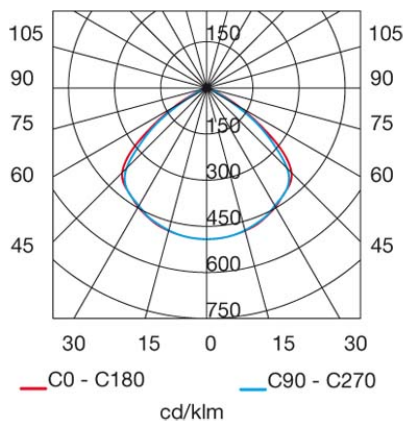
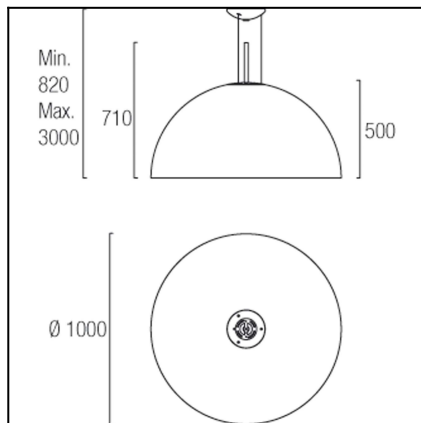


Design by WIS Design



The photograph may not match the reference exactly. Please read the product description to identify the finish.



Download photometric file .ldt /.ies

### TECHNICAL CHARACTERISTICS

Type:	Pendant
IP Protection degrees:	IP20
Lampholder:	3 x E27
Power (W):	E27 MAX 23W
Total power consumption (W):	69
Voltage / Frequency:	220-240V/50-60Hz
Warranty (Years):	2
Units per box:	1
Net Weight (Kg):	10
EAN:	8435111059166,00



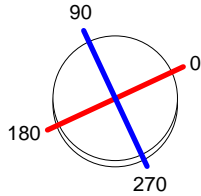
### MATERIALS / FINISHES

<b>Structure material:</b>	Steel	<b>Diffuser material:</b>	Glass
<b>Structure finish:</b>	Black lacquered Golden	<b>Diffuser finish:</b>	Tinted

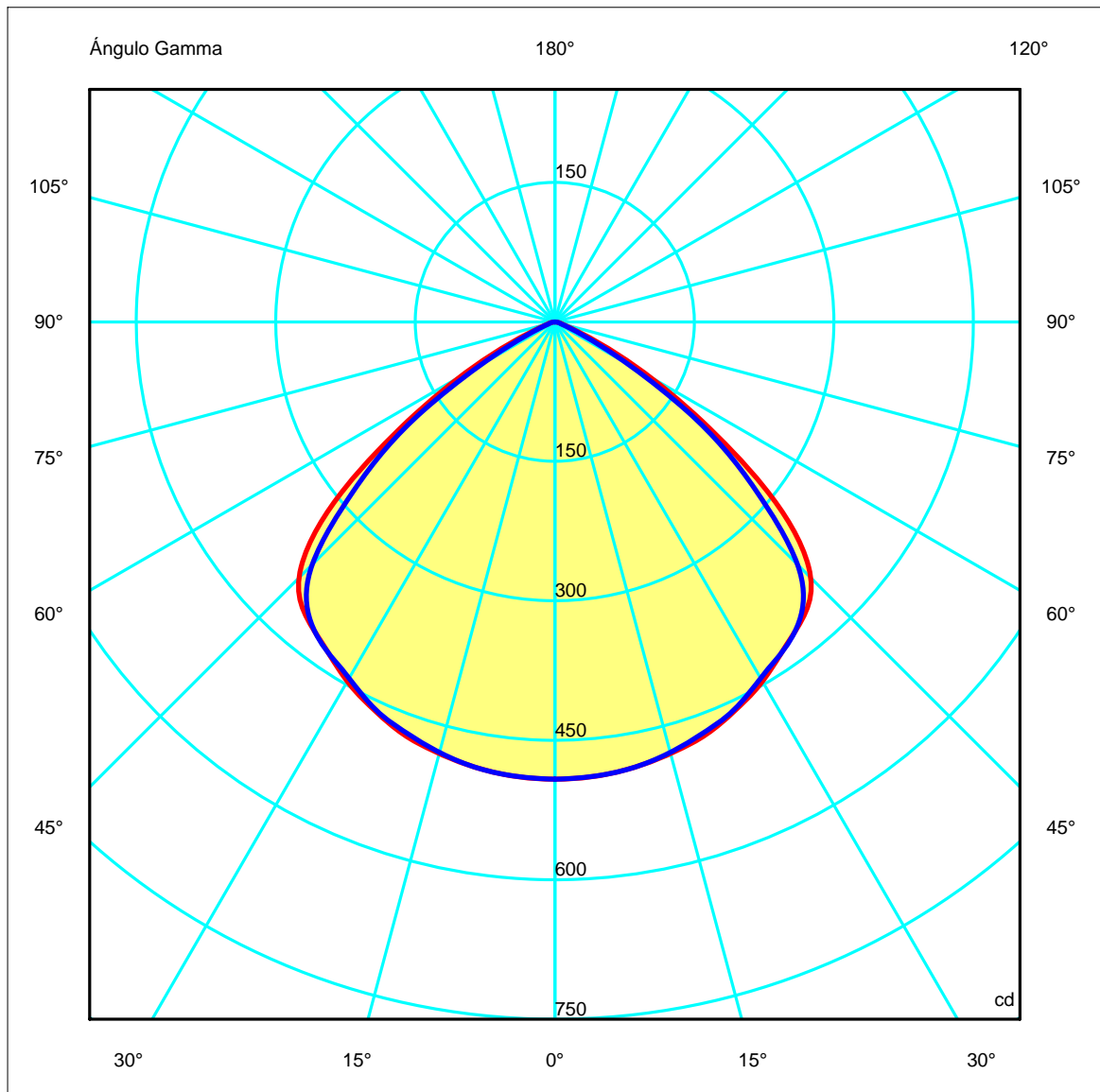
<b>Luminaria</b>		<b>Ensayo</b>		<b>Lámpara</b>	
Código	00-2726-AP-05	Código	00-2726-AP-05	Código	PLEC23
Nombre	Colg. UMBRELLA 3x23W PL-E E27	Nombre	Colg. UMBRELLA 3x23W PL-E E27	Número	3
Familia	- LEDS-C4	Fecha	24-03-2010	Posición	Universal
Eficiencia	25.61%	Sist. de Coorden.	C-G	Flujo Total	4500.00 lm
Valor Máximo	491.81 cd	Posición	C=0.00 G=0.00	Bisimétrico	

Diam=990mm

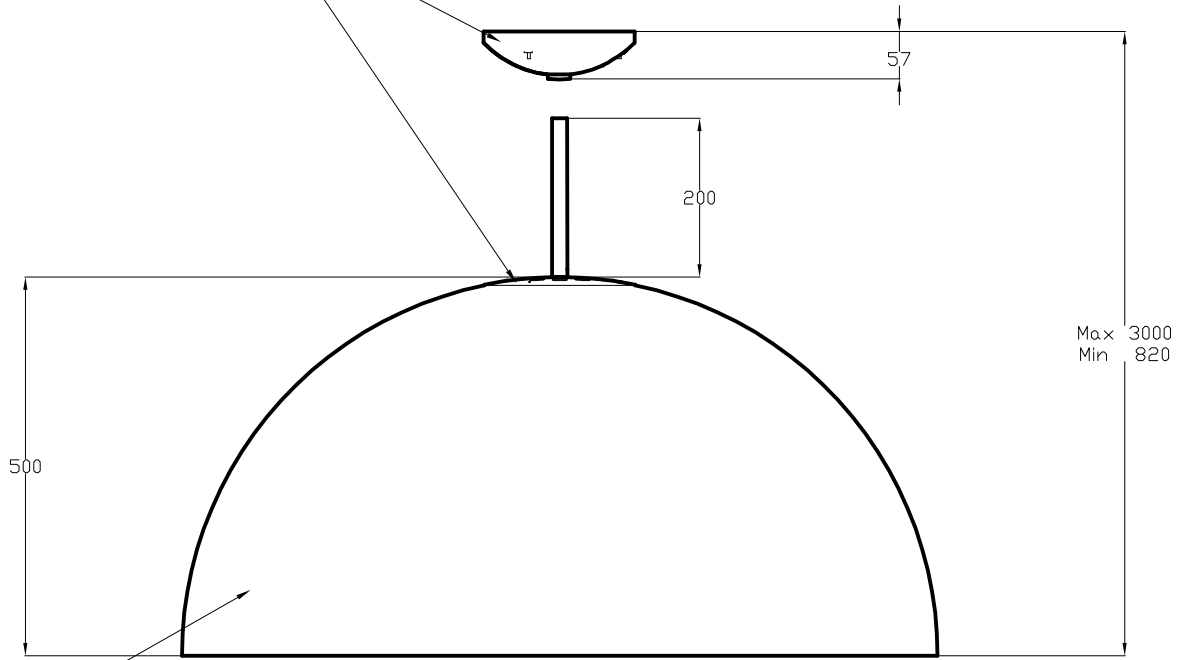
Semiplanos C



180.0 ————— 0.0  
 270.0 ————— 90.0



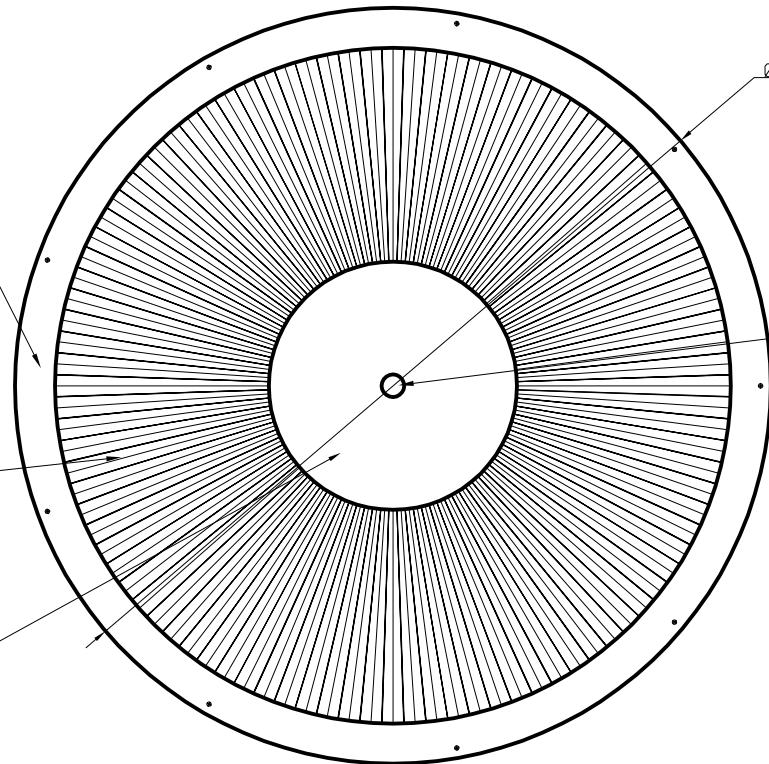
IRON / HIERRO



METRACRILATE /  
METRACRILATO

FABRIC & PVC /  
TELA I PVC

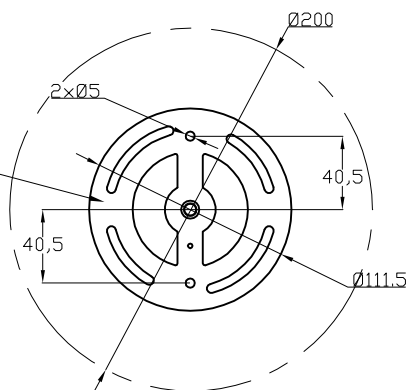
OPTIC GLASS /  
CRISTAL ÓPTICO



$\varnothing 1000$

LATÓN / BRASS

IRON / HIERRO



$\varnothing 200$

$2 \times \varnothing 5$

40,5

40,5

$\varnothing 111.5$

