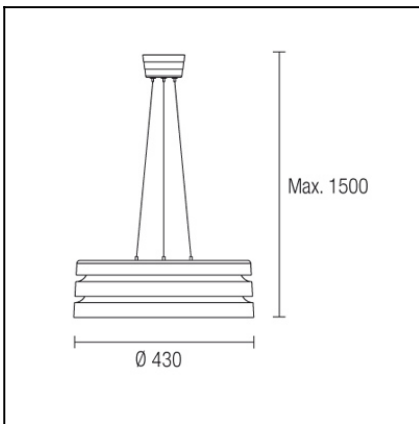


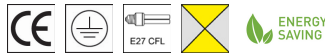


The photograph may not match the reference exactly. Please read the product description to identify the finish.



TECHNICAL CHARACTERISTICS

Type:	Pendant
IP Protection degrees:	IP20
Lampholder:	3 x E27
Power (W):	E27 20
Bulb included:	3 x E27 20. Warm White - 2700K
Total power consumption (W):	60
Voltage / Frequency:	220-240V/50-60Hz
Warranty (Years):	2
Units per box:	2
Net Weight (Kg):	3.69
EAN:	8435111064993,00



MATERIALS / FINISHES

Structure material: Steel

Diffuser material: Steel shade
Acrylic

Structure finish: Chrome

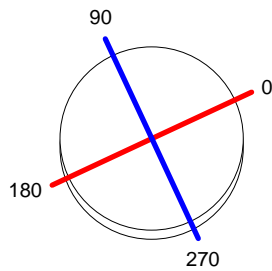
Diffuser finish: Shiny black/Shiny
white/chrome
Matt

Download photometric file .ldt / .ies

Luminaire		Measur.		Lamp	
Code	00-2785-21-AS	Code	00-2785-21-AS	Code	DLX EL LL 20W827E27
Name	Colgante 3x20W PL E27 dif opal	Name	Colgante 3x20W PL E27 dif opal	Number	3
Line	- LEDS-C4	Date	16-12-2013	Position	Universal
Efficiency	45.15%	Coordinate system	CG	Total Flux	3600.00 lm
Maximum value	446.84 cd	Position	C=0.00 G=0.00	Double Symmetrical	
Round Luminaire	Diam.	430 mm	Height	130 mm	
Round Luminous Area	Diam.	425 mm	Height	0 mm	
Horizontal Luminous Area	0.141863 m2	Emitting area on Plane 180°	0.000000 m2	Emitting area on Plane 270°	0.000000 m2
Emitting area on Plane 0°	0.000000 m2	Glare area at 76°	0.034320 m2		
Emitting area on Plane 90°	0.000000 m2				
Symmetry Type	Double Symmetrical	Maximum Gamma Angle	180	Measurement Flux	3600.00 lm
Measurement Distance	6.44				
Operator	Asselum T2	Source voltage	230.00 V		
Temperature	20.00 °C	Source current			
Humidity	46.00 %	Photocell	PRC		
Notes					

Luminaire Lamps					
Line	Code	Name	Flux [lm]	Pow. [W]	Q.ty
OSRAM 2006 FB,T,G,C,FS,Q,M,D	DLX EL LL 20W827E27	DULUX® EL LONGLIFE 20W/827 E27	1200.00	20.00	3
C.I.E.	42 73 93 94 45	D DIN 5040		A31	
F UTE	0.42 G + 0.03 T	B NBN		BZ 5	

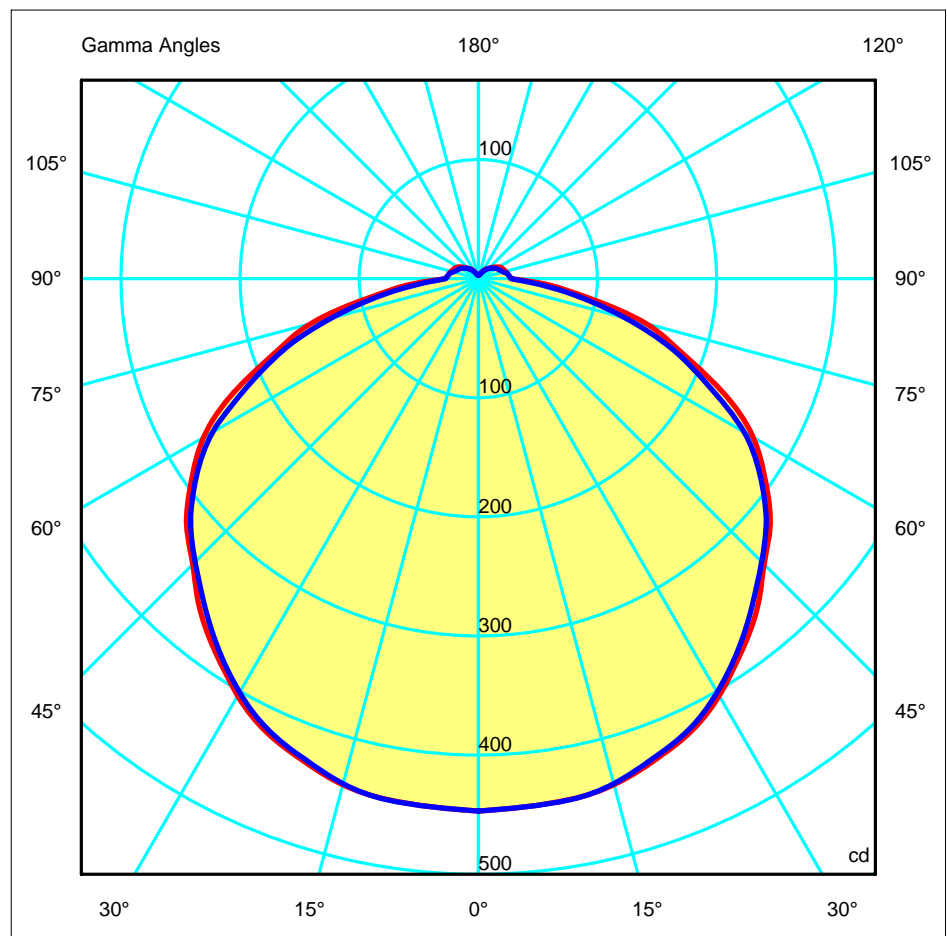
Diam=430mm

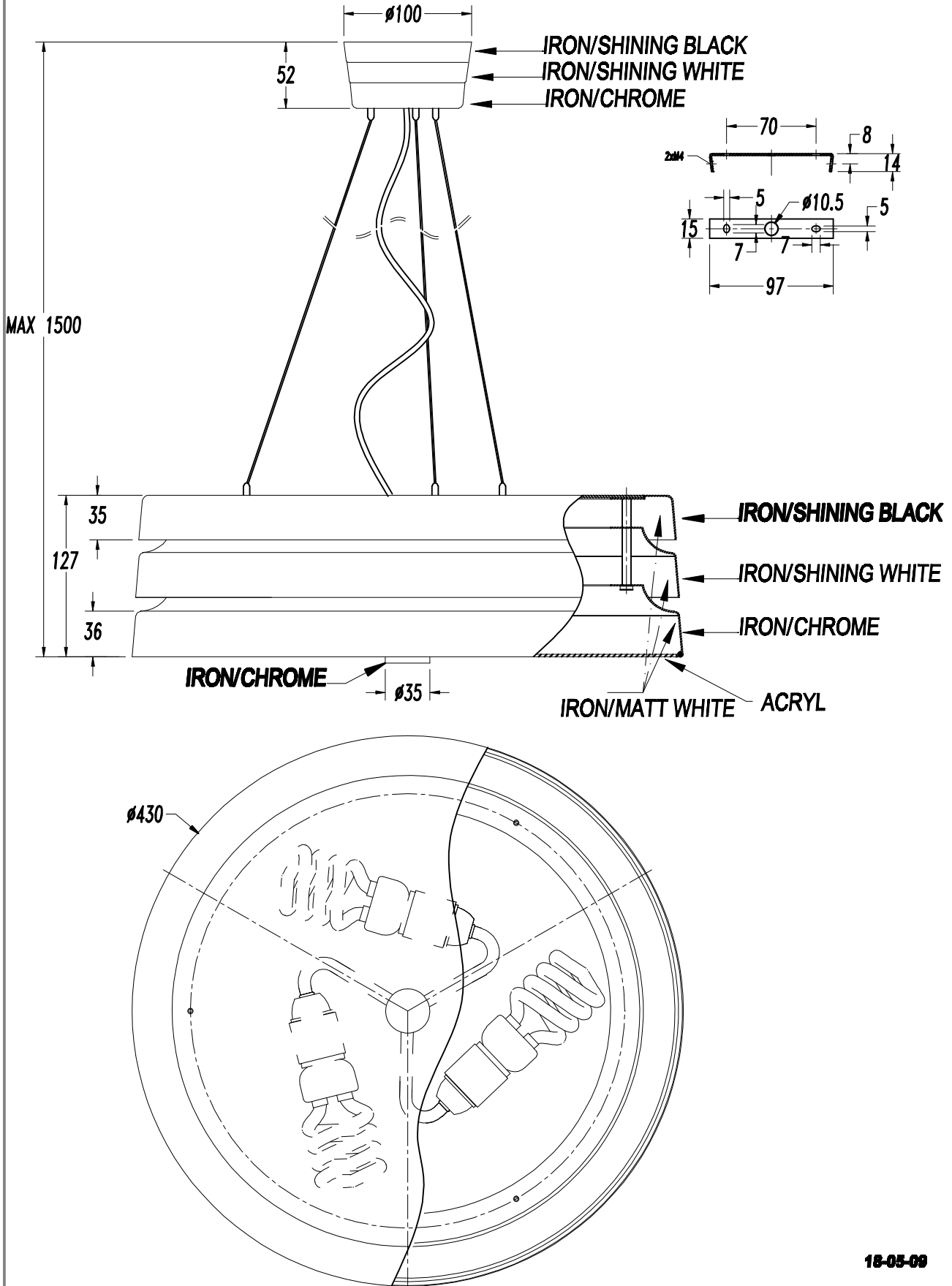


C Halfplanes

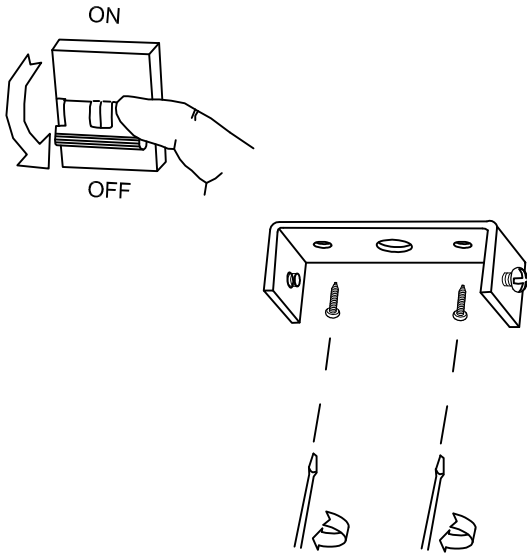
180.0 — 0.0
270.0 — 90.0

ULOR 2.93 %
DLOR 42.22 %
RN 6.49 %

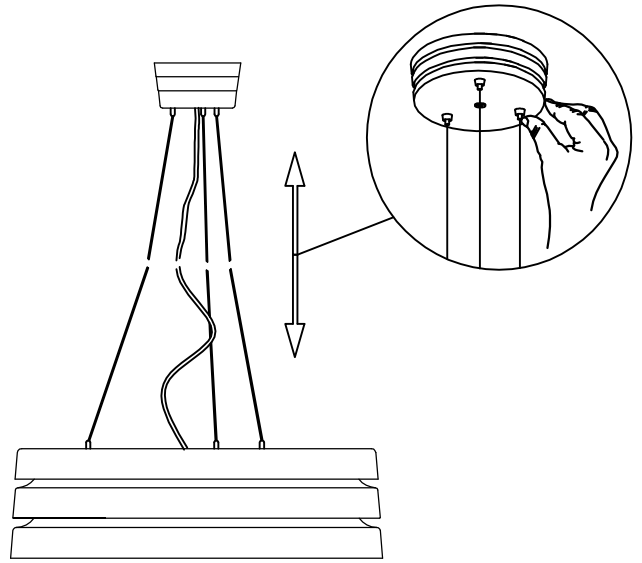




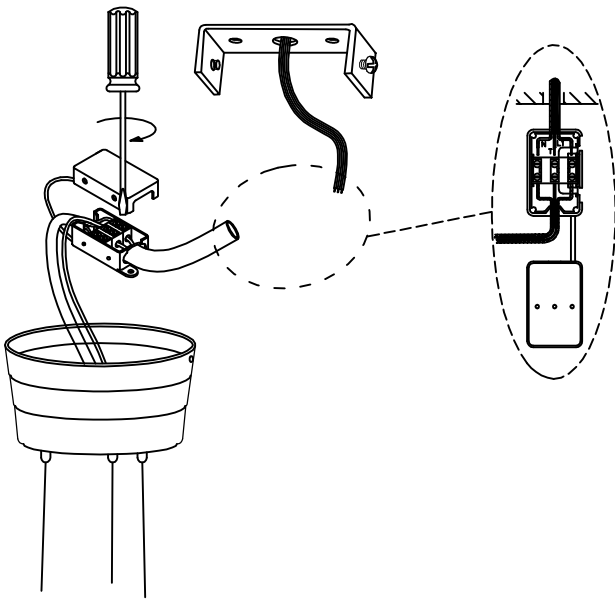
1



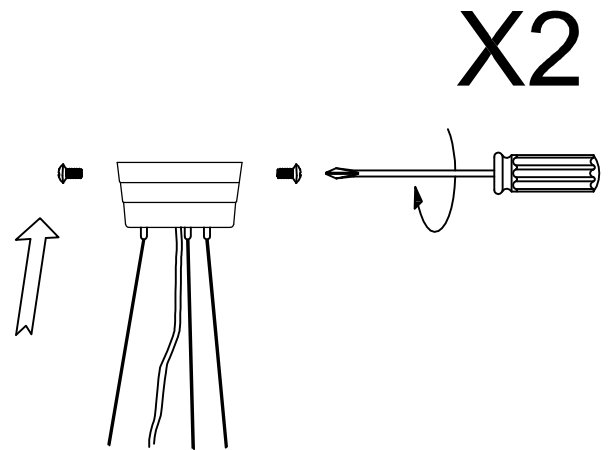
2



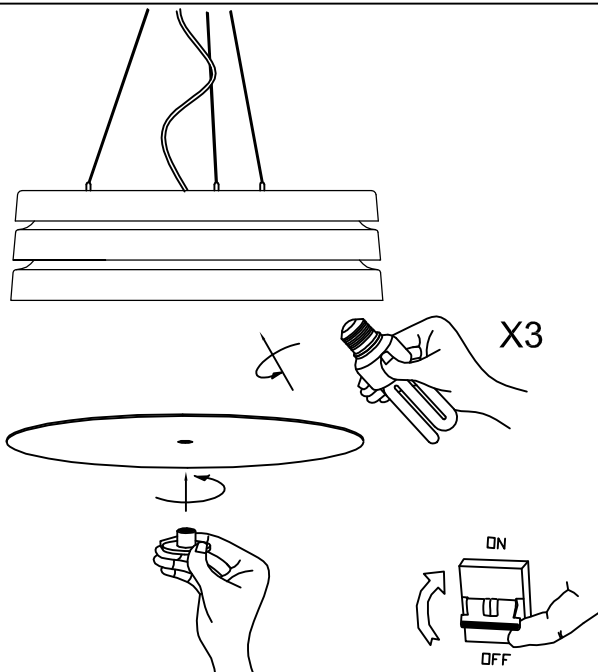
3



4



5



6

