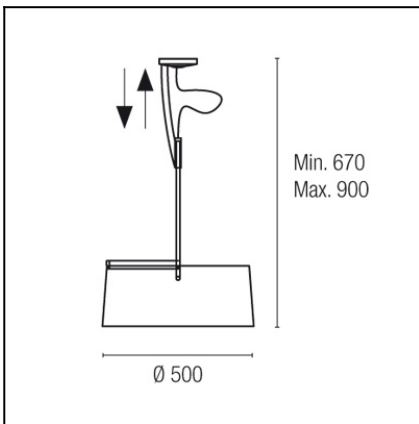




The photograph may not match the reference exactly. Please read the product description to identify the finish.


**TECHNICAL CHARACTERISTICS**

Type:	Pendant
IP Protection degrees:	IP20
Lampholder:	3 x E27
Power (W):	E27 21
Voltage / Frequency:	230V/50-60Hz
Warranty (Years):	2
Units per box:	1
Net Weight (Kg):	2.17
EAN:	8435111073285,00

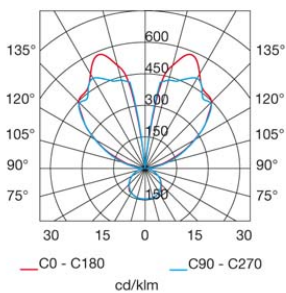

**MATERIALS / FINISHES**

**Structure material:** Steel

**Diffuser material:** Fabric shade  
Acrylic

**Structure finish:** Chrome  
Urban grey

**Diffuser finish:** Black  
Bright opal



Download photometric file .ldt /.ies

