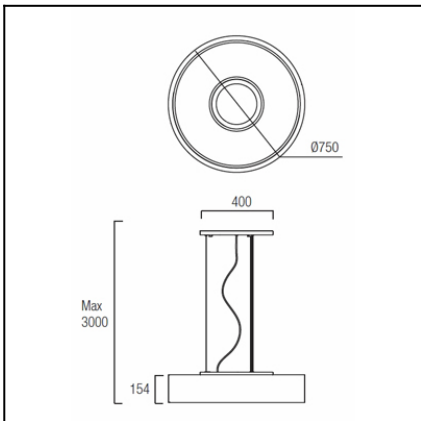


Design by Nahtrang Design


The photograph may not match the reference exactly. Please read the product description to identify the finish.



[Download photometric file .ldt / .ies](#)

TECHNICAL CHARACTERISTICS

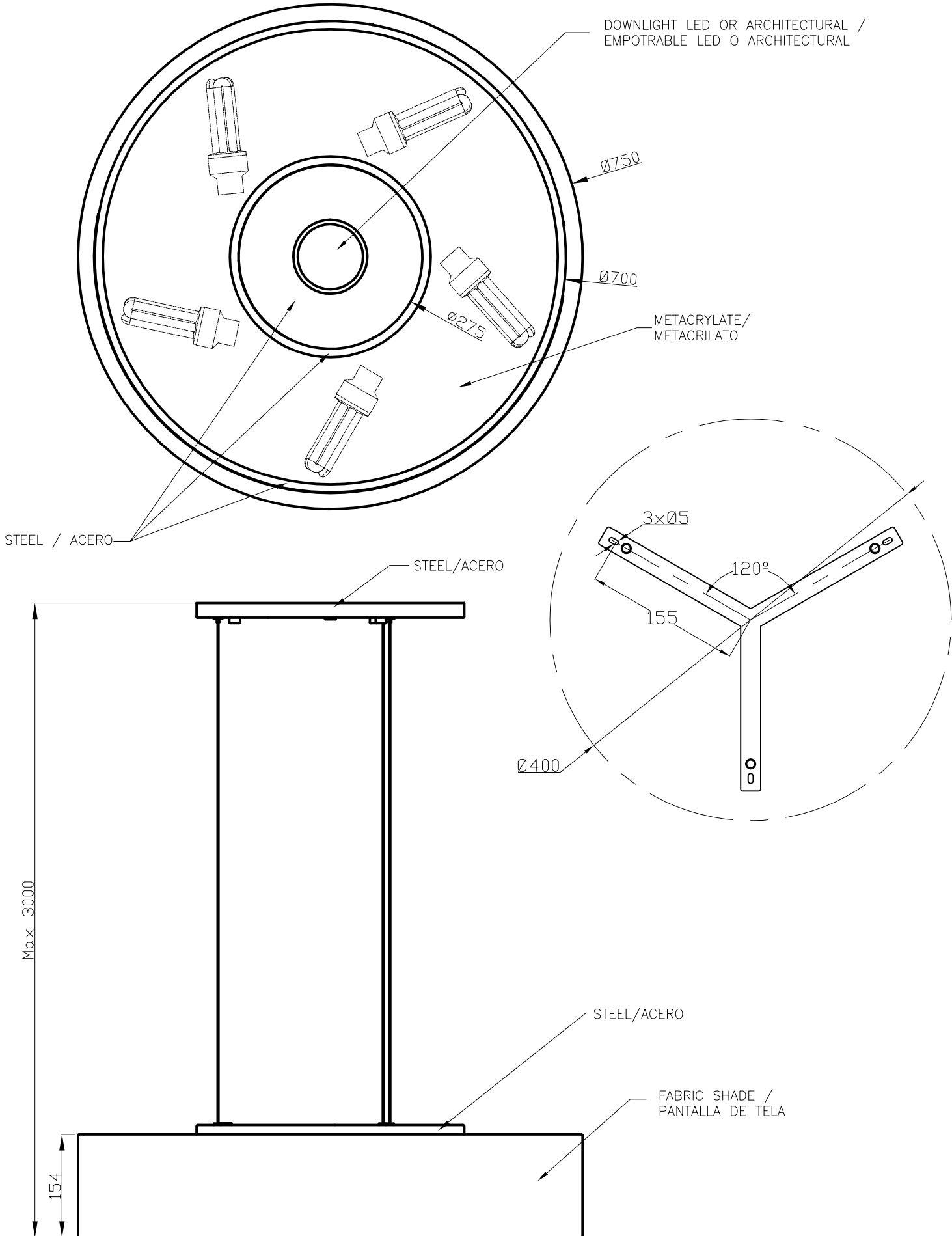
Type:	Pendant
IP Protection degrees:	IP20
Lampholder:	5 x E27 1 x G53
Power (W):	E27 30W G53 100W
Voltage / Frequency:	230V/50-60Hz
Warranty (Years):	2
Units per box:	1
Net Weight (Kg):	10.24
EAN:	0,00


MATERIALS / FINISHES

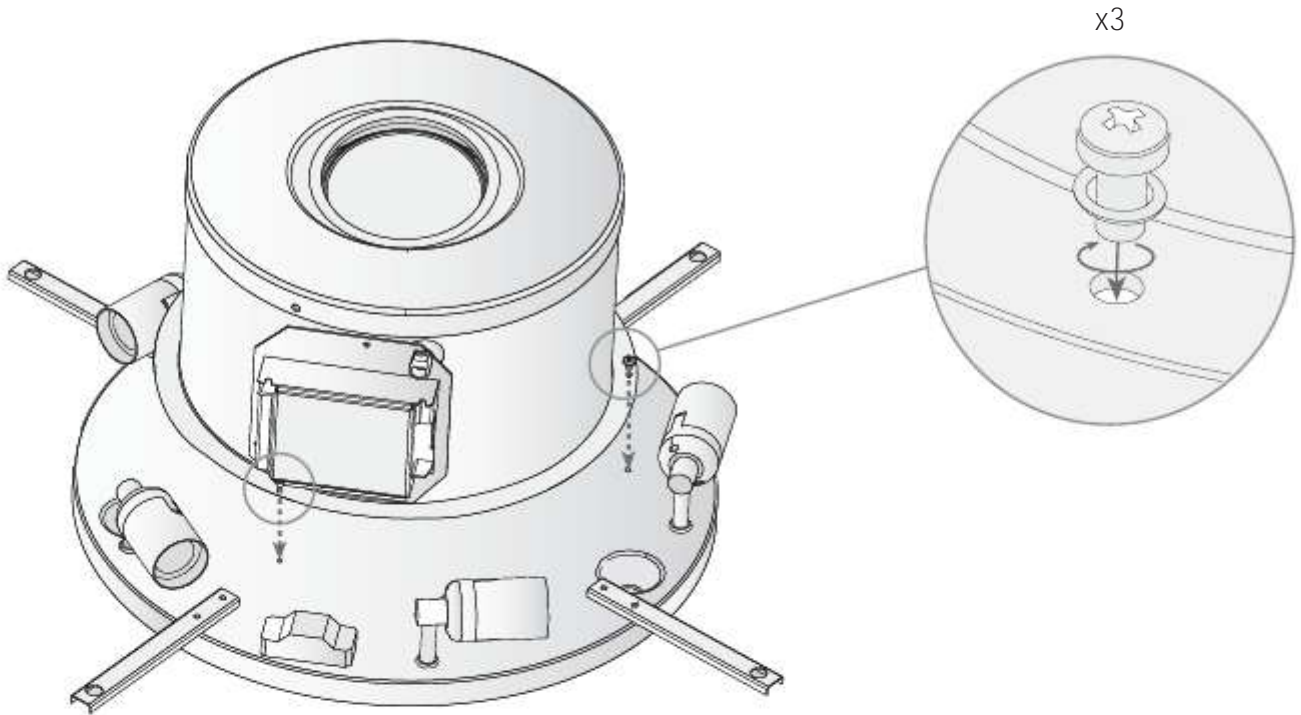
Structure material: Steel	Diffuser material: Fabric shade Methacrylate
Structure finish: Chrome	Diffuser finish: White Opal

GEAR

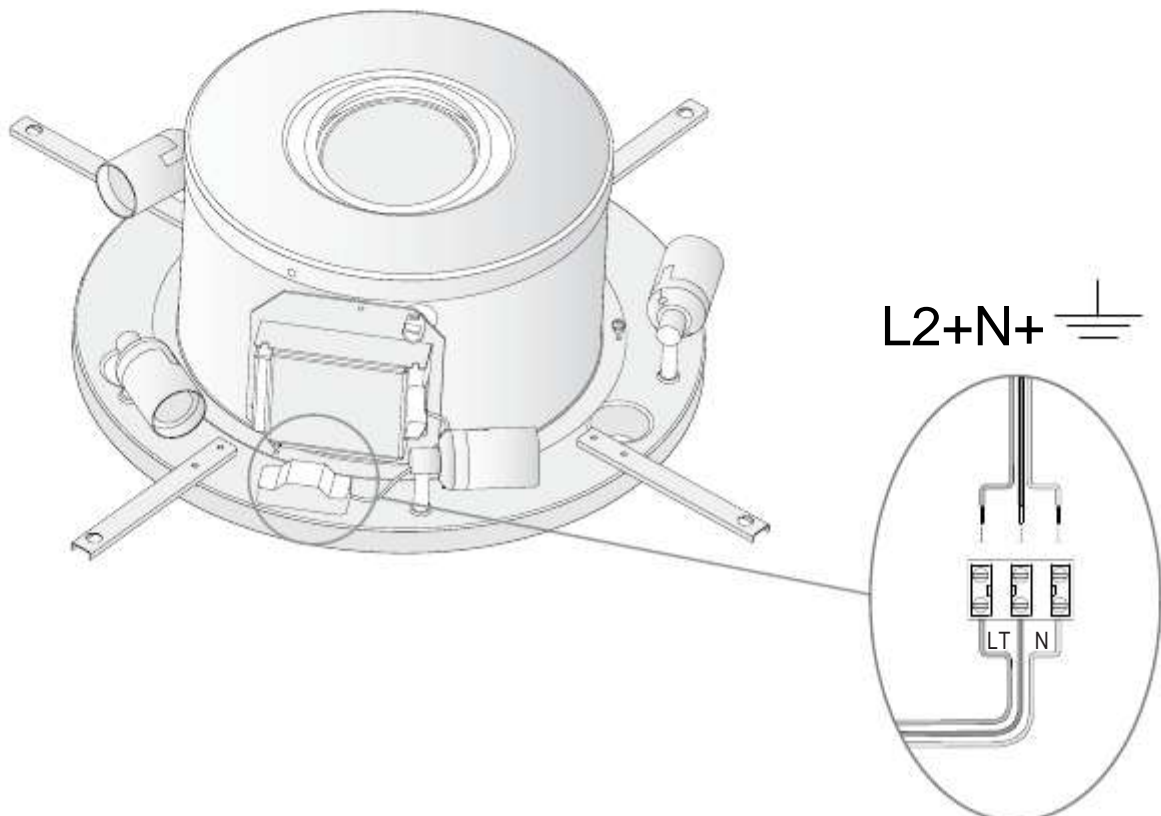
Gear included: Yes, electronic



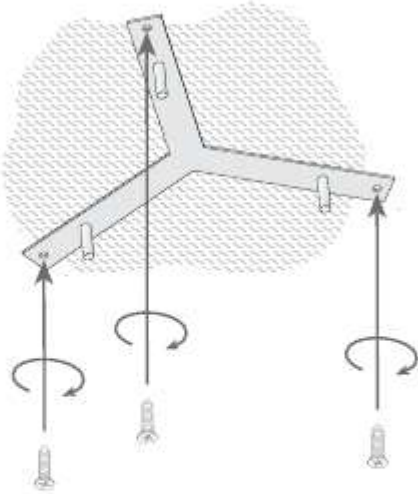
1A



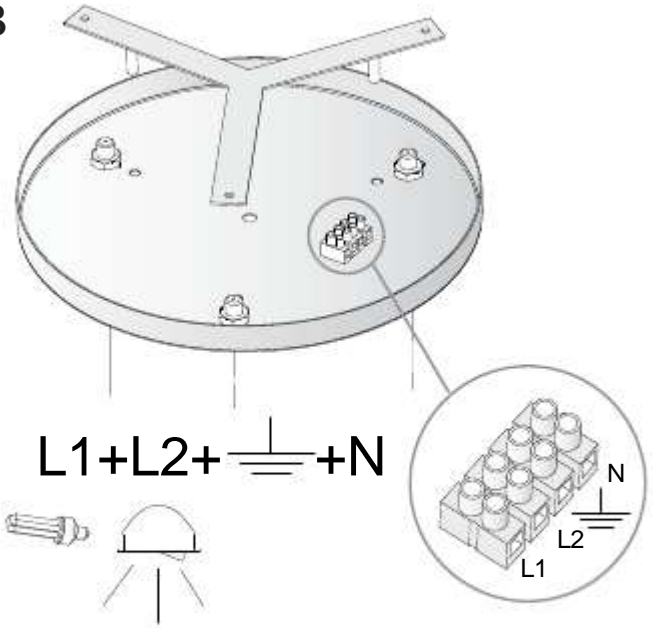
1B



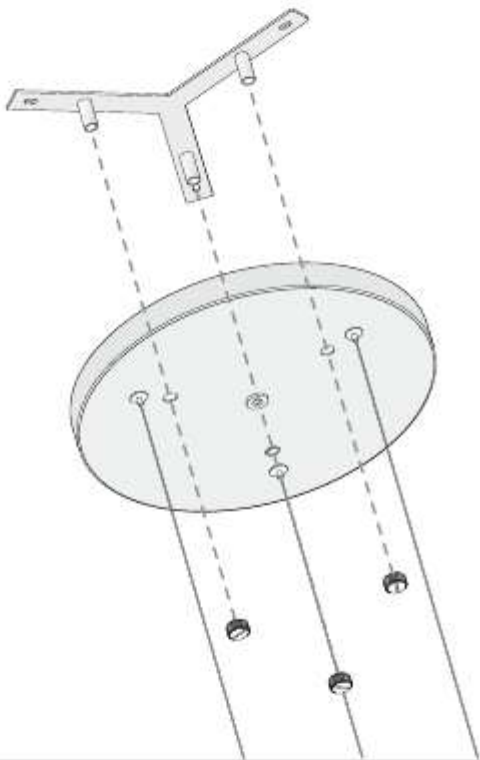
2A



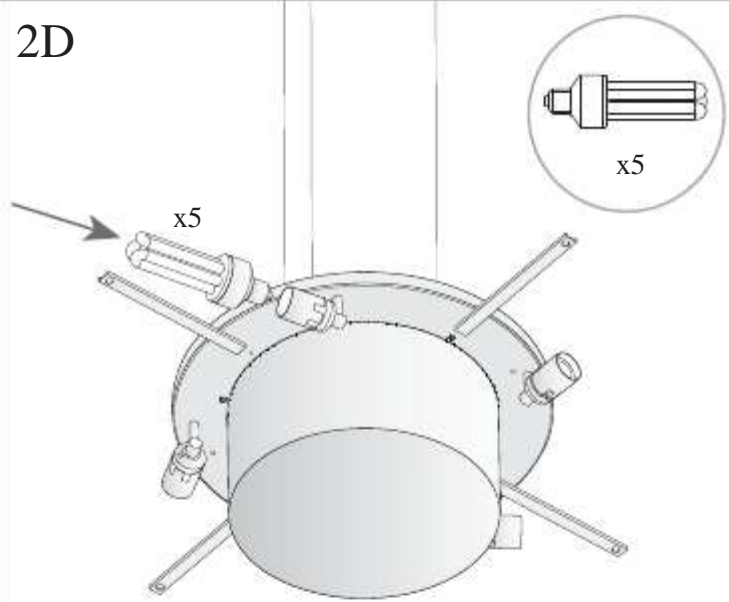
2B



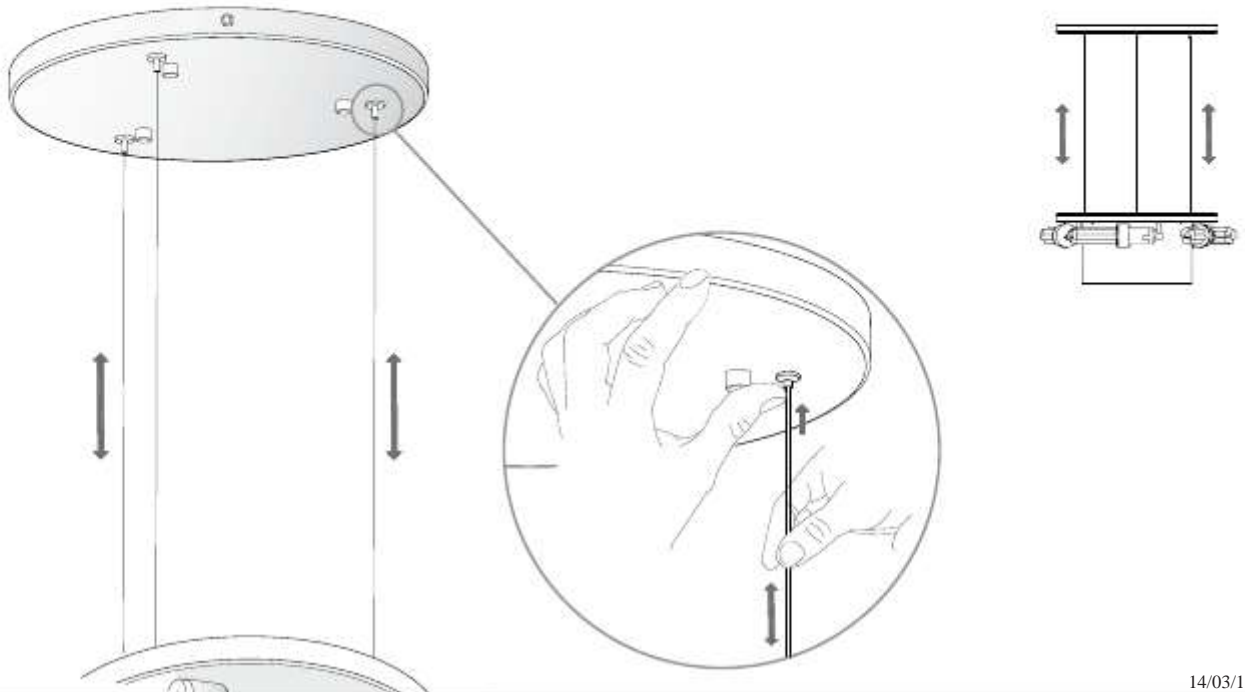
2C



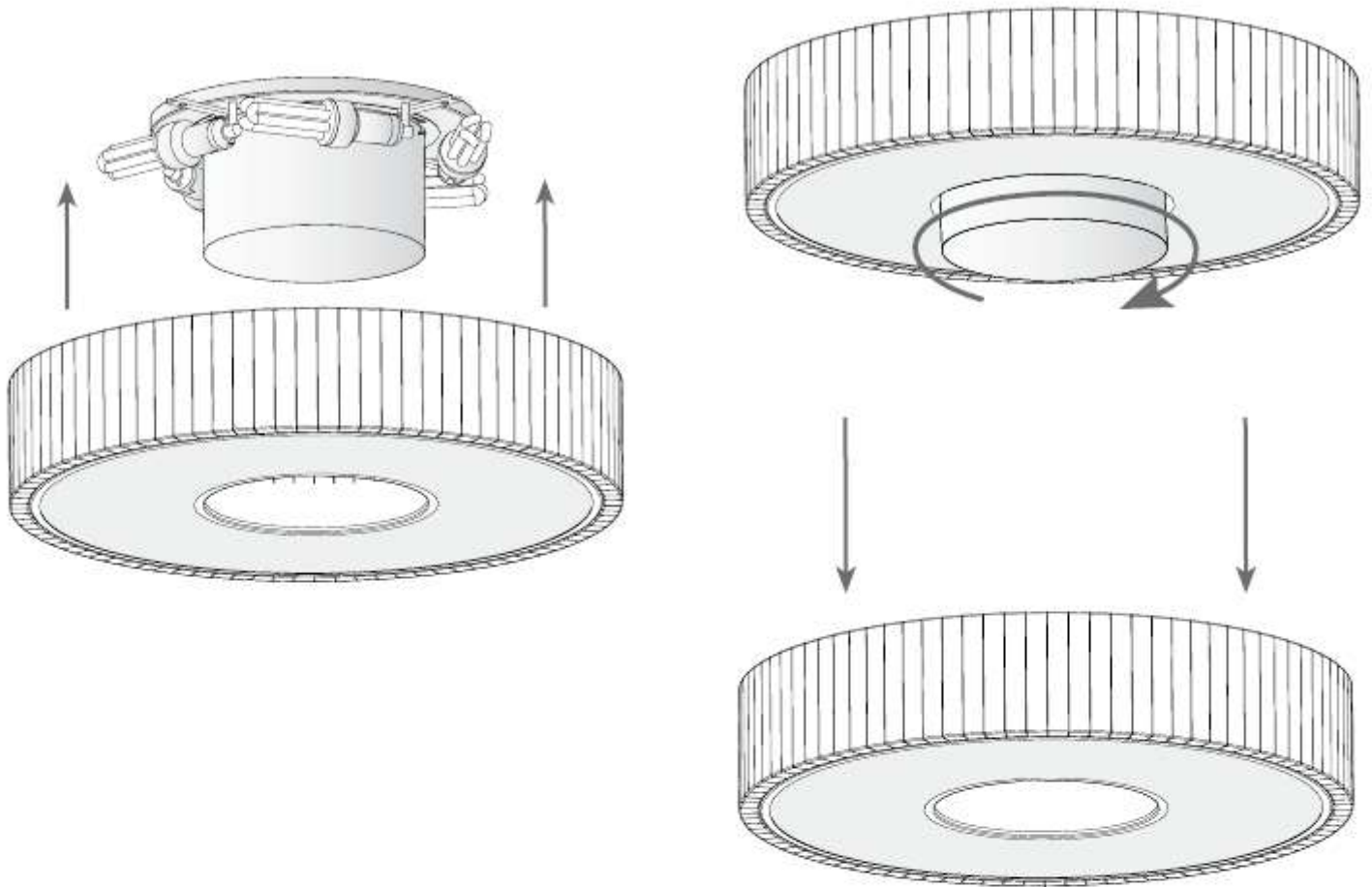
2D



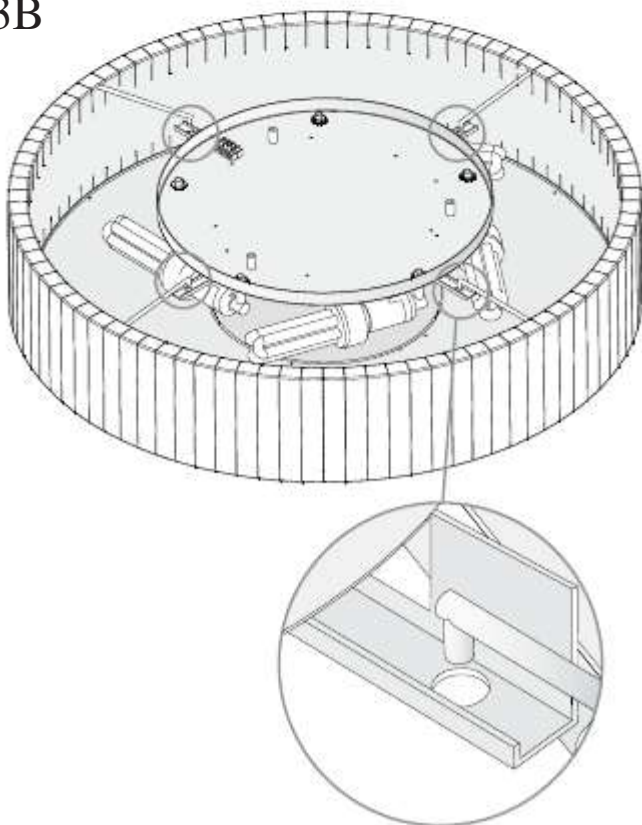
2E



3A



3B



3C

