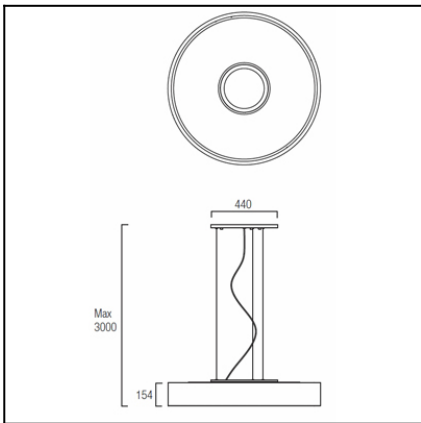


Design by Nahtrang Design

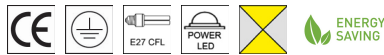

The photograph may not match the reference exactly. Please read the product description to identify the finish.



Download photometric file .ldt / .ies

TECHNICAL CHARACTERISTICS

| | |
|---------------------------------|-------------------------|
| Type: | Pendant |
| IP Protection degrees: | IP20 |
| Lampholder: | 7 x E27 3 x LED Cree |
| Power (W): | E27 30W 4W/350mA |
| Voltage / Frequency: | 230V/50-60Hz |
| Warranty (Years): | 2 |
| Option to extend the guarantee: | Yes, 5 years |
| Units per box: | 1 |
| Net Weight (Kg): | 13.93 |
| EAN: | 0,00 |


MATERIALS / FINISHES
Structure material: Steel

Diffuser material: Fabric shade
Methacrylate

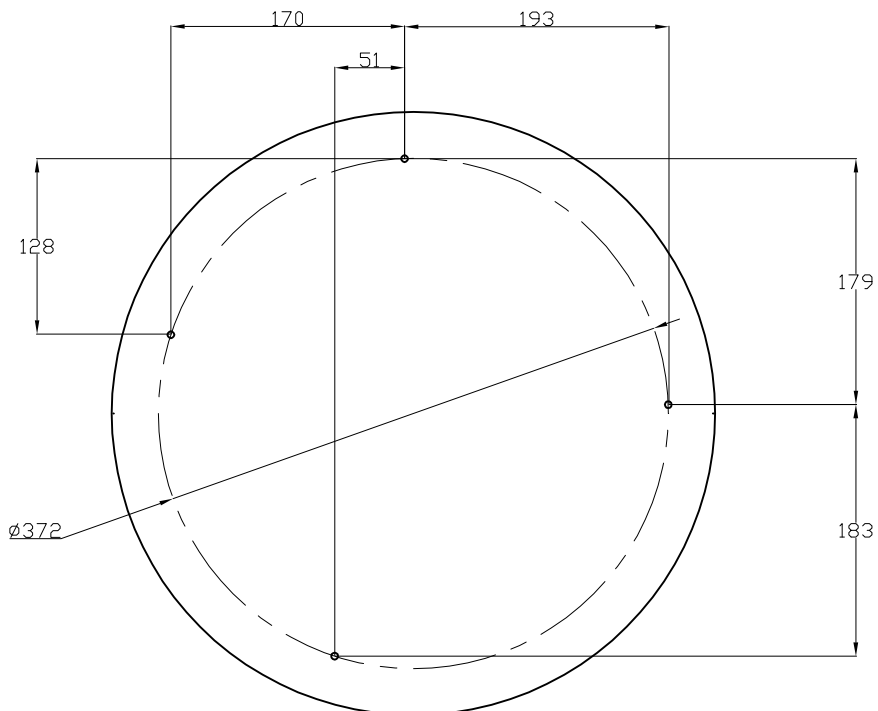
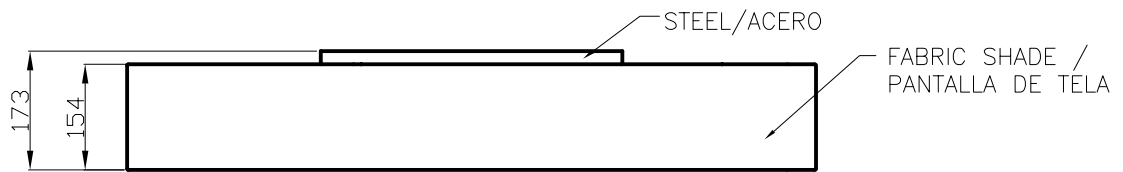
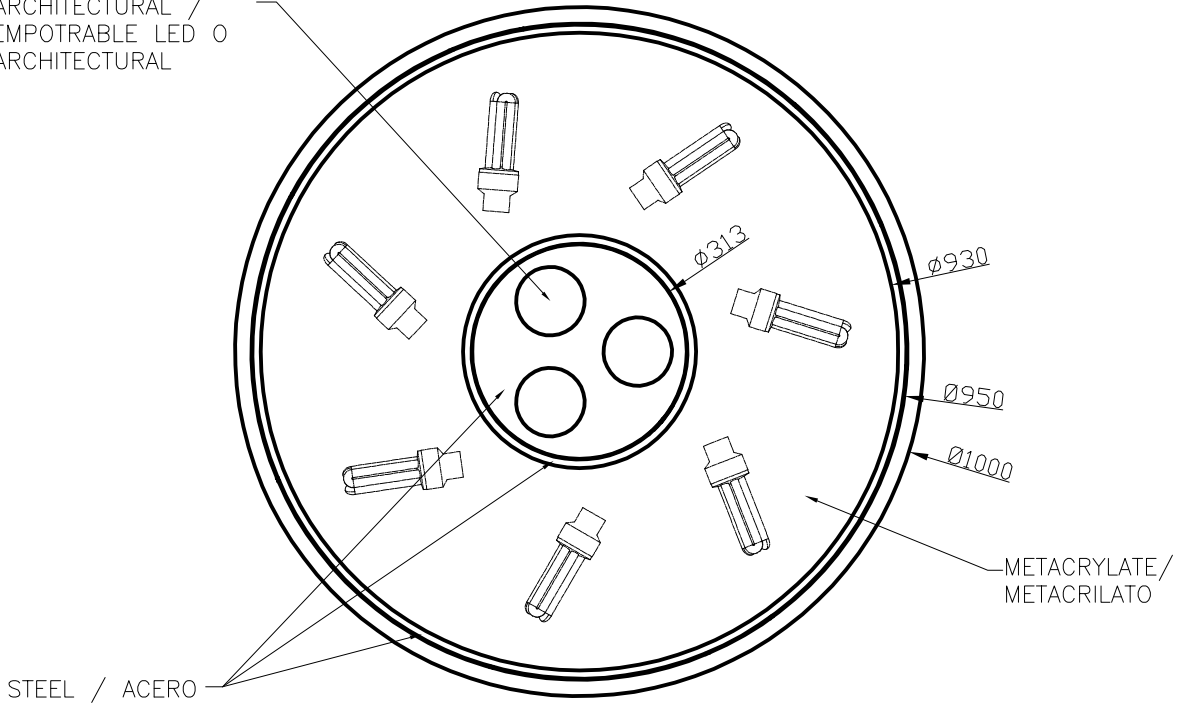
Structure finish: Chrome

Diffuser finish: White
Opal

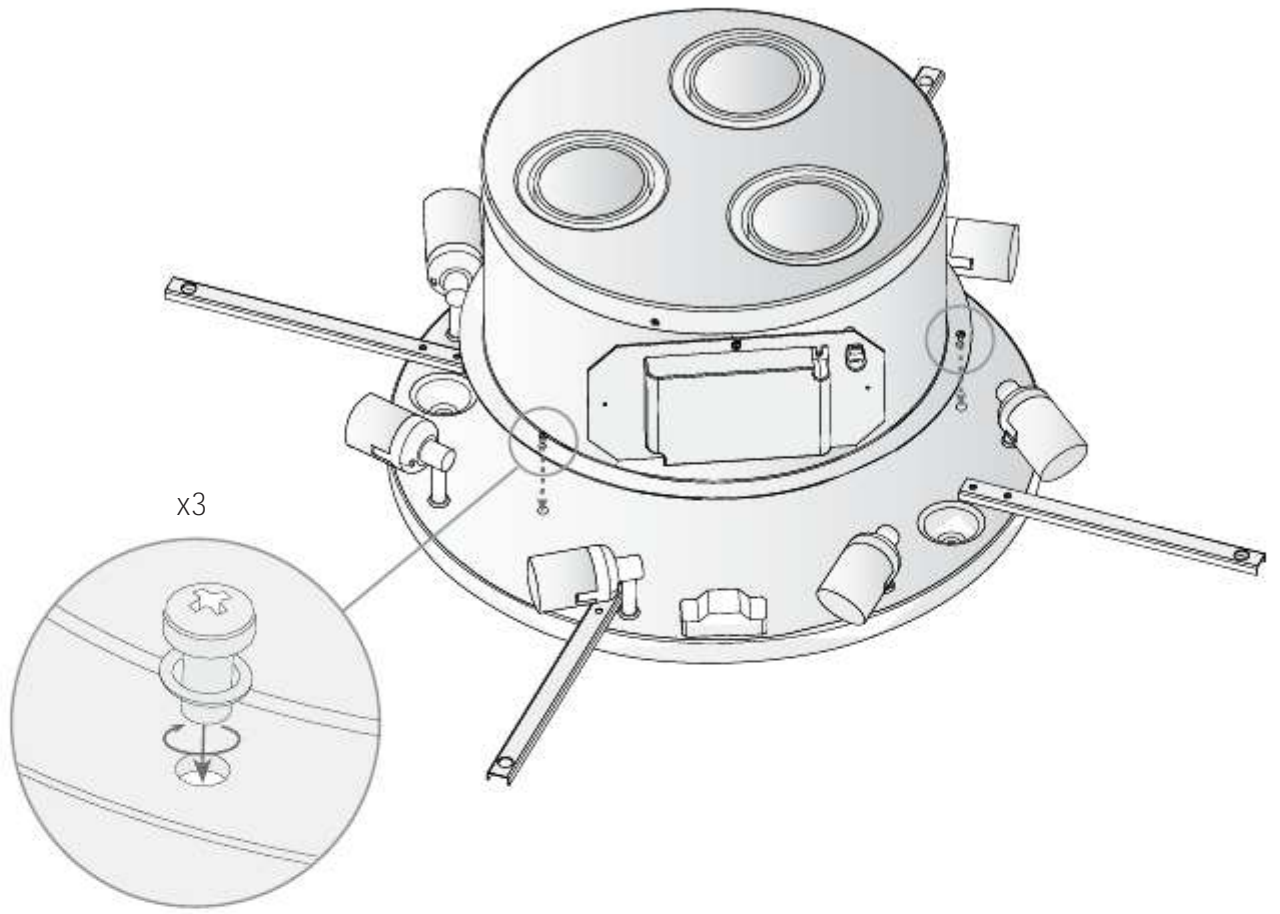
GEAR

Multi-voltage electronic gear included (110-240 V / 50-60 Hz)

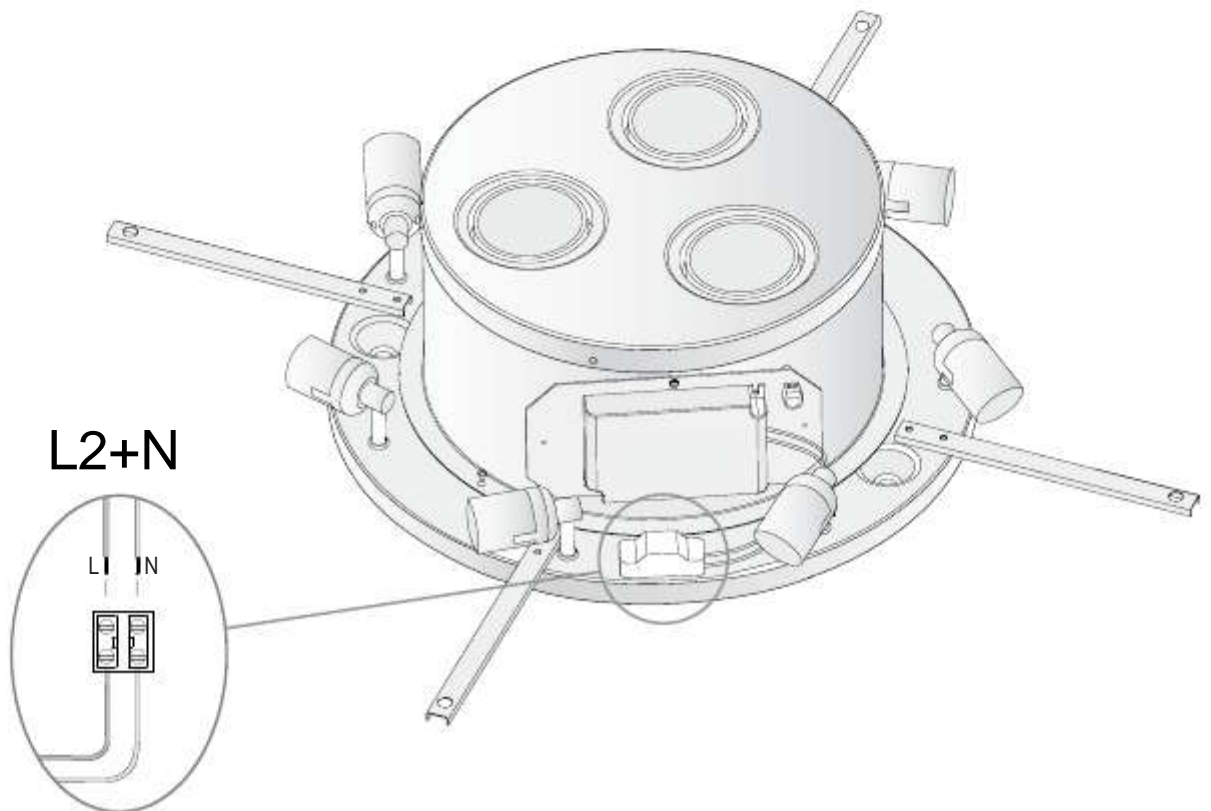
DOWNLIGHT LED OR
ARCHITECTURAL /
EMPOTRABLE LED O
ARCHITECTURAL



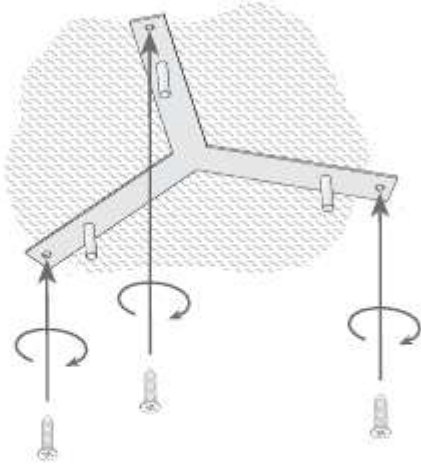
1A



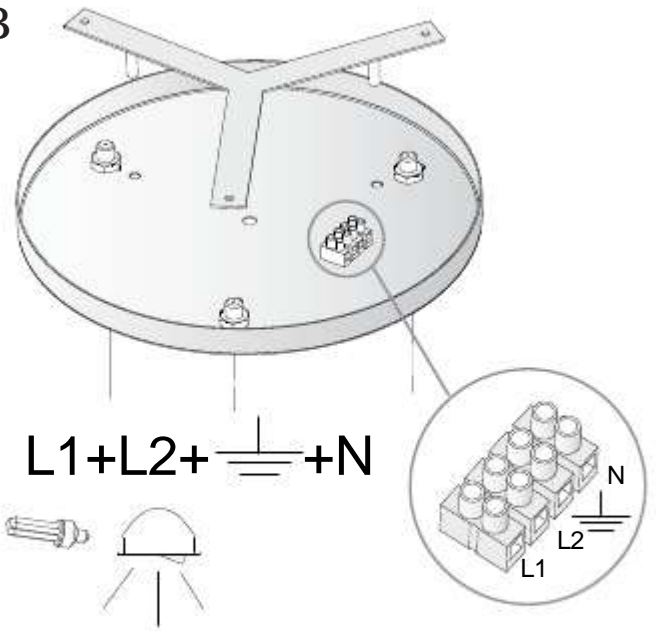
1B



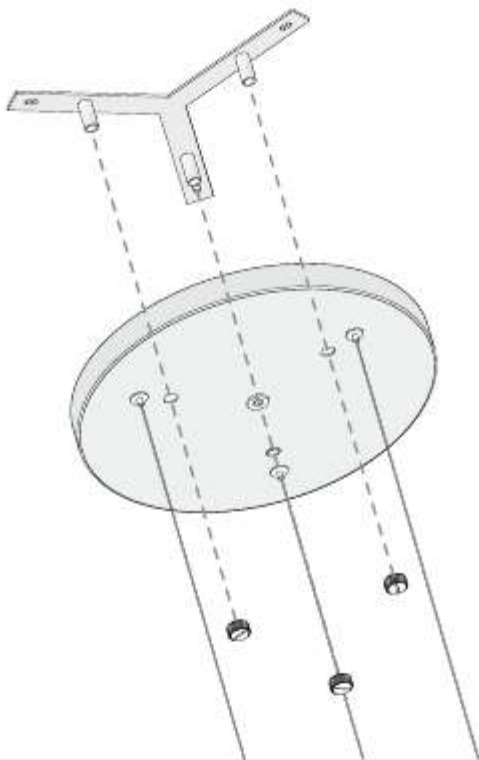
2A



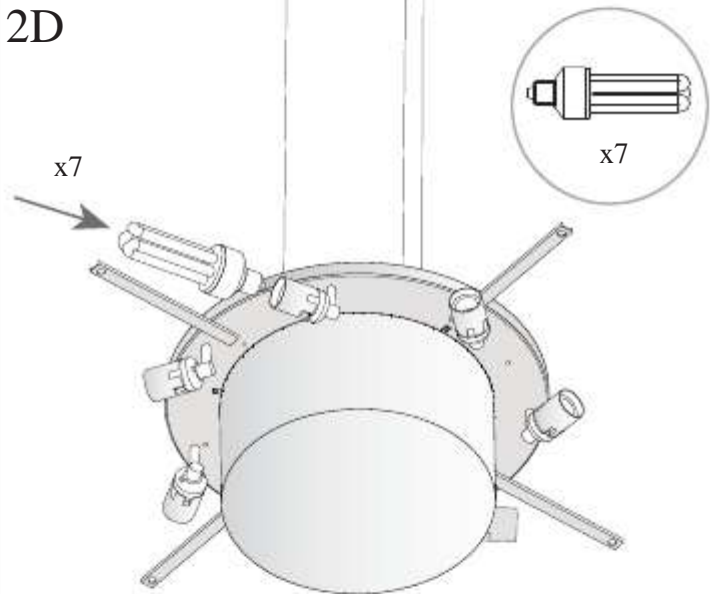
2B



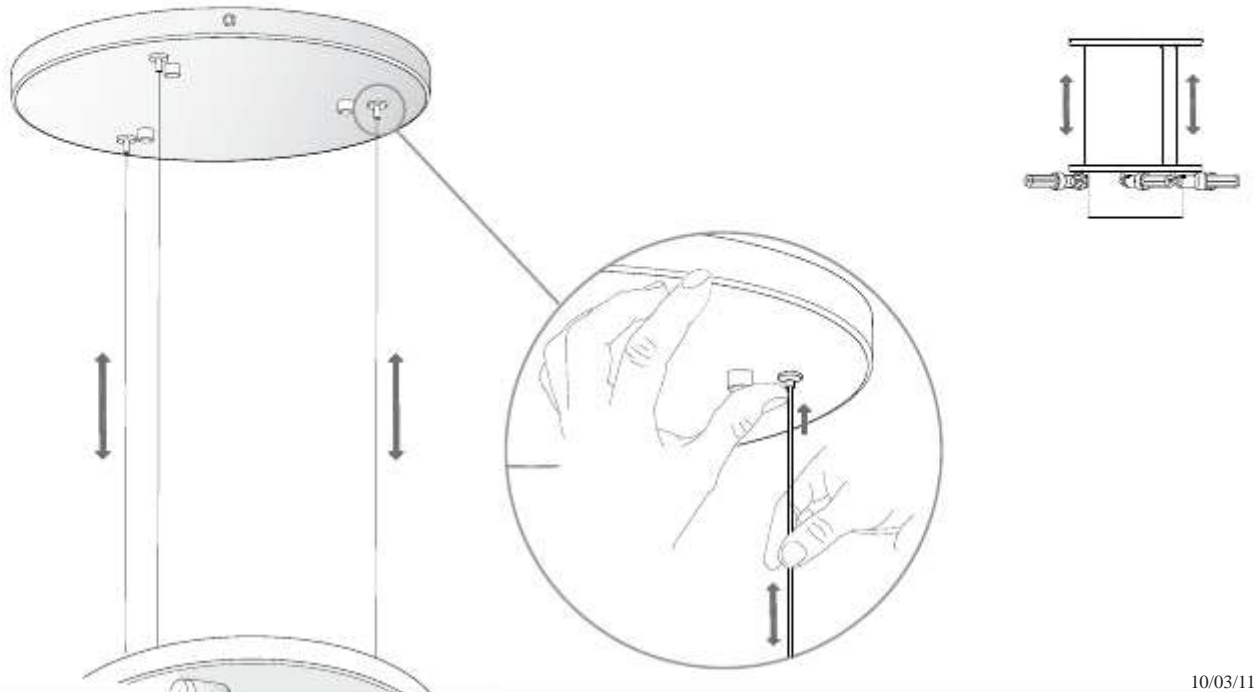
2C



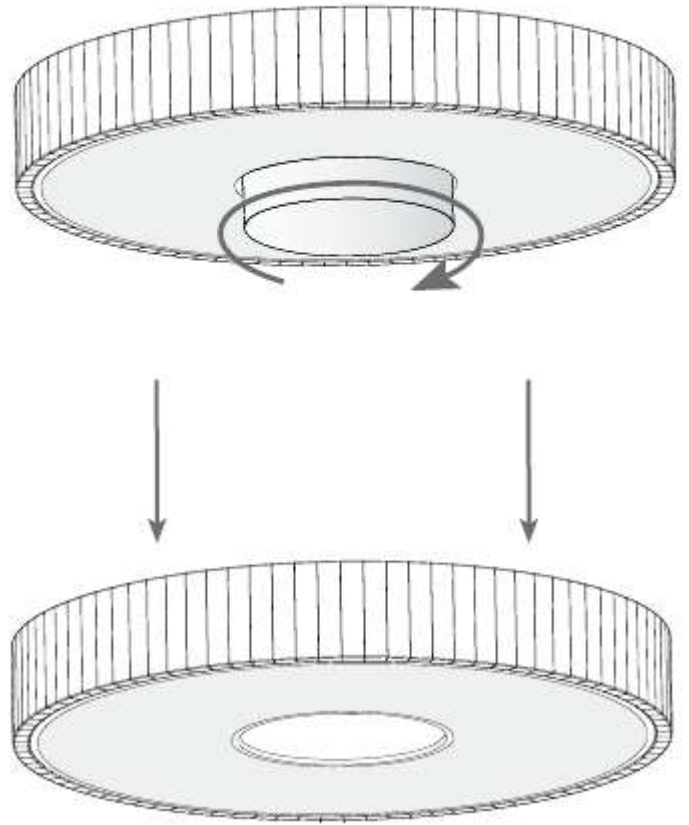
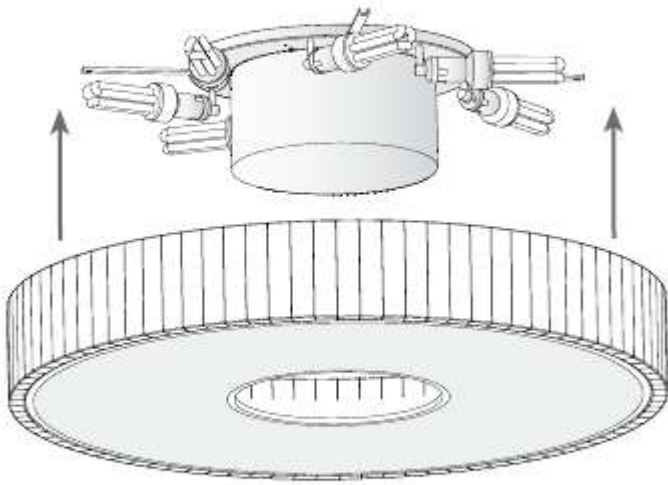
2D



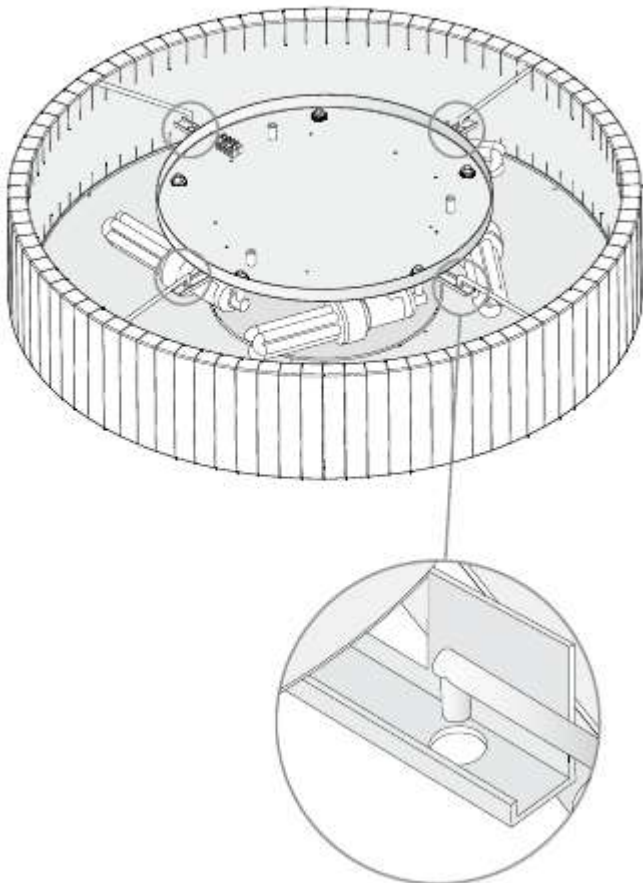
2E



3A



3B



3C

