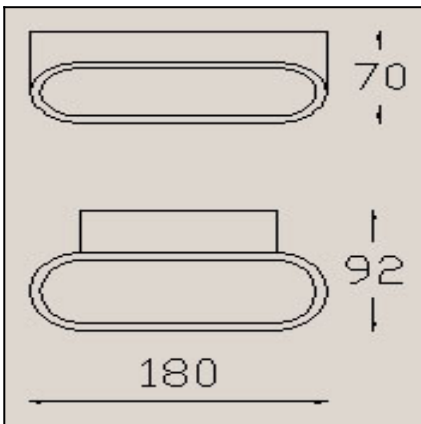




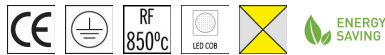
The photograph may not match the reference exactly. Please read the product description to identify the finish.



Download photometric file .ldt / .ies

TECHNICAL CHARACTERISTICS

Type:	Wall fixture
IP Protection degrees:	IP20
Bulb:	1 x LED Citizen. Warm White - 3000K
Power (W):	LED Citizen 4
Luminous efficacy (Lm/W):	120
CRI:	80
Voltage / Frequency:	100-240V/50-60Hz
Warranty (Years):	2
Option to extend the guarantee:	Yes, 5 years
Units per box:	12
Net Weight (Kg):	0.6
EAN:	8435111091203,00



MATERIALS / FINISHES

Structure material: Extruded aluminium
Steel

Structure finish: Matt white

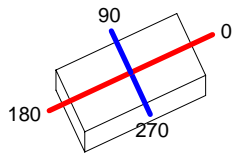
GEAR

Multi-voltage electronic gear included (110-240 V / 50-60 Hz)

Luminaire		Measur.		Lamp		
Code	05-0070-14-14	Code	05-0070-14-14	Code	05-0070-14-14	
Name	Aplique led 6W	Name	Aplique led 1x6W	Number	1	
Line	- LEDS C4 LEDS	Date	15-02-2013	Position	Universal	
Efficiency	100.00%	Coordinate system	CG	Total Flux	339.55 lm	
Maximum value	128.24 cd	Position	C=90.00 G=110.00	Sym. on planes	270-90	
Rectangular Luminaire	Length	92 mm	Width	180 mm	Height	70 mm
Rectangular Luminous Area	Length	47 mm	Width	168 mm	Height	70 mm
Horizontal Luminous Area	0.007896 m2	Emitting area on Plane 180°	0.003290 m2			
Emitting area on Plane 0°	0.003290 m2	Emitting area on Plane 270°	0.011760 m2			
Emitting area on Plane 90°	0.011760 m2	Glare area at 76°	0.005102 m2			
Symmetry Type	Sym. on planes 270-90	Maximum Gamma Angle	180			
Measurement Distance	6.44	Measurement Flux	339.55 lm			
Operator	Asselum T2	Source voltage	230.00 V			
Temperature	20.00 °C	Source current	PRC			
Humidity	43.00 %	Photocell				
Notes						

Luminaire Lamps						
Line	Code	Name	Flux [lm]	Pow. [W]	Q.ty	
- LEDS C4 LEDS	05-0070-14-14	Lámpara led blanco 6W	339.55	6.00	1	
C.I.E.	30 64 87 38 100	D DIN 5040				D12
F UTE	0.38 l + 0.62 T	B NBN				BZ 7 / 1 / BZ 6

92mm x 180mm



C Halfplanes
 270.0 — 0.0
 180.0 — 90.0

ULOR 62.15 %
 DLOR 37.85 %
 RN 62.15 %

