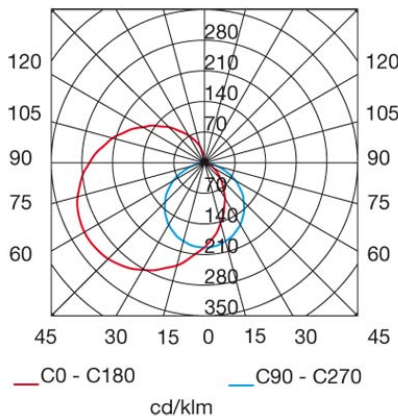
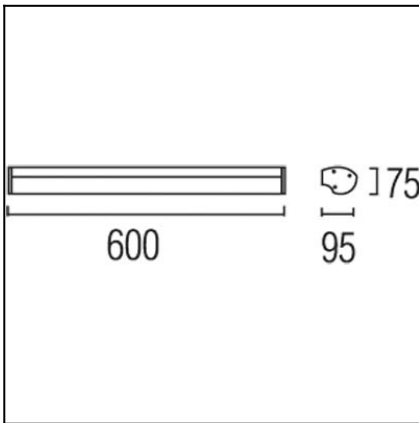


Design by Josep Patsí



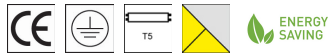
The photograph may not match the reference exactly. Please read the product description to identify the finish.



Download photometric file .ldt / .ies

TECHNICAL CHARACTERISTICS

Type:	Wall fixture
IP Protection degrees:	IP44
Lampholder:	1 x G5. Neutral white (5000 - 3700 K)
Power (W):	G5 24W
Bulb included:	1 x G5 24W. Neutral white (5000 - 3700 K)
Voltage / Frequency:	220-240V/50-60Hz
Warranty (Years):	2
Units per box:	1
Net Weight (Kg):	1.31
EAN:	8435071425650,00



MATERIALS / FINISHES

Structure material: Satin aluminium	Diffuser material: Polycarbonate
Structure finish: Anodized	Diffuser finish: Opal

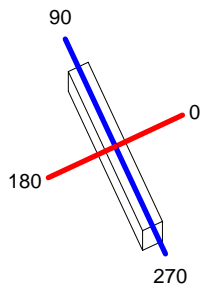
GEAR

Gear included: Yes, electronic

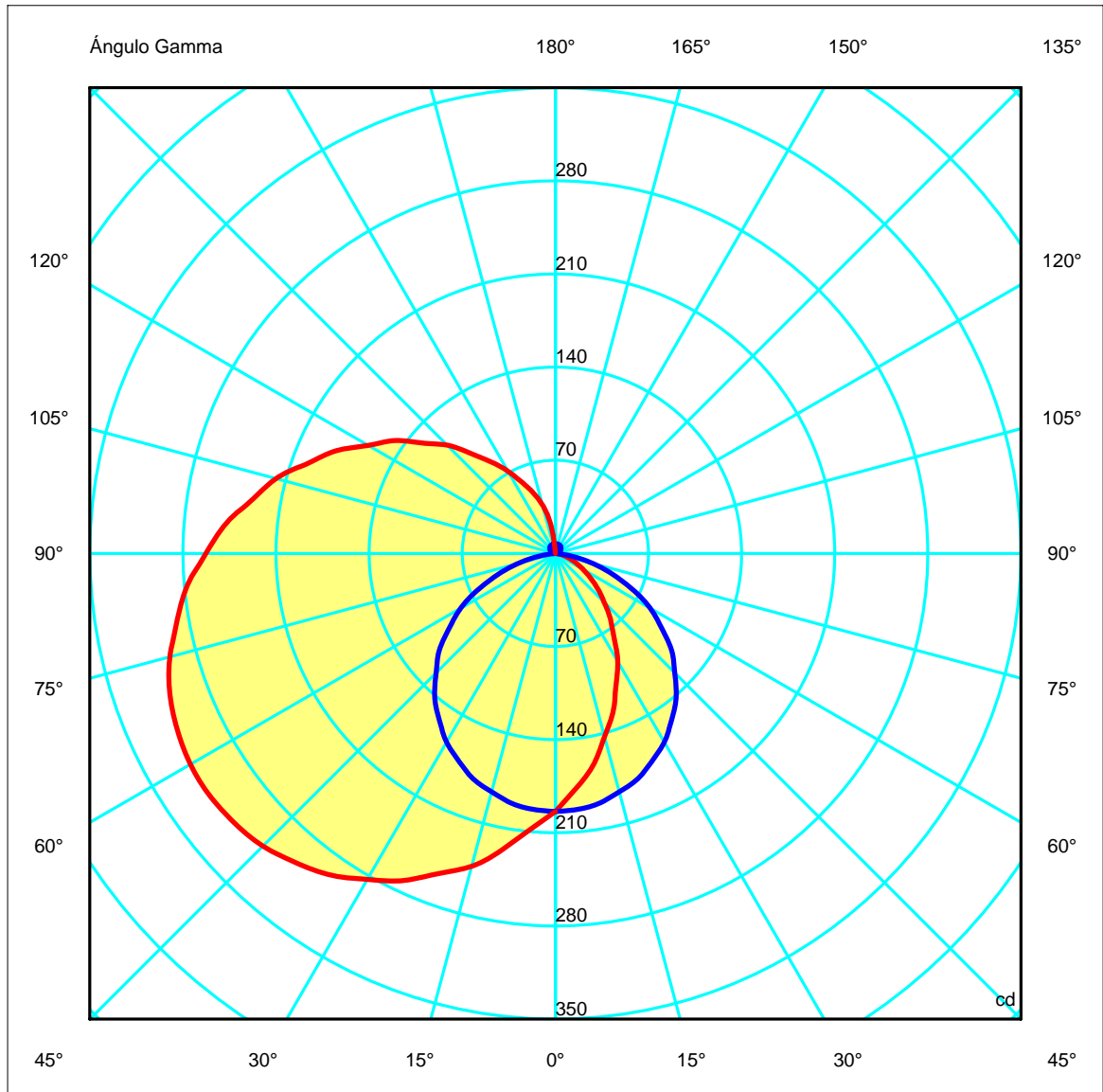
Luminaria		Ensayo		Lámpara	
Código	05-0265-Y6-M1	Código	05-0265-Y6-M1	Código	FQ 24 W/840 HO
Nombre	Aplique MIRROR 1x24W T5 opal	Nombre	Aplique MIRROR 1x24W T5 opal	Número	1
Familia	- LEDS-C4	Fecha	06-04-2010	Posición	Universal
Eficiencia	63.36%	Sist. de Coorden.	C-G	Flujo Total	1750.00 lm
Valor Máximo	317.33 cd	Posición	C=180.00 G=55.00	Sim. en los planos	0-180

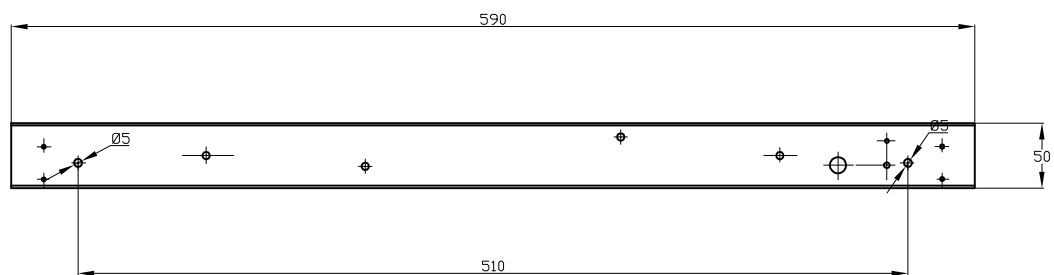
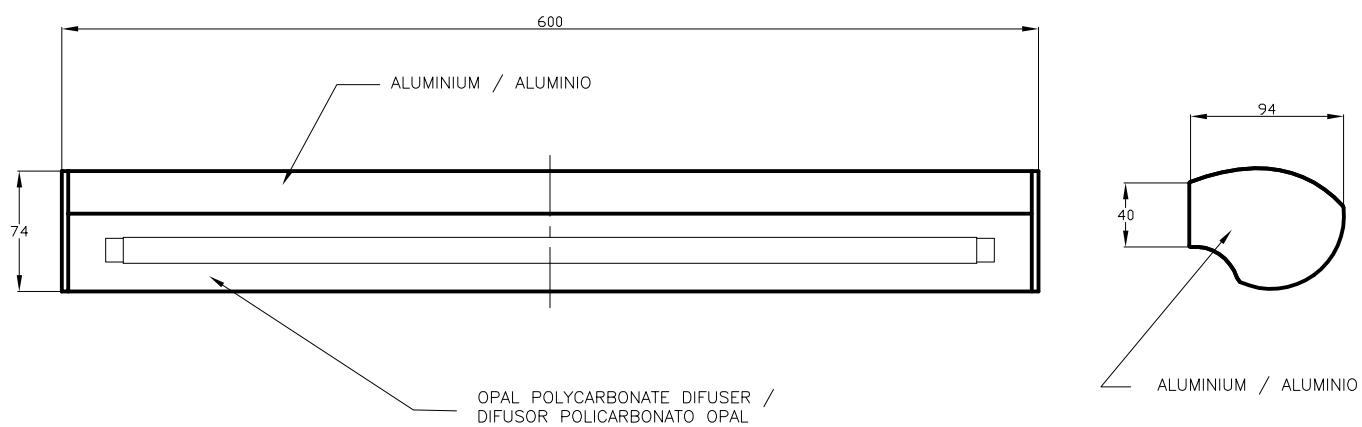
600mm x 75mm

Semiplanos C

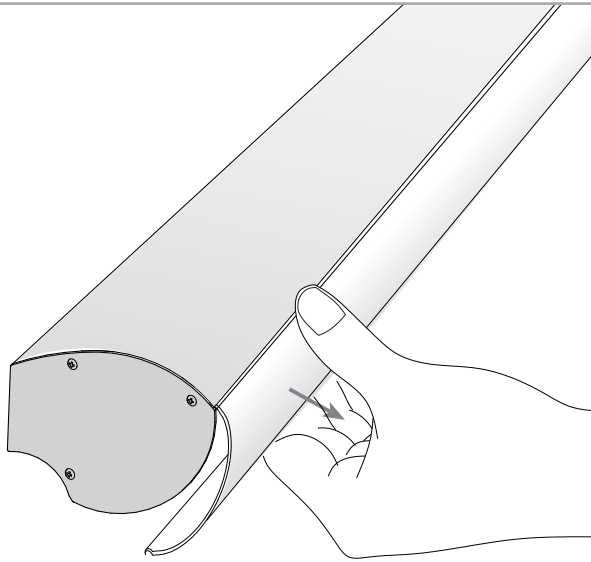


180.0 ——— 0.0
270.0 ——— 90.0

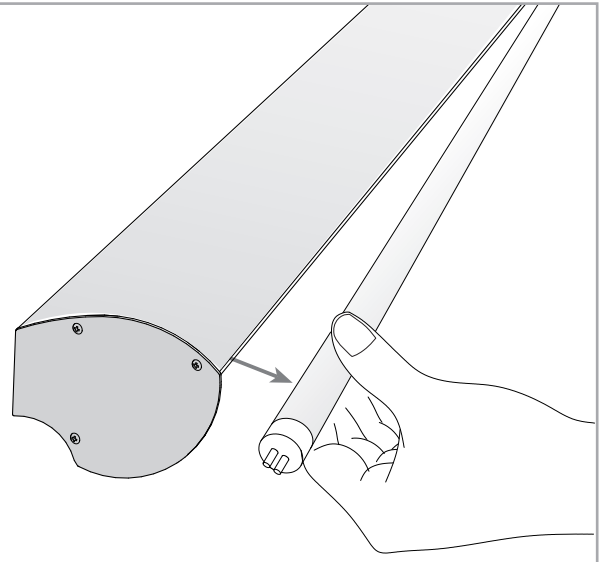




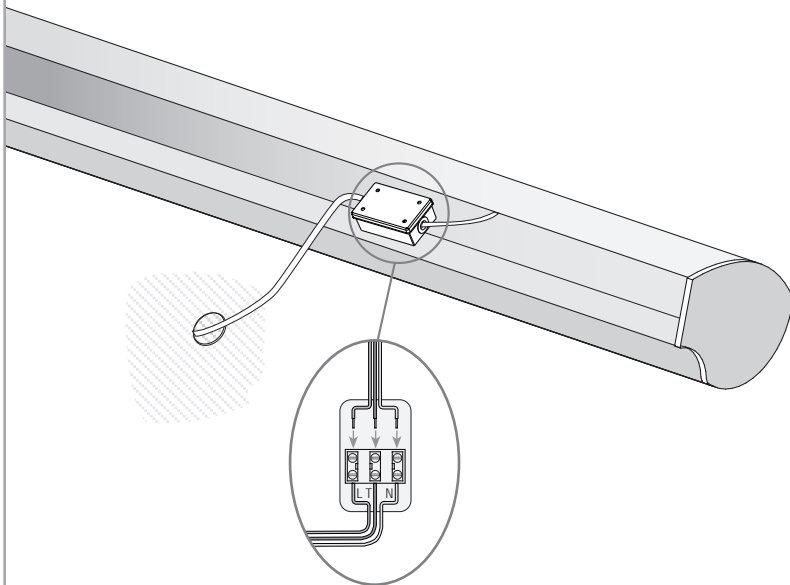
1



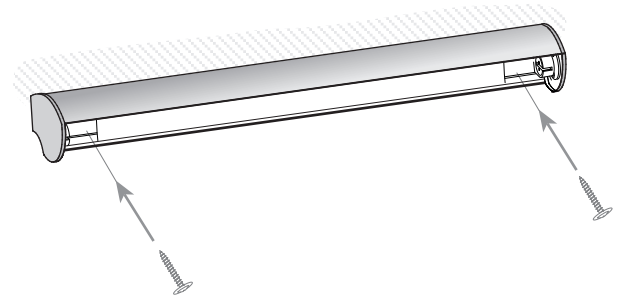
2



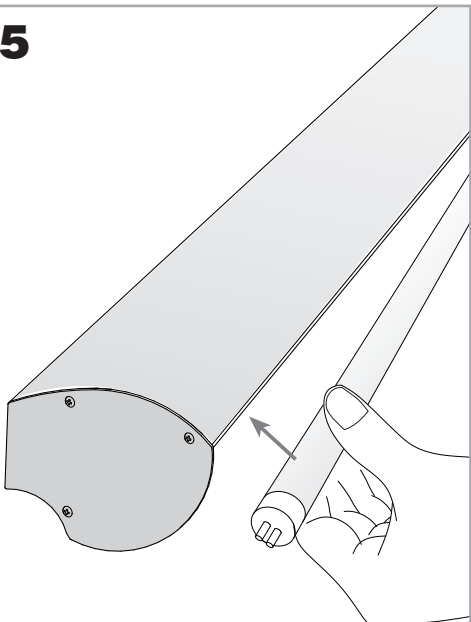
3



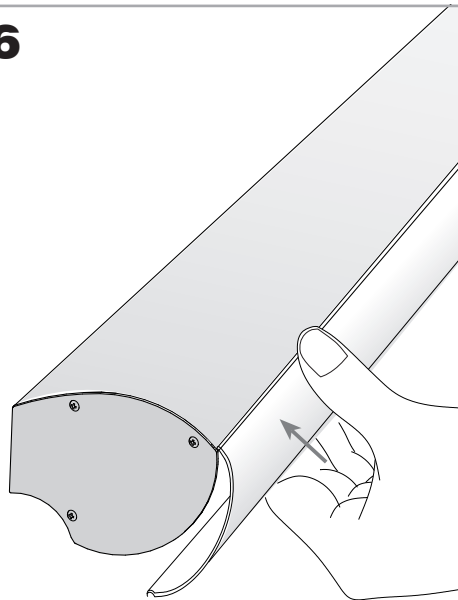
4



5



6



7

