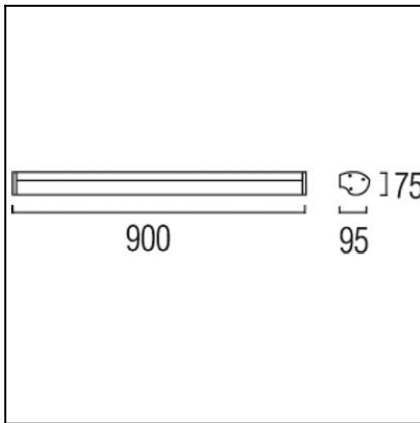


Design by Josep Patsí

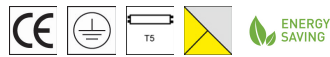


The photograph may not match the reference exactly. Please read the product description to identify the finish.



TECHNICAL CHARACTERISTICS

Type:	Wall fixture
IP Protection degrees:	IP44
Lampholder:	1 x G5. Neutral white (5000 - 3700 K)
Power (W):	G5 39W
Bulb included:	1 x G5 39W. Neutral white (5000 - 3700 K)
Voltage / Frequency:	220-240V/50-60Hz
Warranty (Years):	2
Units per box:	1
Net Weight (Kg):	1.73
EAN:	8435071425667,00

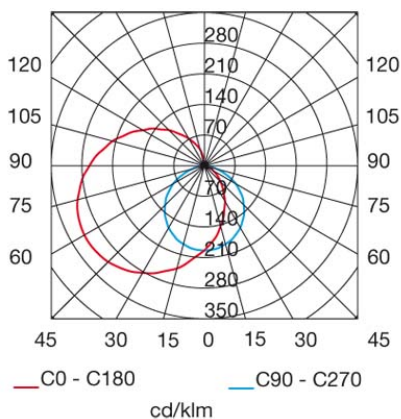


MATERIALS / FINISHES

Structure material: Satin aluminium	Diffuser material: Polycarbonate
Structure finish: Anodized	Diffuser finish: Opal

GEAR

Gear included: Yes, electronic

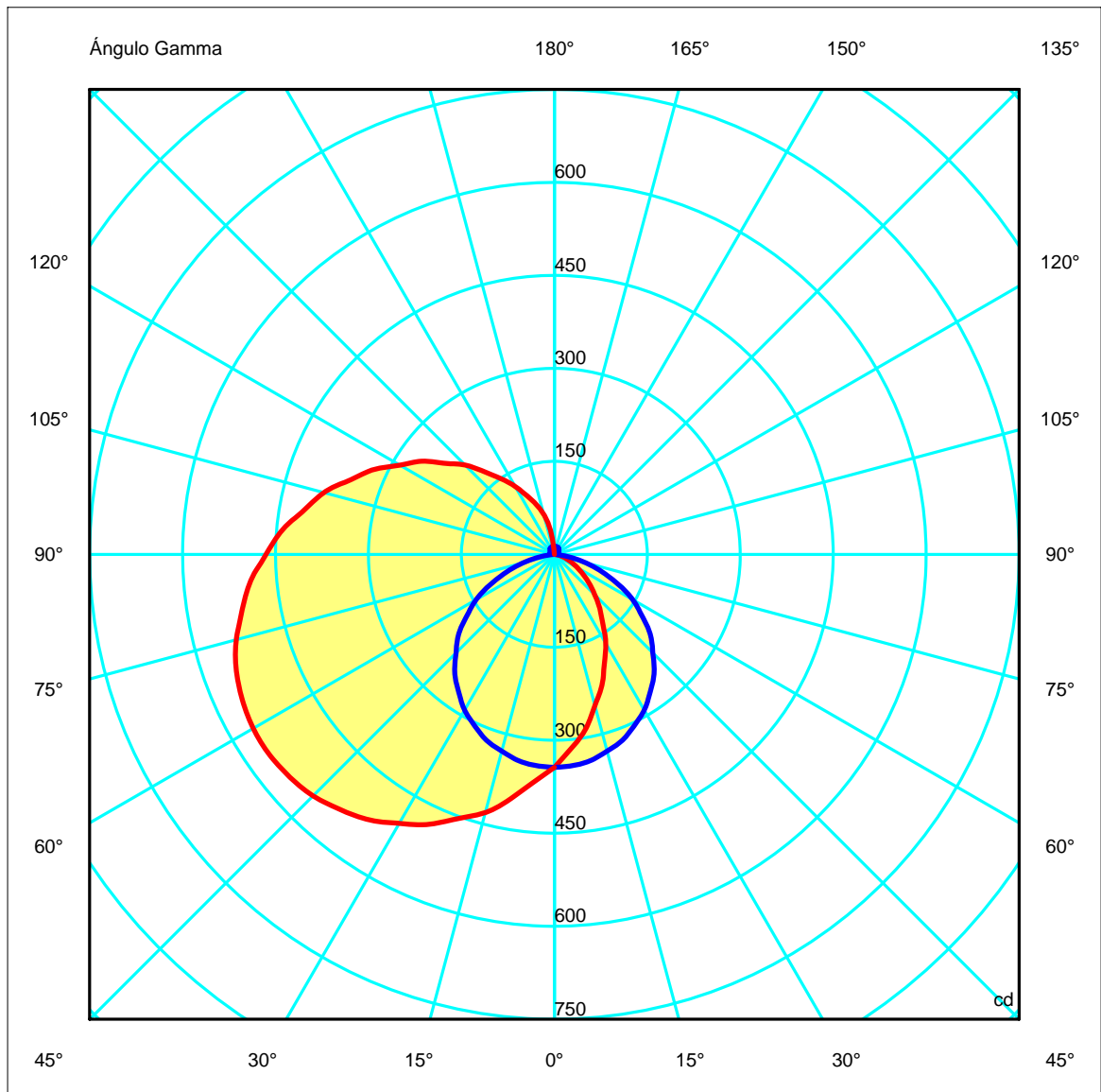
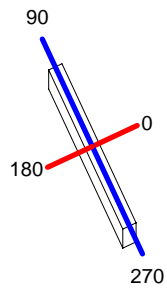


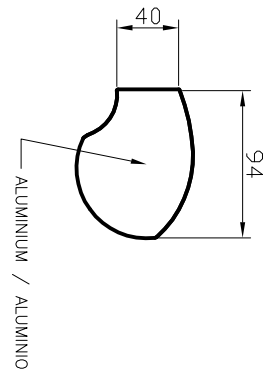
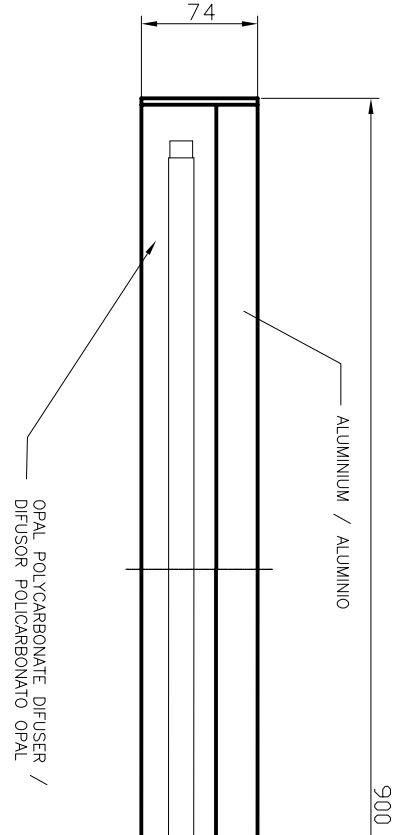
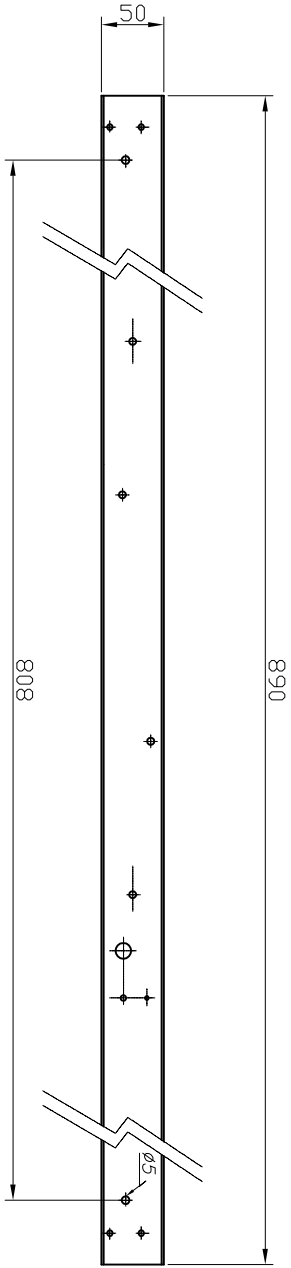
Download photometric file .ldt /.ies

Luminaria		Ensayo		Lámpara	
Código	05-0266-Y6-M1	Código	05-0265-Y6-M1	Código	FQ 39 W/840 HO
Nombre	Aplicado MIRROR 1x39W T5 opal	Nombre	Aplicado MIRROR 1x24W T5 opal	Número	1
Familia	- LEDS-C4	Fecha	06-04-2010	Posición	Universal
Eficiencia	63.36%	Sist. de Coorden.	C-G	Flujo Total	3100.00 lm
Valor Máximo	562.13 cd	Posición	C=180.00 G=55.00	Sim. en los planos	0-180

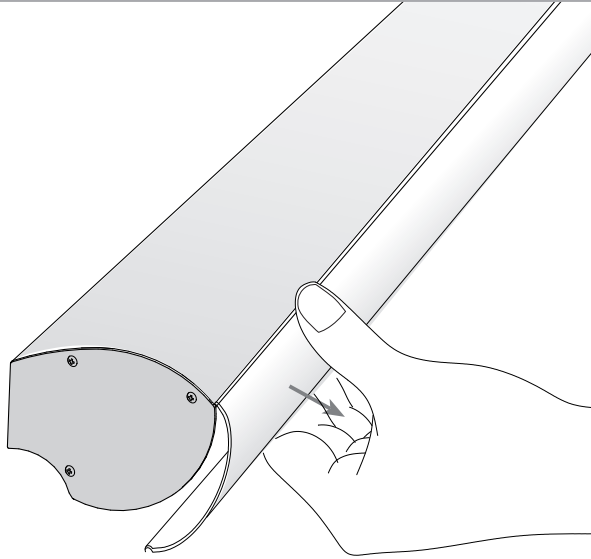
900mm x 75mm

Semiplanos C

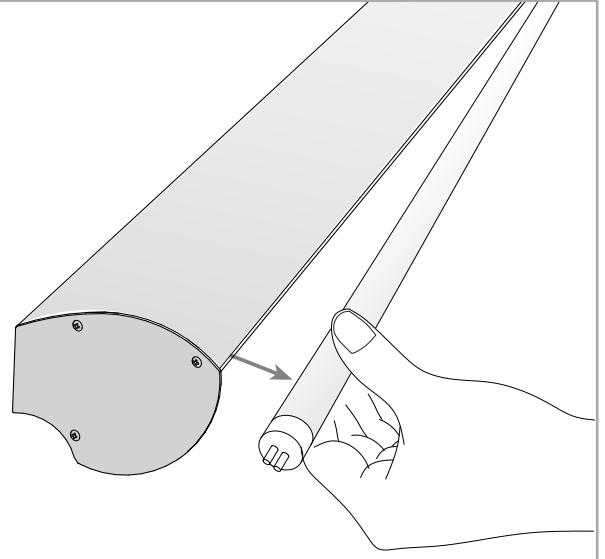




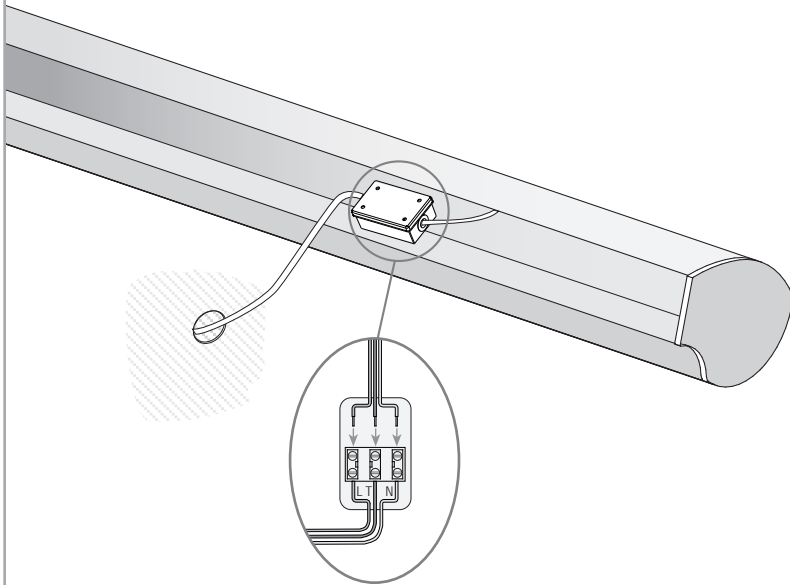
1



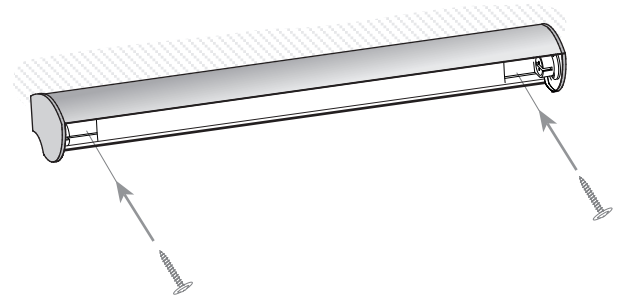
2



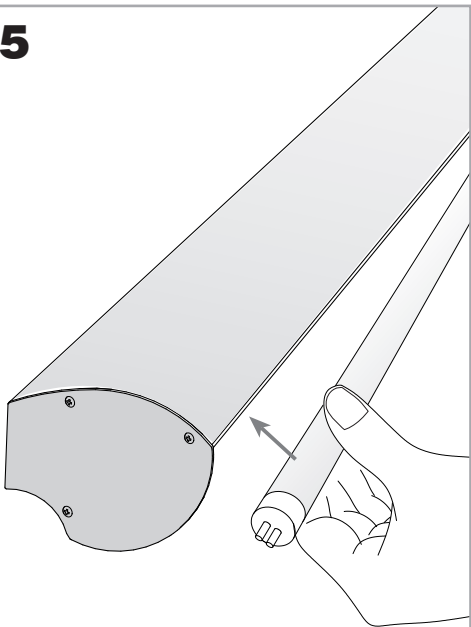
3



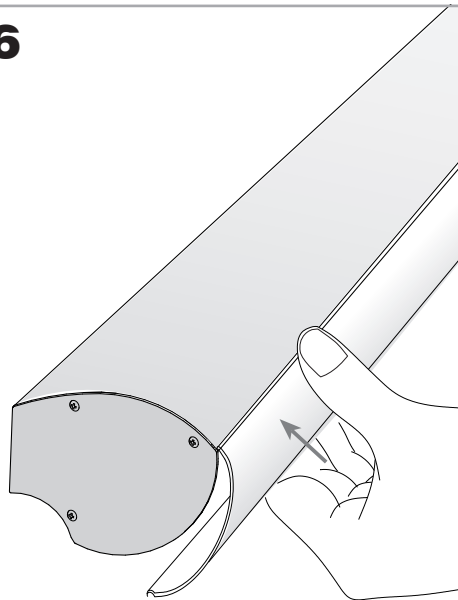
4



5



6



7

