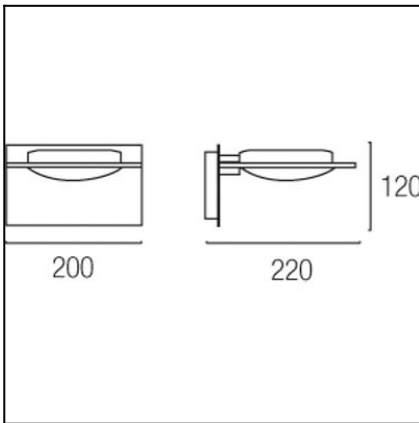


Design by Alex Sanchez


The photograph may not match the reference exactly. Please read the product description to identify the finish.


[Download photometric file .ldt / .ies](#)
TECHNICAL CHARACTERISTICS

Type:	Wall fixture
IP Protection degrees:	IP20
Lampholder:	1 x G9
Power (W):	G9 MAX 75W
Bulb included:	1 x G9 60W
Total power consumption (W):	75
Voltage / Frequency:	220-240V/50-60Hz
Warranty (Years):	2
Units per box:	6
Net Weight (Kg):	1.5
EAN:	8435071426336,00

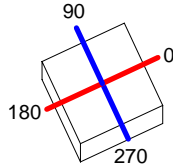

MATERIALS / FINISHES

Structure material: Steel
Structure finish: Satin nickel

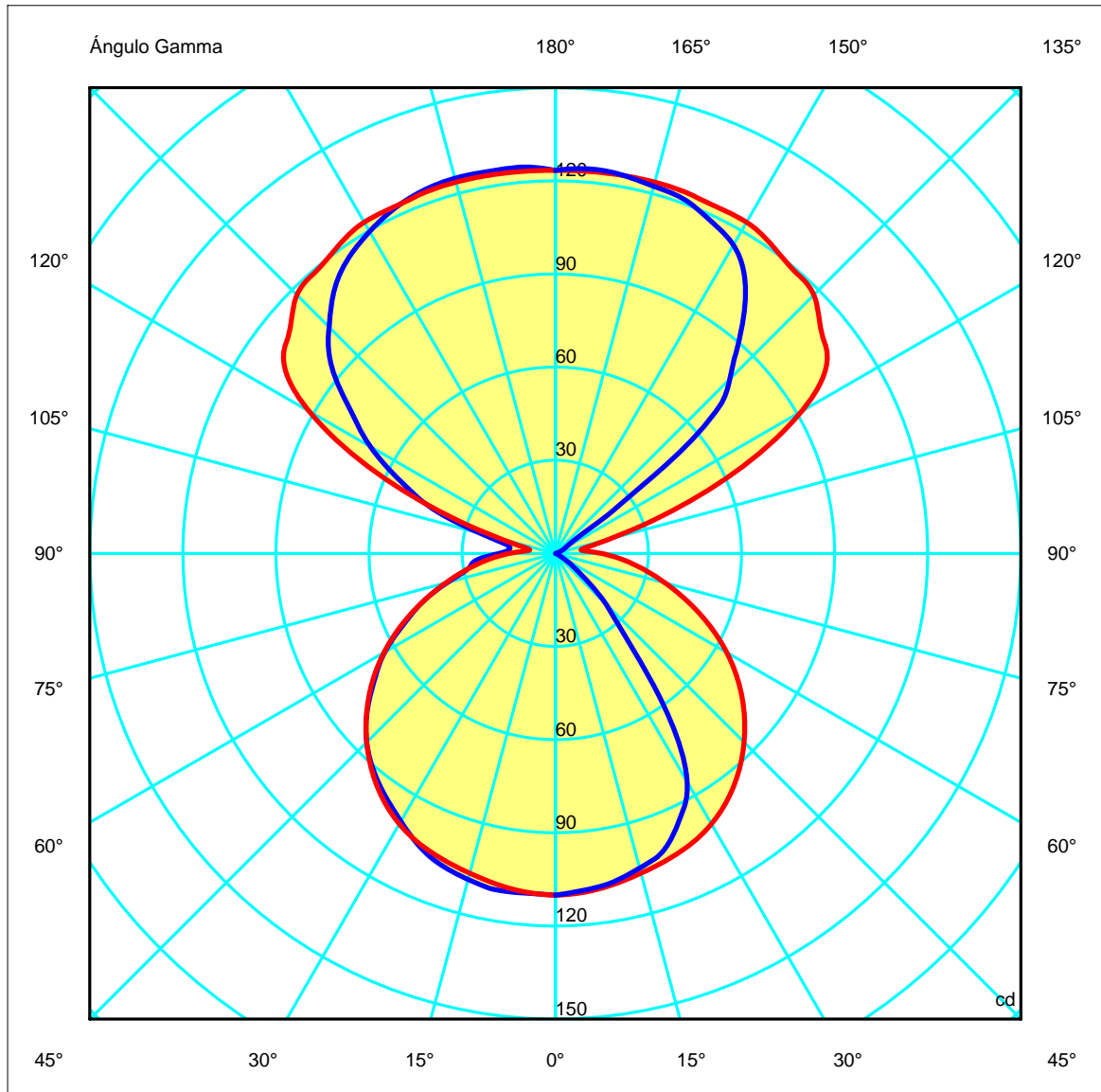
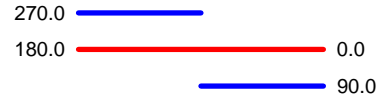
Diffuser material: Glass
Diffuser finish: Tinted

Luminaria		Ensayo		Lámpara	
Código	05-0325-81-E9	Código	05-0325-81-E9	Código	66675AM
Nombre	Apliche DUNA 1x75W G9 opal	Nombre	Apliche DUNA 1x75W G9 opal	Número	1
Familia	- LEDS-C4	Fecha	06-04-2010	Posición	Universal
Eficiencia	72.04%	Sist. de Coorden.	C-G	Flujo Total	1050.00 lm
Valor Máximo	125.11 cd	Posición	C=270.00 G=165.00	Sim. en los planos	270-90

200mm x 200mm

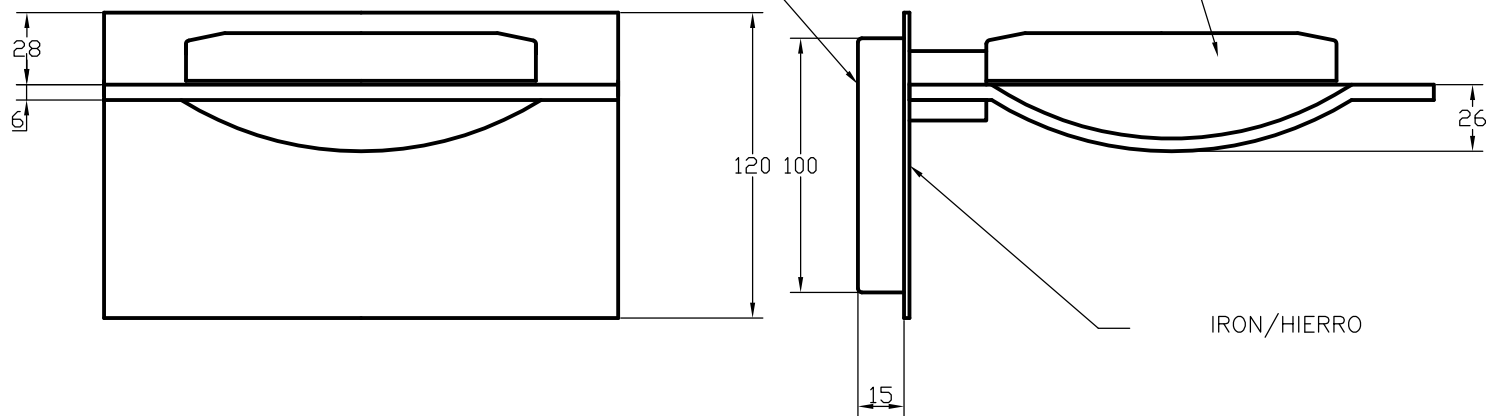


Semiplanos C

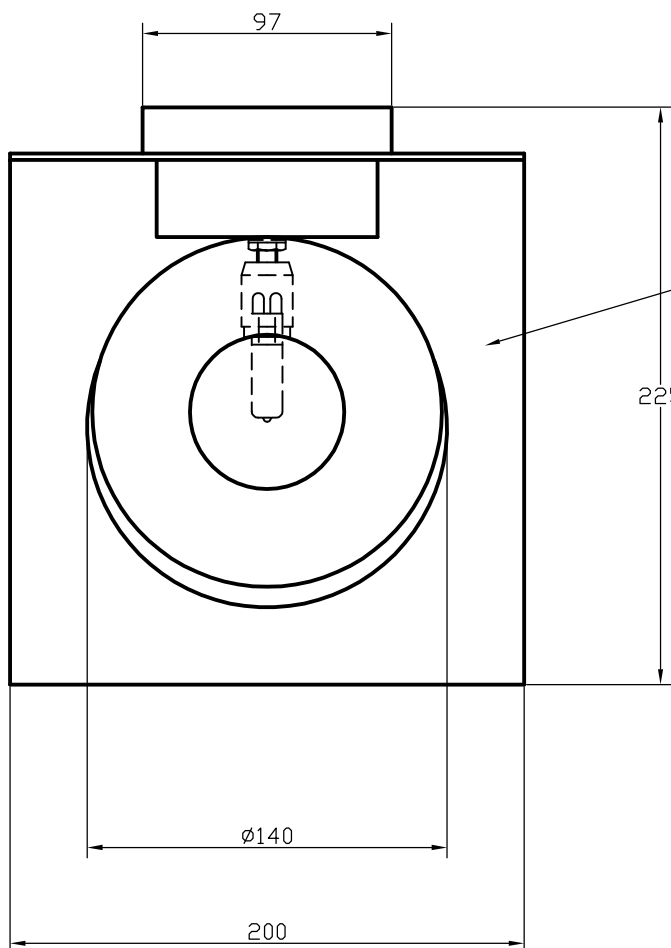


IRON/HIERRO

ALUMINIUM/ALUMINIO



IRON/HIERRO



OPTIC GLASS/CRISTAL OPTICO

