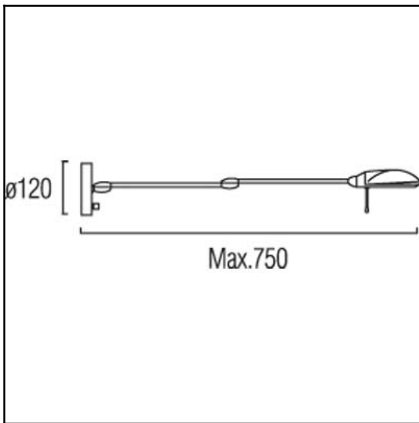
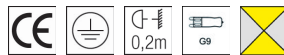


**Design by Benedito Design**


The photograph may not match the reference exactly. Please read the product description to identify the finish.

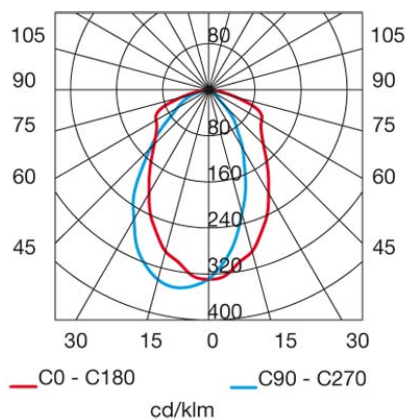

**TECHNICAL CHARACTERISTICS**

Type:	Wall fixture
Adjustable $\pm 180^\circ$ on the vertical axis	
IP Protection degrees:	IP20
Lampholder:	1 x G9
Power (W):	G9 MAX 75W
Bulb included:	1 x G9 60W
Total power consumption (W):	74
Voltage / Frequency:	220-240V/50-60Hz
Warranty (Years):	2
Units per box:	6
Net Weight (Kg):	1.23
EAN:	8435111027325,00


**MATERIALS / FINISHES**

**Structure material:** Steel  
**Structure finish:** Satin nickel

**Diffuser material:** Glass  
**Diffuser finish:** Tinted

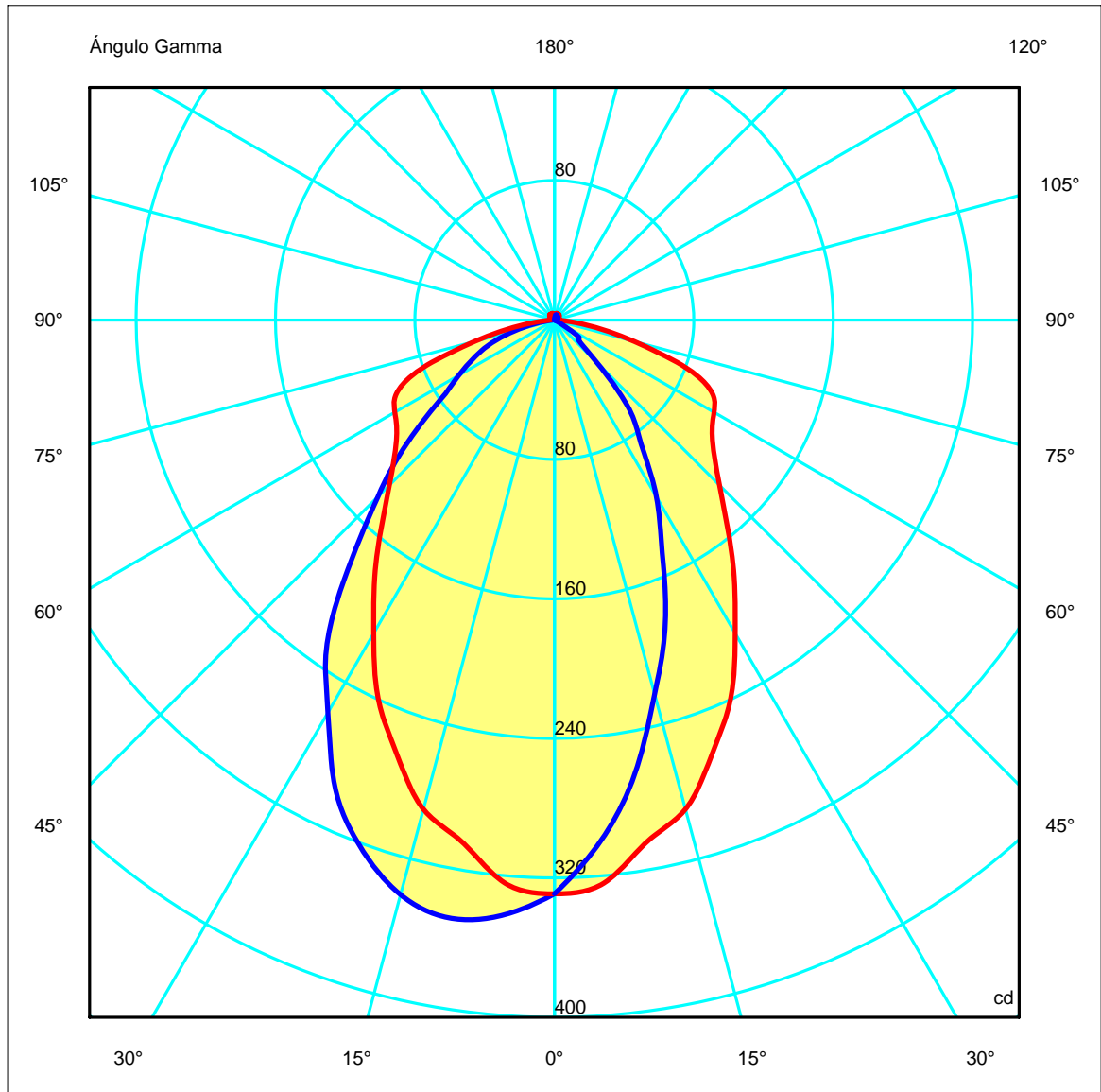
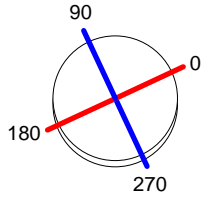
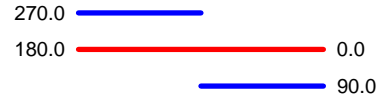


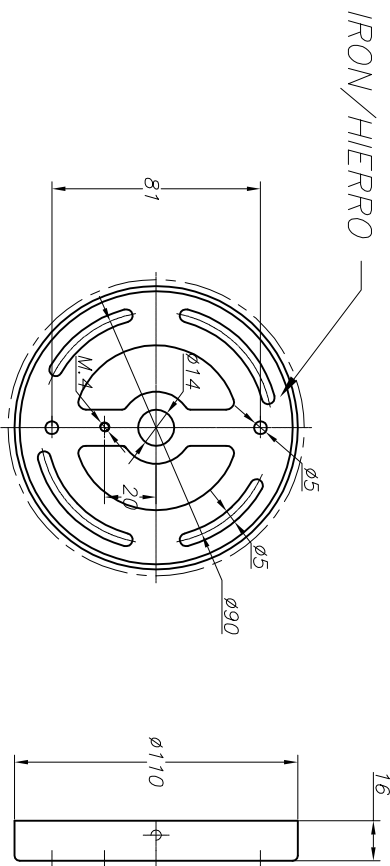
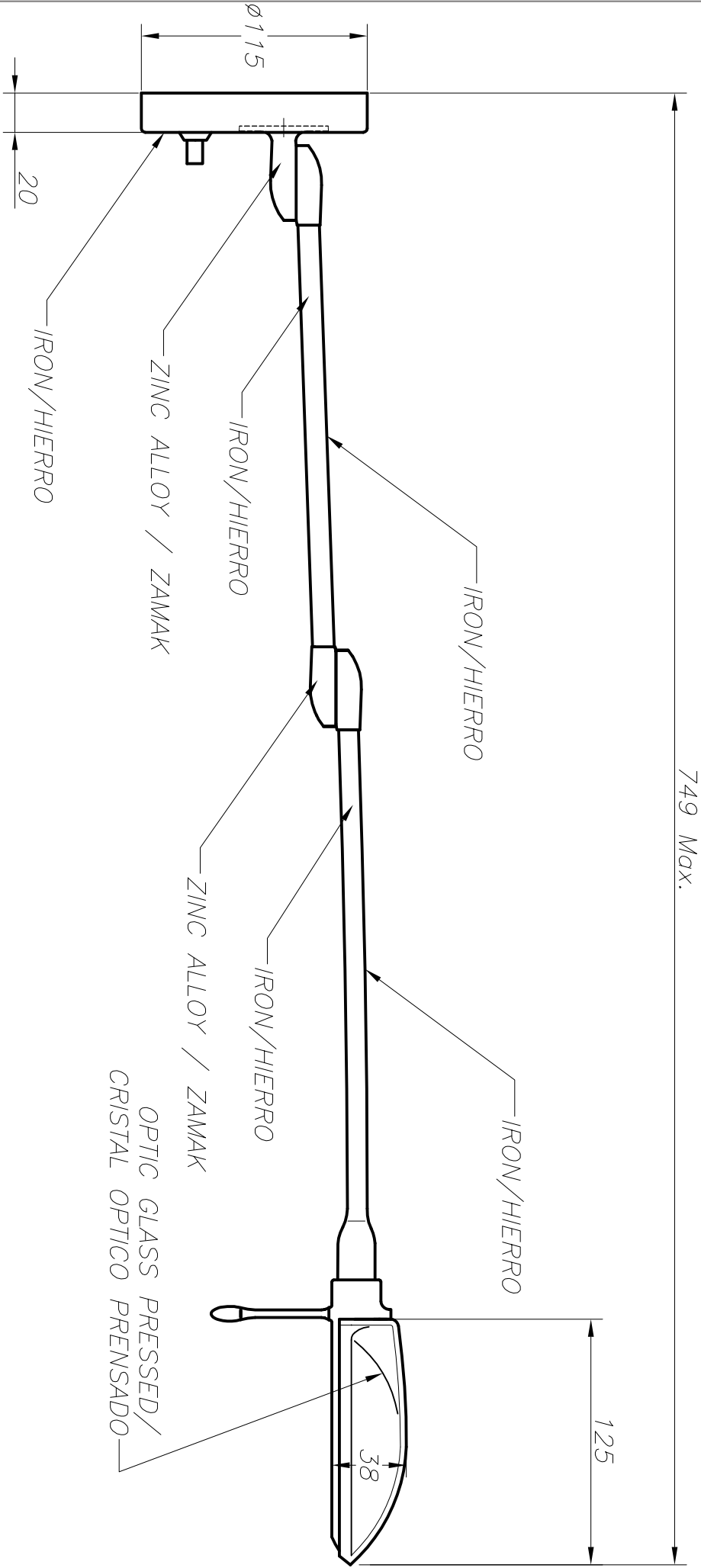
Download photometric file .ldt /.ies

<b>Luminaria</b>		<b>Ensayo</b>		<b>Lámpara</b>	
Código	05-0380-81-B8	Código	05-0378-81-B8	Código	66675AM
Nombre	Aplique SUITE 75W halogen G9	Nombre	Aplique SUITE 75W halogen G9	Número	1
Familia	- LEDS-C4	Fecha	14-09-2010	Posición	Universal
Eficiencia	56.44%	Sist. de Coorden.	C-G	Flujo Total	1050.00 lm
Valor Máximo	356.48 cd	Posición	C=285.00 G=10.00	Sim. en los planos	270-90

Diam=130mm

Semiplanos C







**GROK**

05-0378/10-0378/25-0378/05-0379/05-0380

