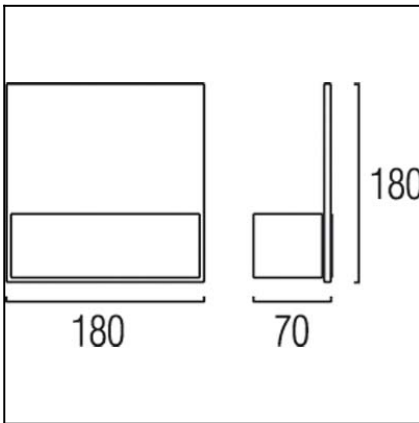


**Design by Josep Patsí**

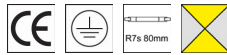

The photograph may not match the reference exactly. Please read the product description to identify the finish.



[Download photometric file .ldt / .ies](#)

**TECHNICAL CHARACTERISTICS**

Type:	Wall fixture
IP Protection degrees:	IP20
Lampholder:	1 x R7s
Power (W):	R7s MAX 100W
Bulb included:	1 x R7s 80W
Total power consumption (W):	100
Voltage / Frequency:	220-240V/50-60Hz
Warranty (Years):	2
Units per box:	12
Net Weight (Kg):	1.07
EAN:	8435111034538,00


**MATERIALS / FINISHES**

**Structure material:** Steel  
Zamak

**Diffuser material:** Glass

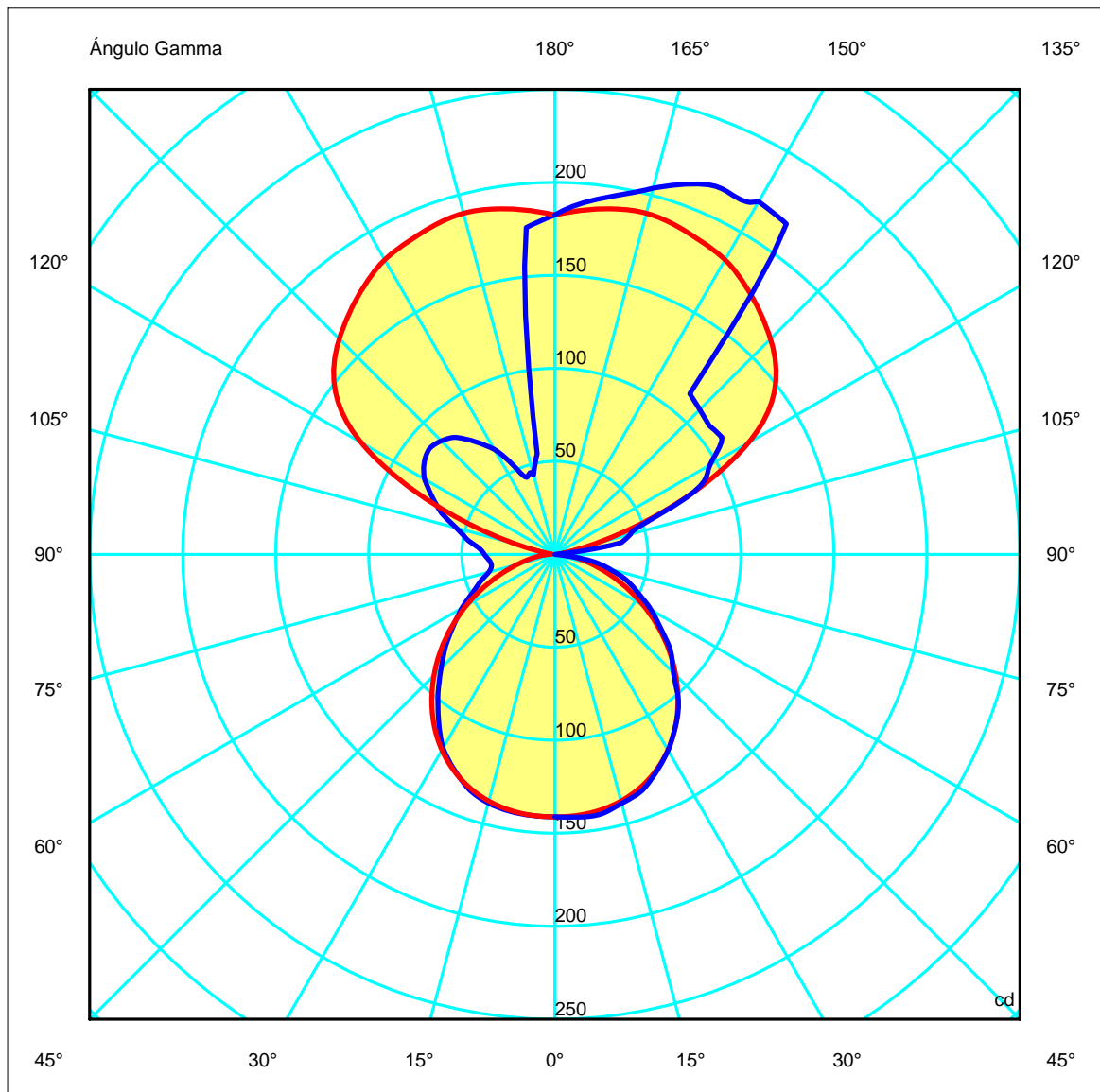
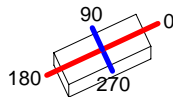
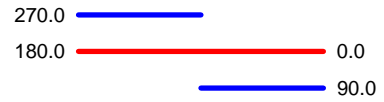
**Structure finish:** Satin nickel

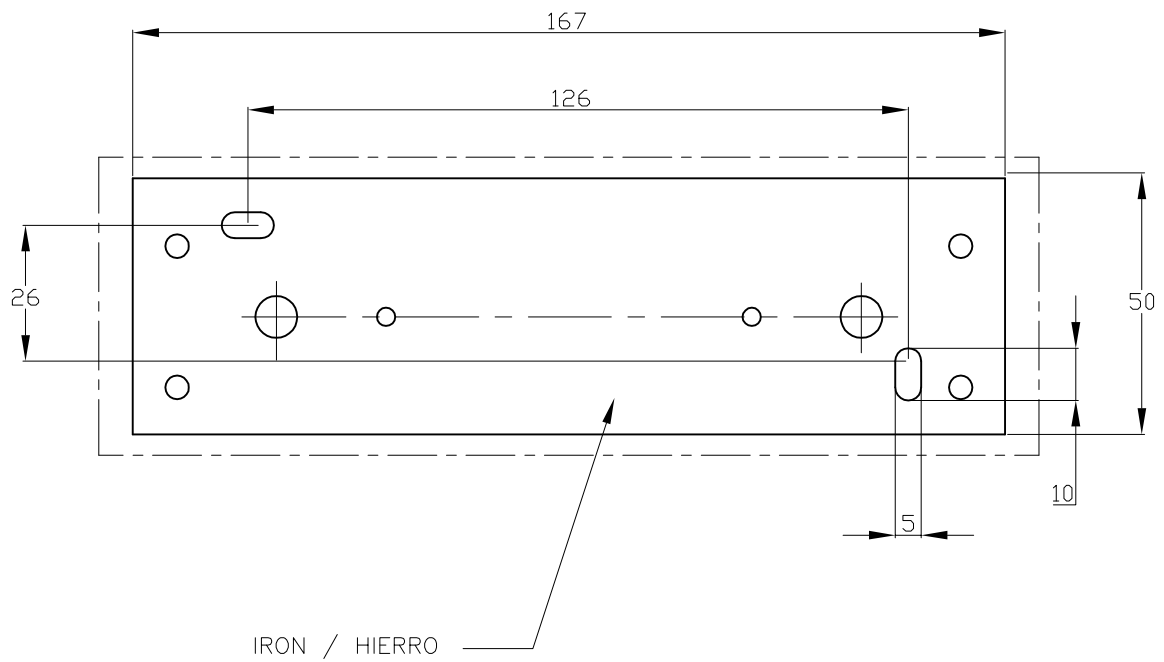
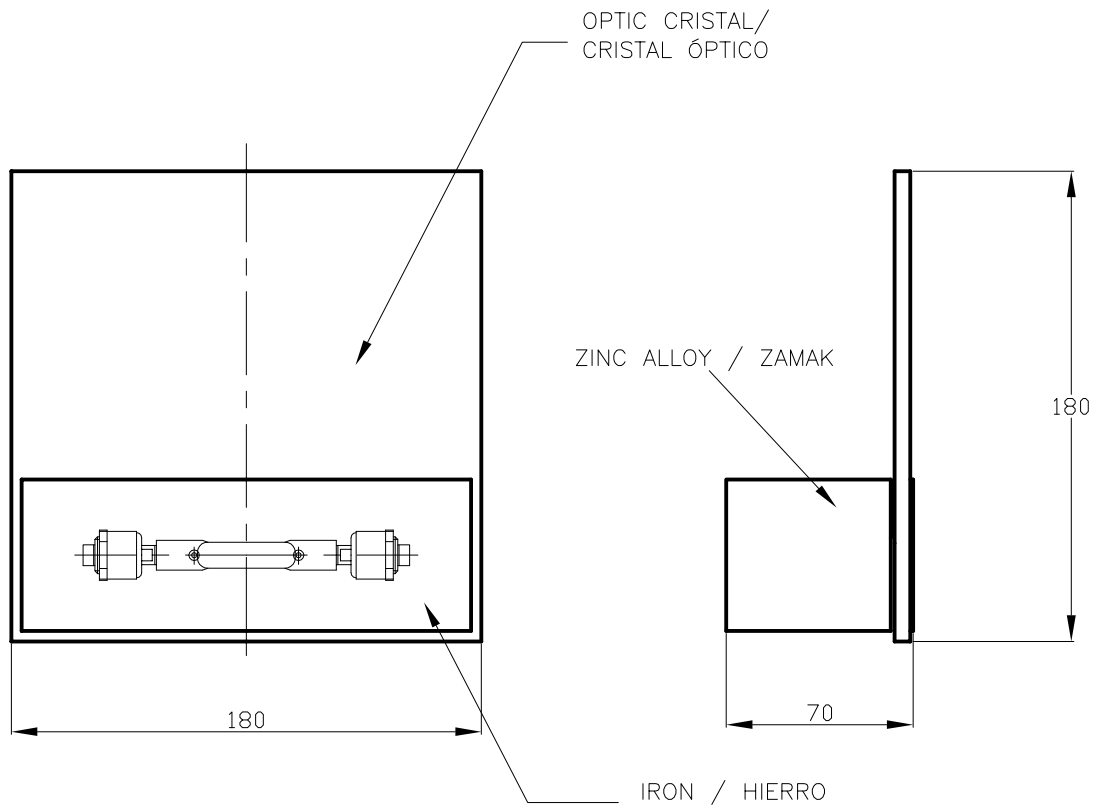
**Diffuser finish:** Tinted

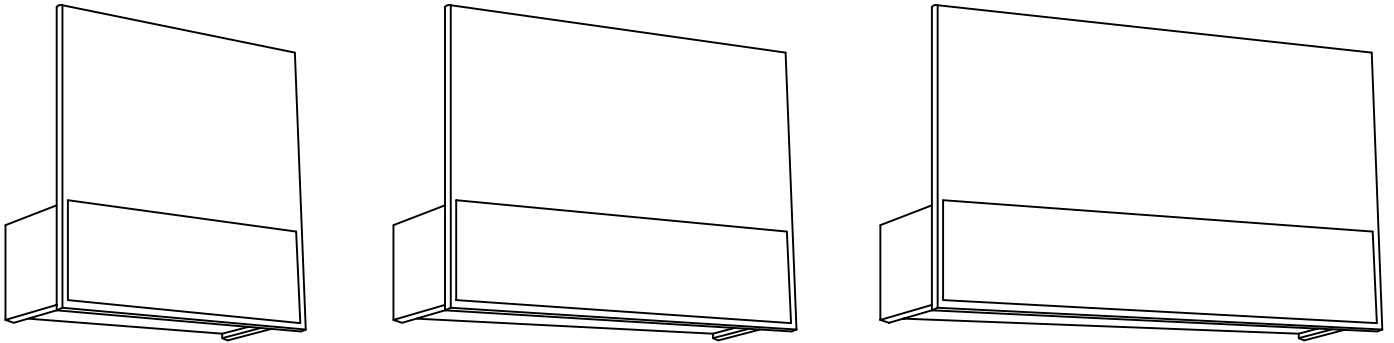
Luminaria		Ensayo		Lámpara	
Código	05-0570-81-B9	Código	05-0571-81-B9	Código	64690
Nombre	Aplicque FLAT 100W R7s opal	Nombre	Aplicque FLAT 2x150W R7s opal	Número	1
Familia	- LEDS-C4	Fecha	07-04-2010	Posición	Universal
Eficiencia	58.24%	Sist. de Coorden.	C-G	Flujo Total	1600.00 lm
Valor Máximo	223.81 cd	Posición	C=60.00 G=145.00	Sim. en los planos	270-90

70mm x 180mm

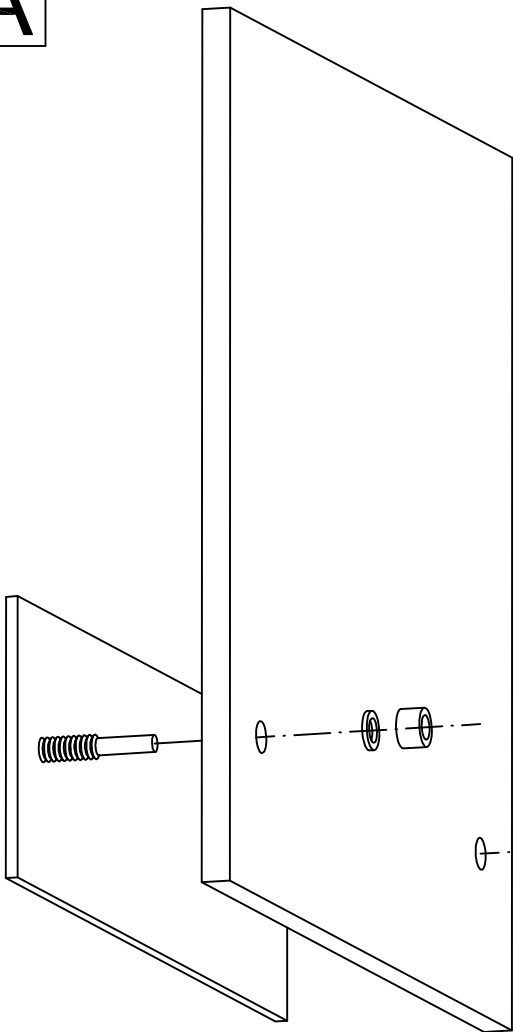
Semiplanos C



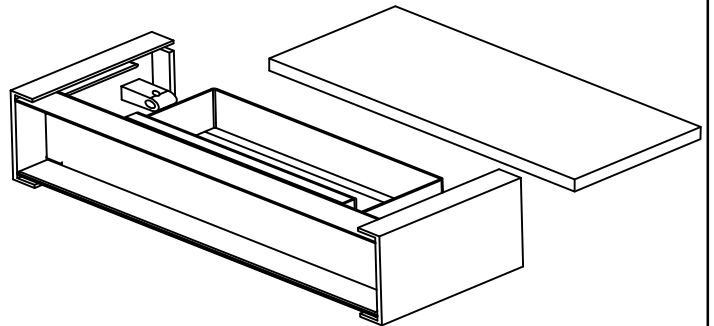




**A**



**B**



**C**

