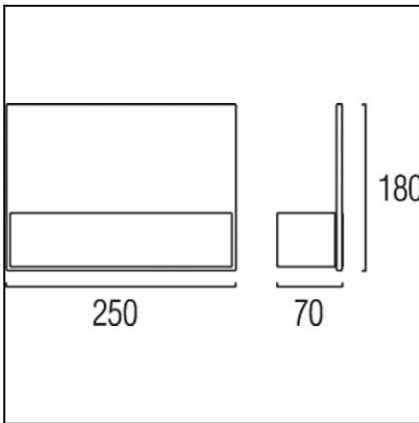


Design by Josep Patsí

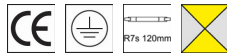


The photograph may not match the reference exactly. Please read the product description to identify the finish.



TECHNICAL CHARACTERISTICS

Type:	Wall fixture
IP Protection degrees:	IP20
Lampholder:	1 x R7s
Power (W):	R7s MAX 150W
Bulb included:	1 x R7s 120W
Total power consumption (W):	150
Voltage / Frequency:	220-240V/50-60Hz
Warranty (Years):	2
Units per box:	6
Net Weight (Kg):	1.59
EAN:	8435111034545,00



MATERIALS / FINISHES

Structure material: Steel
Zamak

Diffuser material: Glass

Structure finish: Satin nickel

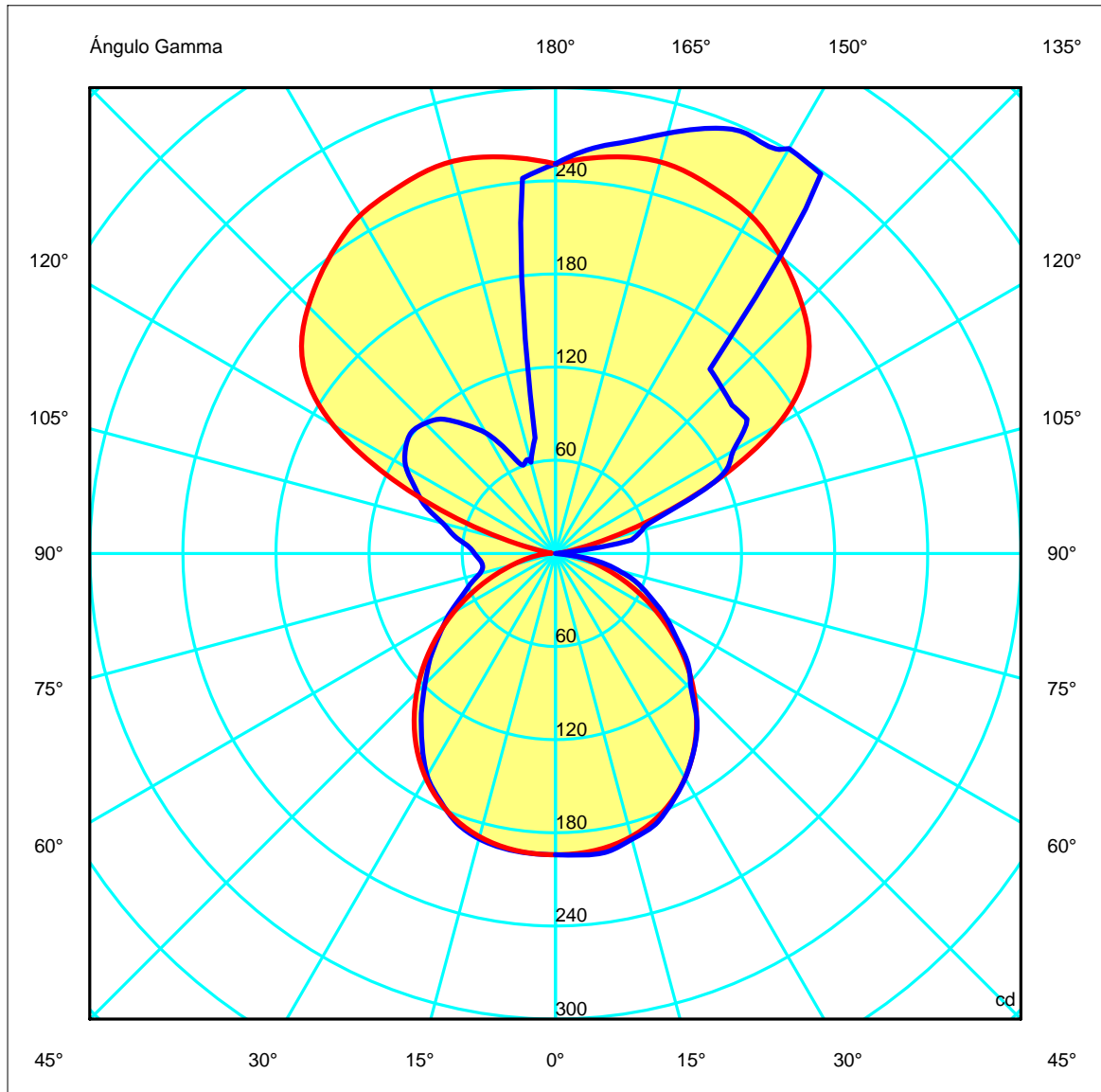
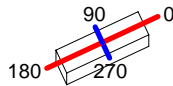
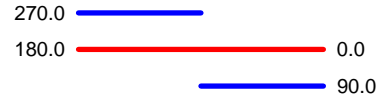
Diffuser finish: Tinted

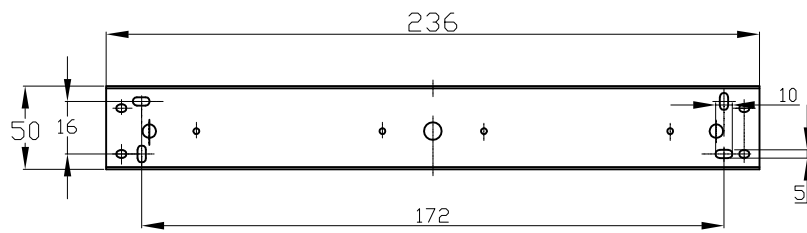
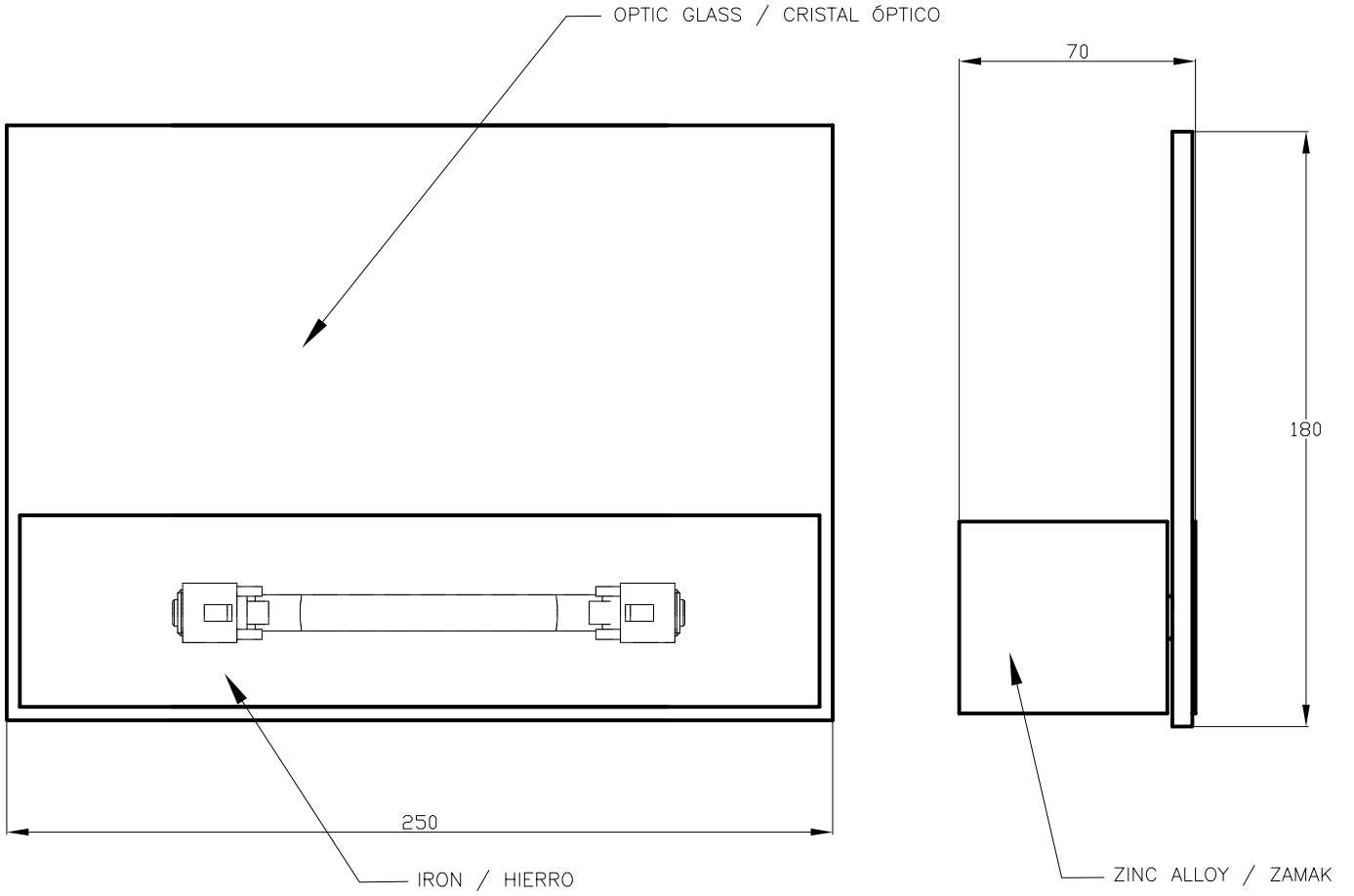
[Download photometric file .ldt / .ies](#)

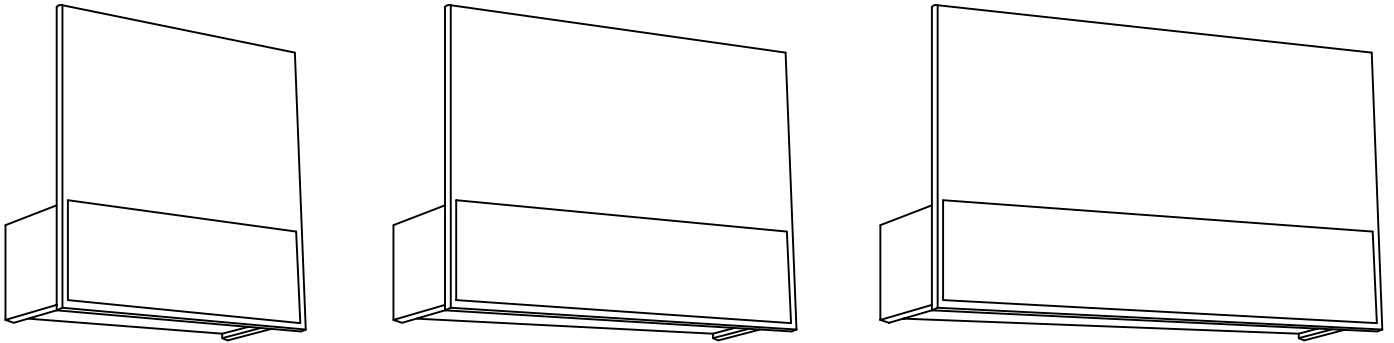
Luminaria		Ensayo		Lámpara	
Código	05-0571-81-B9	Código	05-0571-81-B9	Código	64696
Nombre	Aplicue FLAT 150W R7s opal	Nombre	Aplicue FLAT 2x150W R7s opal	Número	1
Familia	- LEDS-C4	Fecha	07-04-2010	Posición	Universal
Eficiencia	58.24%	Sist. de Coorden.	C-G	Flujo Total	2200.00 lm
Valor Máximo	307.74 cd	Posición	C=60.00 G=145.00	Sim. en los planos	270-90

70mm x 250mm

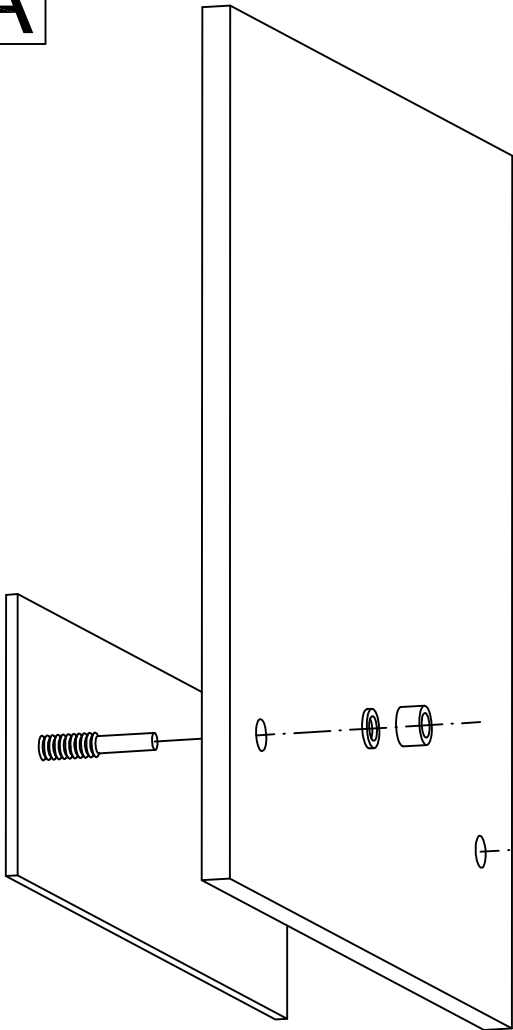
Semiplanos C



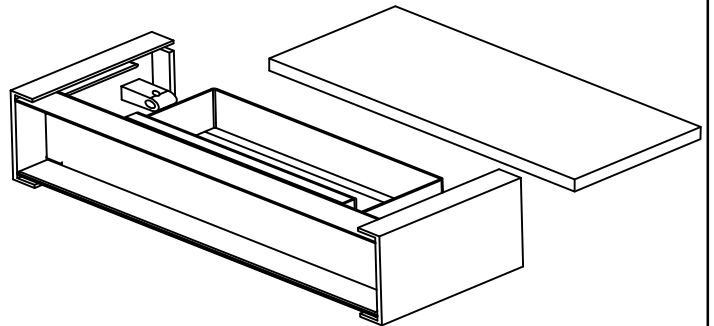




A



B



C

