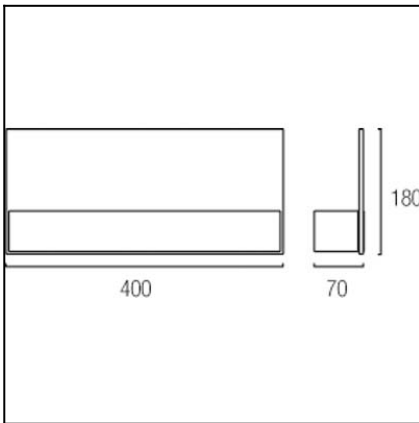
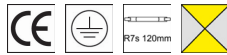


Design by Josep Patsí


The photograph may not match the reference exactly. Please read the product description to identify the finish.


TECHNICAL CHARACTERISTICS

Type:	Wall fixture
IP Protection degrees:	IP20
Lampholder:	2 x R7s
Power (W):	R7s MAX 150W
Bulb included:	2 x R7s 120W
Total power consumption (W):	300
Voltage / Frequency:	220-240V/50-60Hz
Warranty (Years):	2
Units per box:	6
Net Weight (Kg):	2.5
EAN:	8435111034552,00


MATERIALS / FINISHES

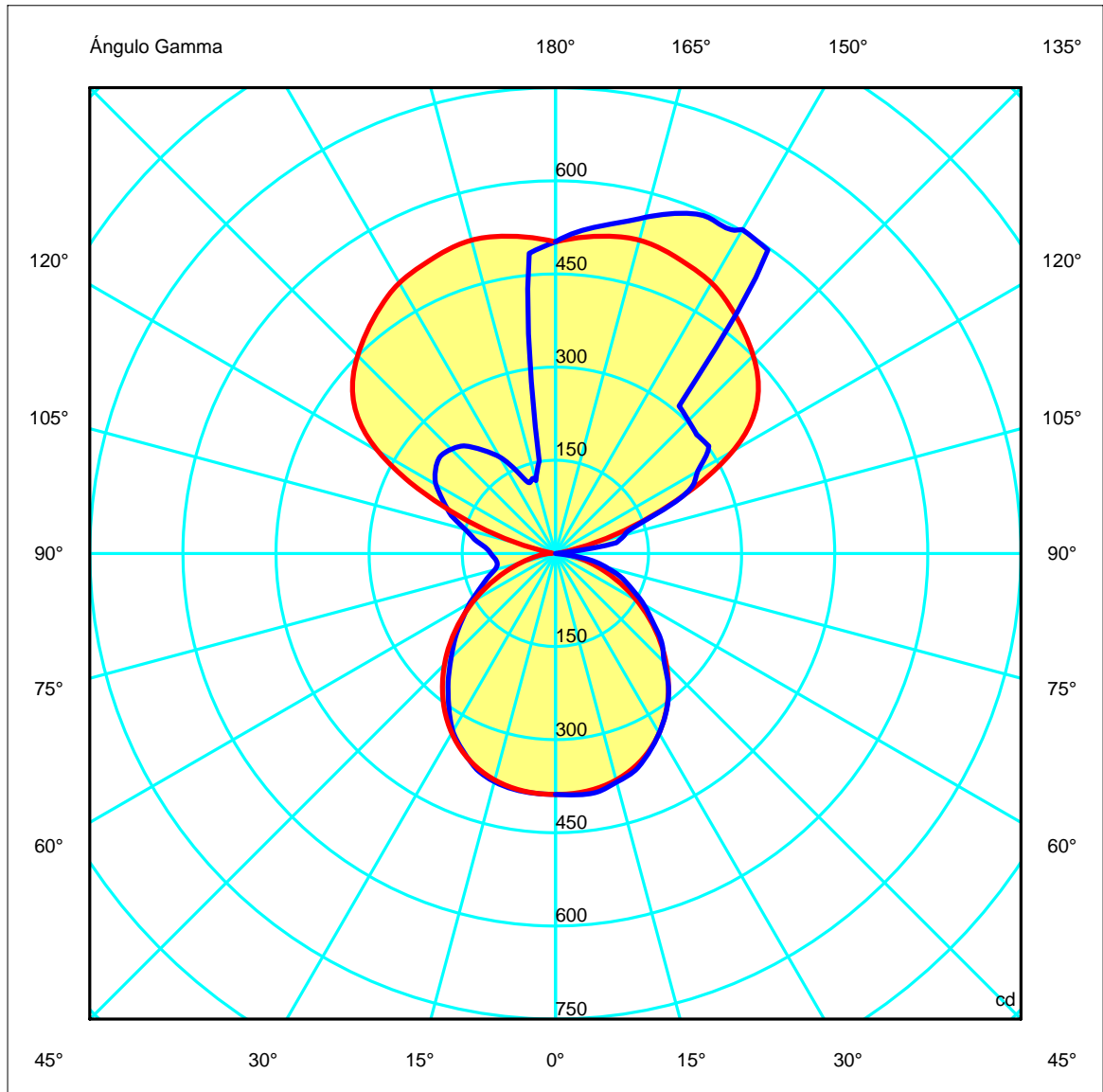
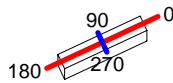
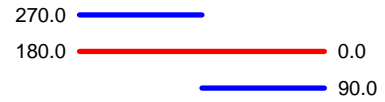
Structure material: Steel Zamak	Diffuser material: Glass
Structure finish: Satin nickel	Diffuser finish: Tinted

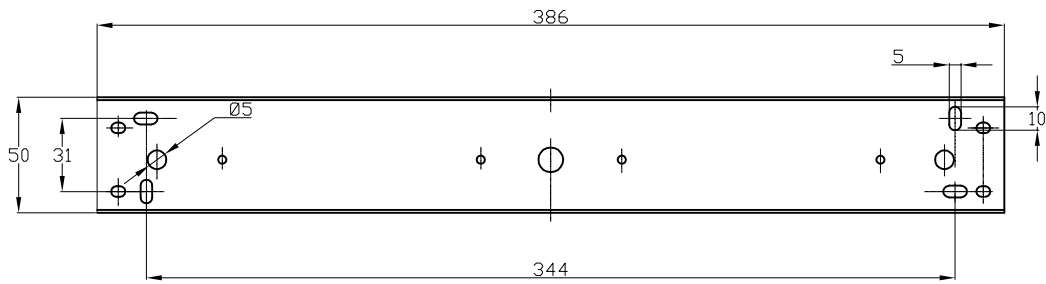
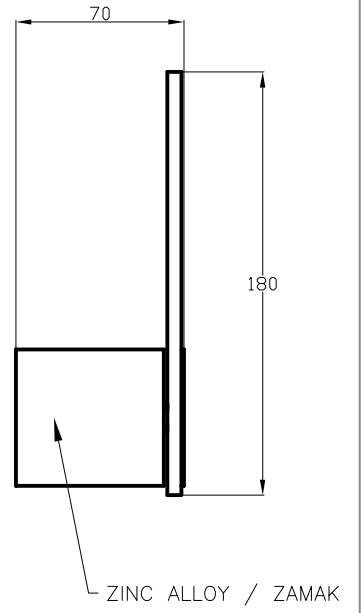
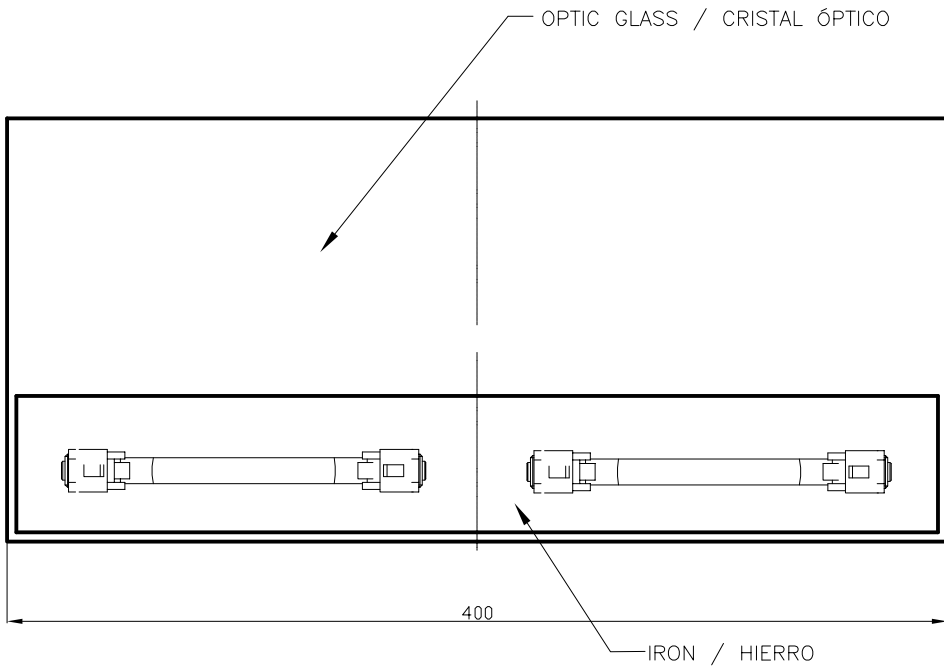
[Download photometric file .ldt / .ies](#)

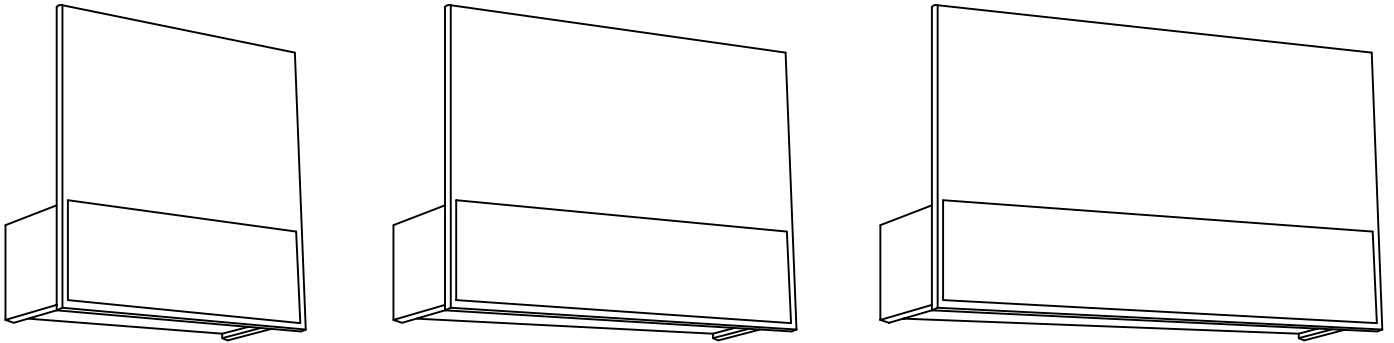
Luminaria		Ensayo		Lámpara	
Código	05-0572-81-B9	Código	05-0572-81-B9	Código	64696
Nombre	Aplicque FLAT 2x150W R7s opal	Nombre	Aplicque FLAT 2x150W R7s opal	Número	2
Familia	- LEDS-C4	Fecha	07-04-2010	Posición	Universal
Eficiencia	58.24%	Sist. de Coorden.	C-G	Flujo Total	4400.00 lm
Valor Máximo	615.48 cd	Posición	C=60.00 G=145.00	Sim. en los planos	270-90

70mm x 400mm

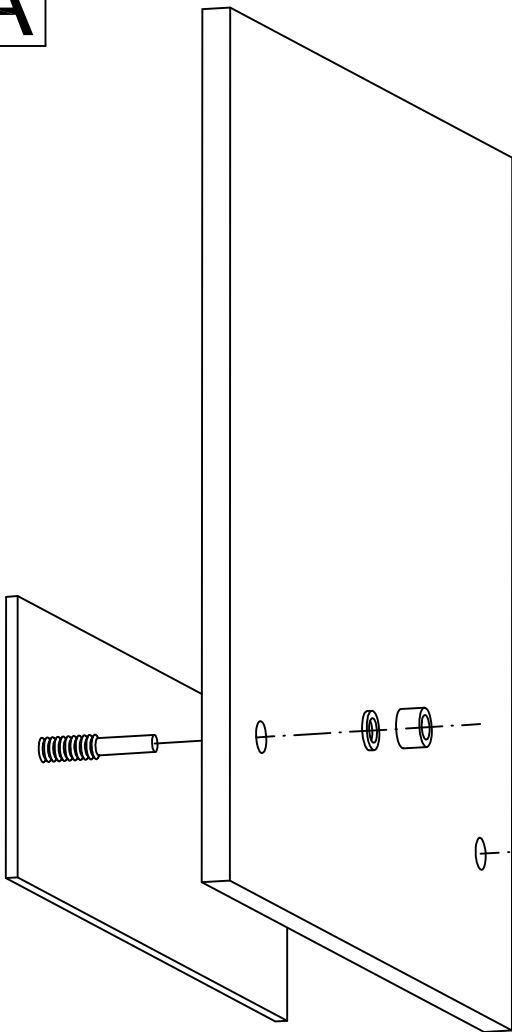
Semiplanos C



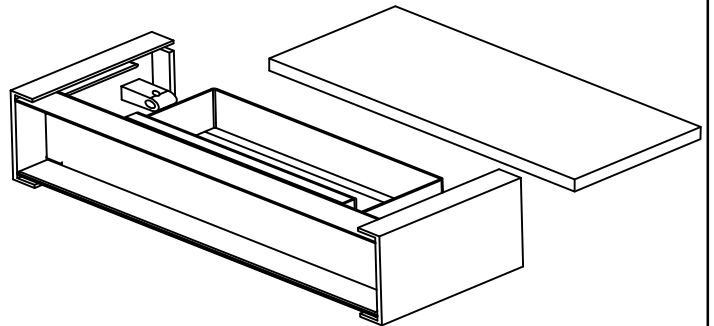




A



B



C

