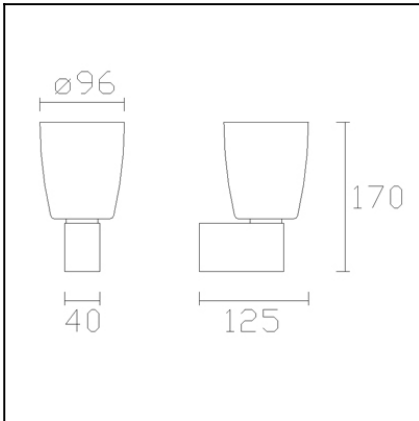


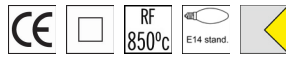


The photograph may not match the reference exactly. Please read the product description to identify the finish.



TECHNICAL CHARACTERISTICS

Type:	Wall fixture
IP Protection degrees:	IP44
Lampholder:	1 x E14
Power (W):	E14 40
Total power consumption (W):	40
Voltage / Frequency:	220-240V/50-60Hz
Warranty (Years):	2
Units per box:	8
Net Weight (Kg):	0.69
EAN:	8435111098714,00



MATERIALS / FINISHES

Structure material: Zamak
Steel

Structure finish: Chrome

Diffuser material: Tempered glass
Tempered glass

Diffuser finish: Opal white
Transparent

[Download photometric file .ldt /.ies](#)

Report No.: 05-1383

Test Time: 2012-12-7 10:45

Luminaire Property

Luminaire Manufacturer: LEDS-C4
 Luminaire Category: 05-1383
 Lamp Catalog: INCANDESCENT
 Number of Lamps: 1
 Luminous Length (mm): 96
 Luminous Height (mm): 170
 Current: 0.178 A
 Power Factor: 0.999

Luminaire Description: ORION
 Lamp Description: E14 40W
 Lumens per Lamp: 450
 Luminous Width (mm): 125
 Voltage: 220.7 V
 Power: 39.30 W

Photometric Results

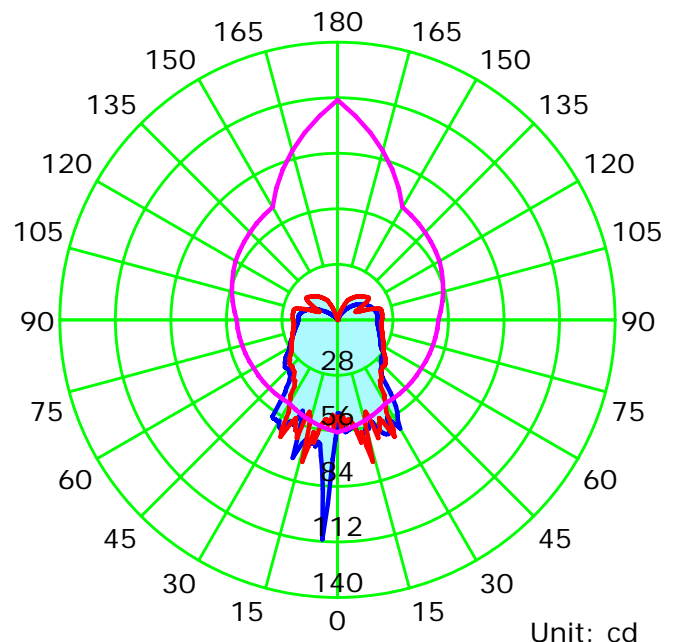
CIE Class: Semi-Direct
 Measurement Flux: 290.7 lm
 Downward Ratio: 44.92%
 Horizontal Diffuse Angle(10%,20%,50%,75%): H260.8,H204.5,H79.3,H40.7
 Vertical Diffuse Angle(10%,20%,50%,75%): V313.6,V284.1,V74.5,V55.4
 Luminaire Efficacy Rating (LER): 7
 Max. Intensity: 110.91 cd

Total Rated Lamp Lumens: 450.0 lm
 Efficiency: 64.59%
 Upward Ratio: 19.68%
 Central Intensity: 47.05 cd
 Pos of Max. Intensity: H180 V4

Picture Of Luminaire



Luminous Intensity Distribution Curve



Average Diffuse Angle(50%): 76.9°

— C0-C180 — C90-C270 — G4

C Plane (°):0.0-180.0: 30.0

Test Lab:

Test Type: TYPE C

Temperature:

Operator:

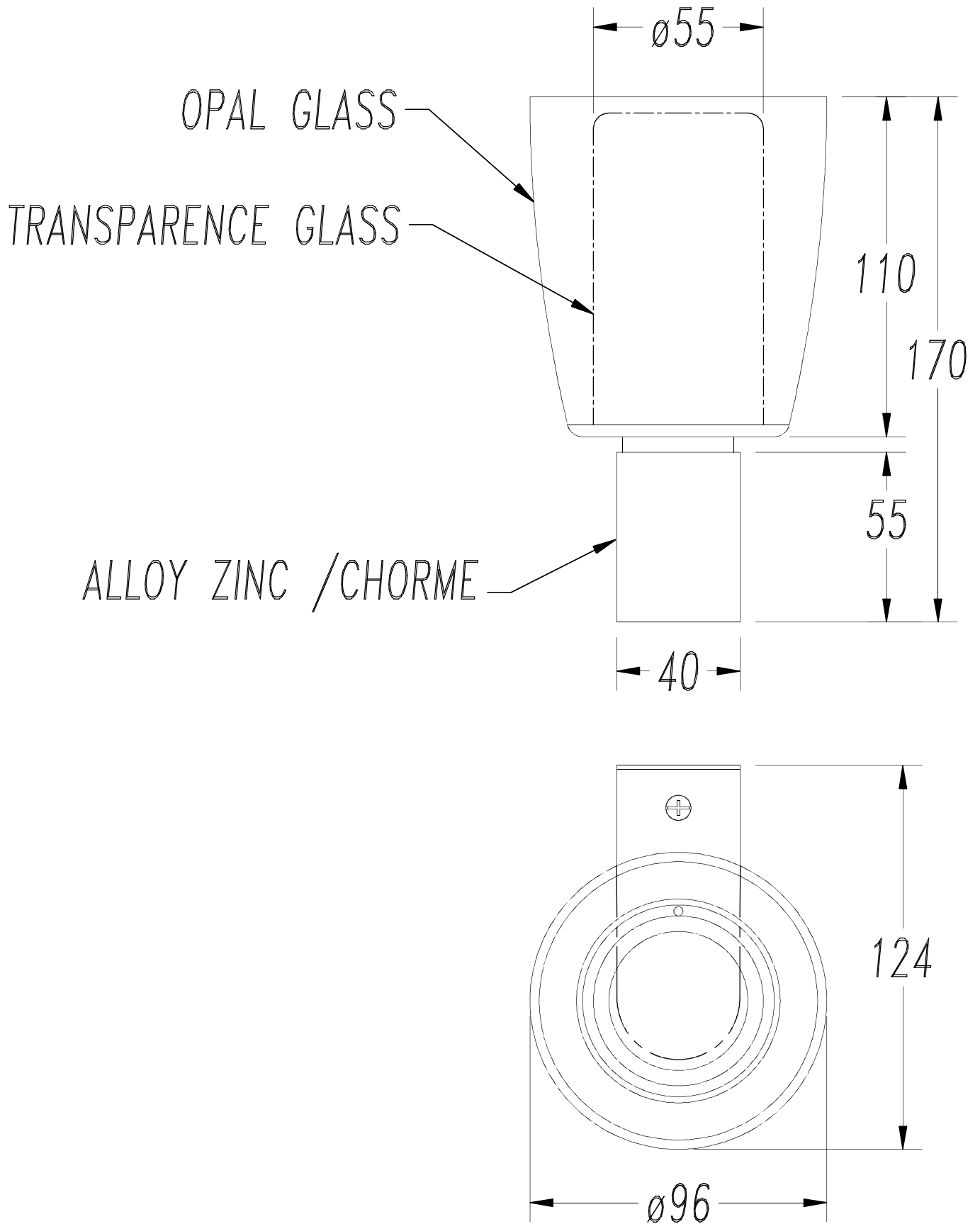
Gamma Plane (°):0.0-180.0:1.0

Test Device: GPM-1800B

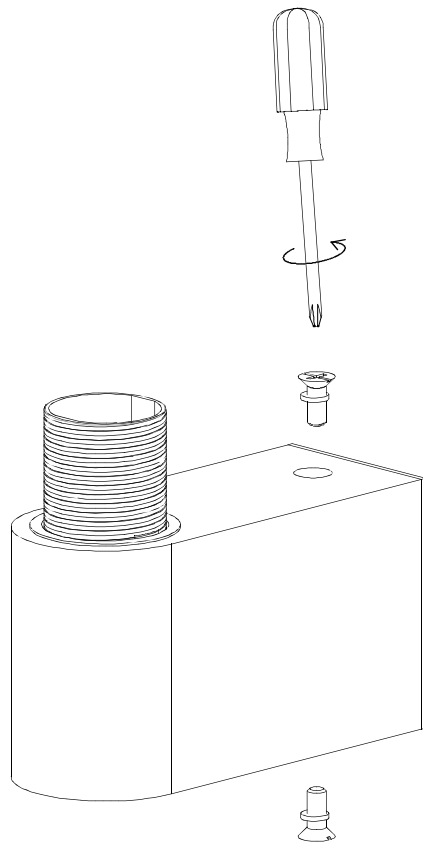
Distance: 5.107 m

Humidity:

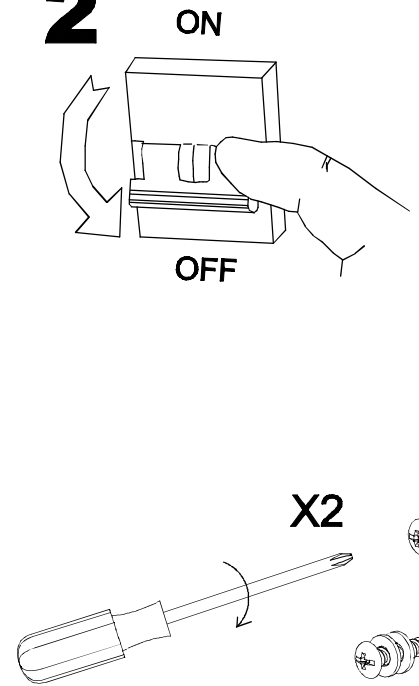
Inspector:



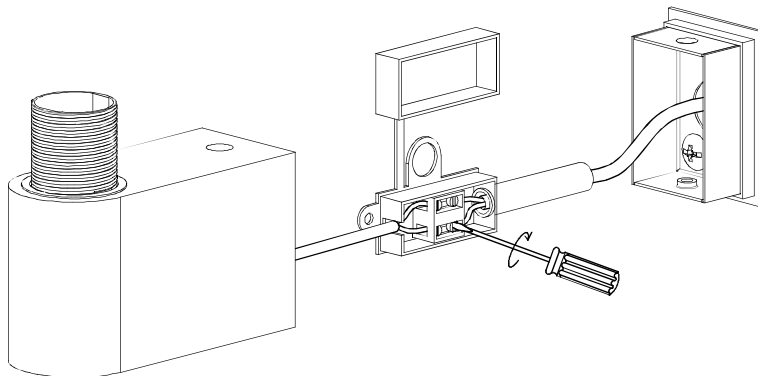
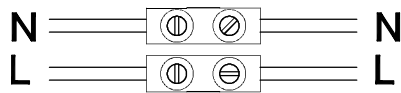
1



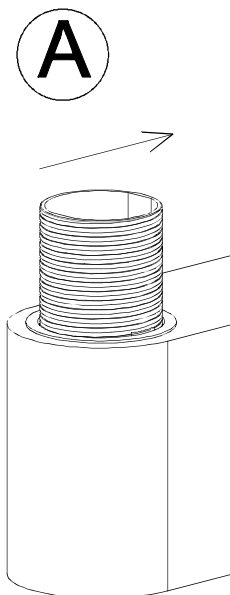
2



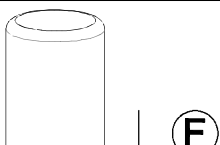
3



4



5



6