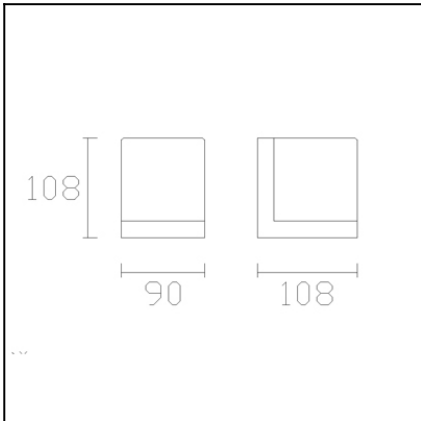




The photograph may not match the reference exactly. Please read the product description to identify the finish.



TECHNICAL CHARACTERISTICS

Type:	Wall fixture
IP Protection degrees:	IP44
Lampholder:	1 x G9
Power (W):	G9 40
Total power consumption (W):	40
Voltage / Frequency:	220-240V/50-60Hz
Warranty (Years):	2
Units per box:	8
Net Weight (Kg):	0.955
EAN:	8435111097472,00



MATERIALS / FINISHES

Structure material: Zamak
Steel

Diffuser material: Tempered glass

Structure finish: Chrome

Diffuser finish: Opal white

Download photometric file .ldt /.ies

Report No.: 05-1389

Test Time: 2012-12-7 09:55

Luminaire Property

Luminaire Manufacturer: LEDS-C4
 Luminaire Category: 05-1389
 Lamp Catalog: HALOGEN
 Number of Lamps: 1
 Luminous Length (mm): 90
 Luminous Height (mm): 110
 Current: 0.165 A
 Power Factor: 0.999

Luminaire Description: ORION
 Lamp Description: G9 40W
 Lumens per Lamp: 450
 Luminous Width (mm): 110
 Voltage: 220.7 V
 Power: 36.40 W

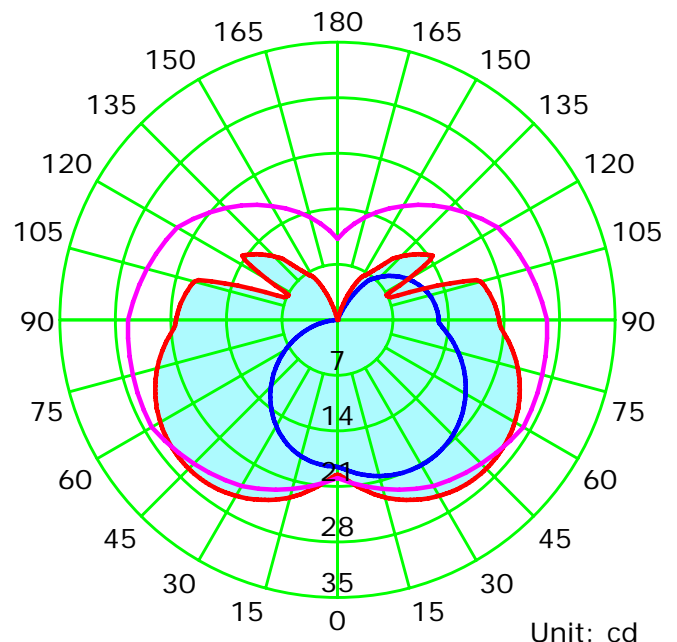
Photometric Results

CIE Class: Semi-Direct	Total Rated Lamp Lumens: 450.0 lm
Measurement Flux: 181.1 lm	Efficiency: 40.24%
Downward Ratio: 28.13%	Upward Ratio: 12.12%
Horizontal Diffuse Angle(10%,20%,50%,75%): H231.5,H220.3,H172.4,H111.6	
Vertical Diffuse Angle(10%,20%,50%,75%): V318.4,V306.4,V257.3,V191.8	
Luminaire Efficacy Rating (LER): 5	Central Intensity: 18.58 cd
Max. Intensity: 27.05 cd	Pos of Max. Intensity: H60 V51

Picture Of Luminaire



Luminous Intensity Distribution Curve



Average Diffuse Angle(50%): 214.8°

— C0-C180 — C90-C270 — G51

C Plane (°):0.0-180.0: 30.0

Test Lab:

Test Type: TYPE C

Temperature:

Operator:

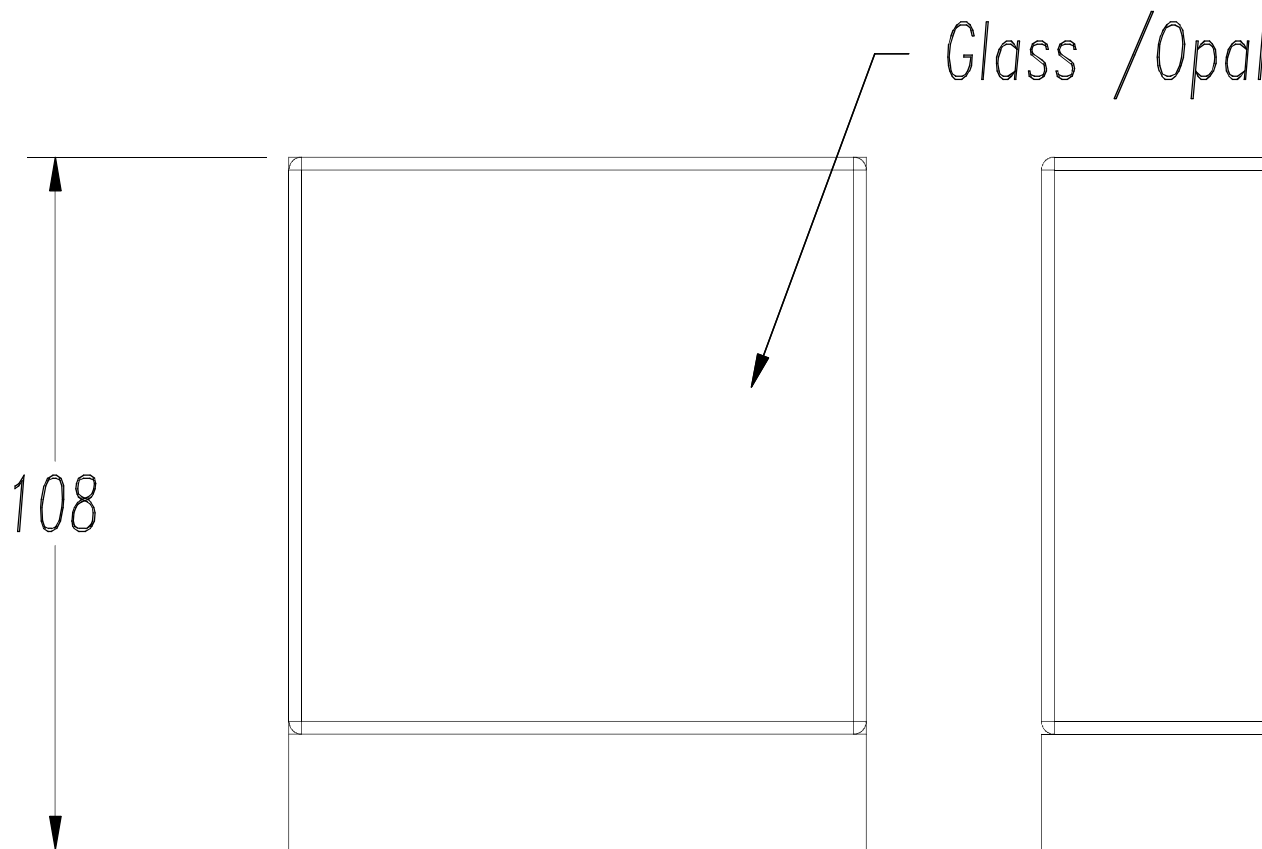
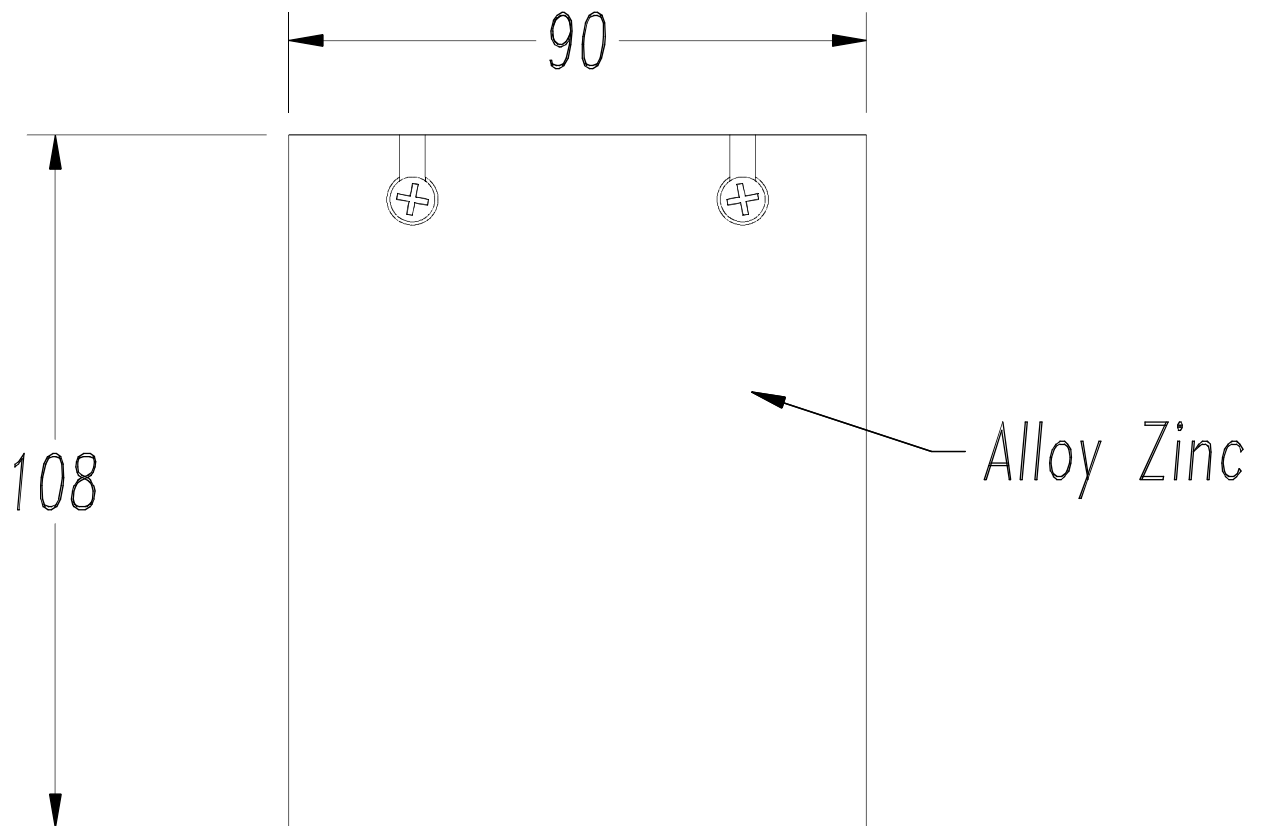
Gamma Plane (°):0.0-180.0:1.0

Test Device: GPM-1800B

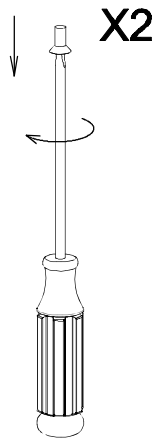
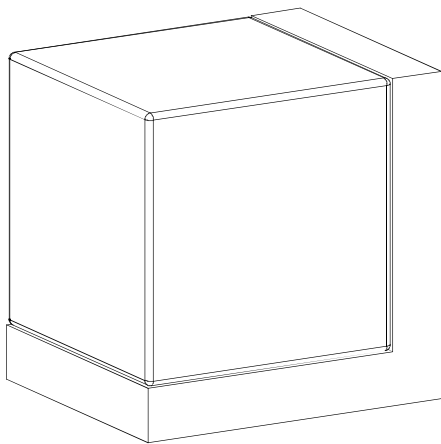
Distance: 5.107 m

Humidity:

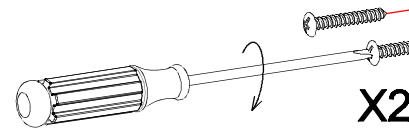
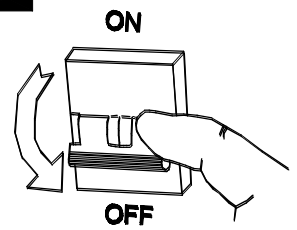
Inspector:



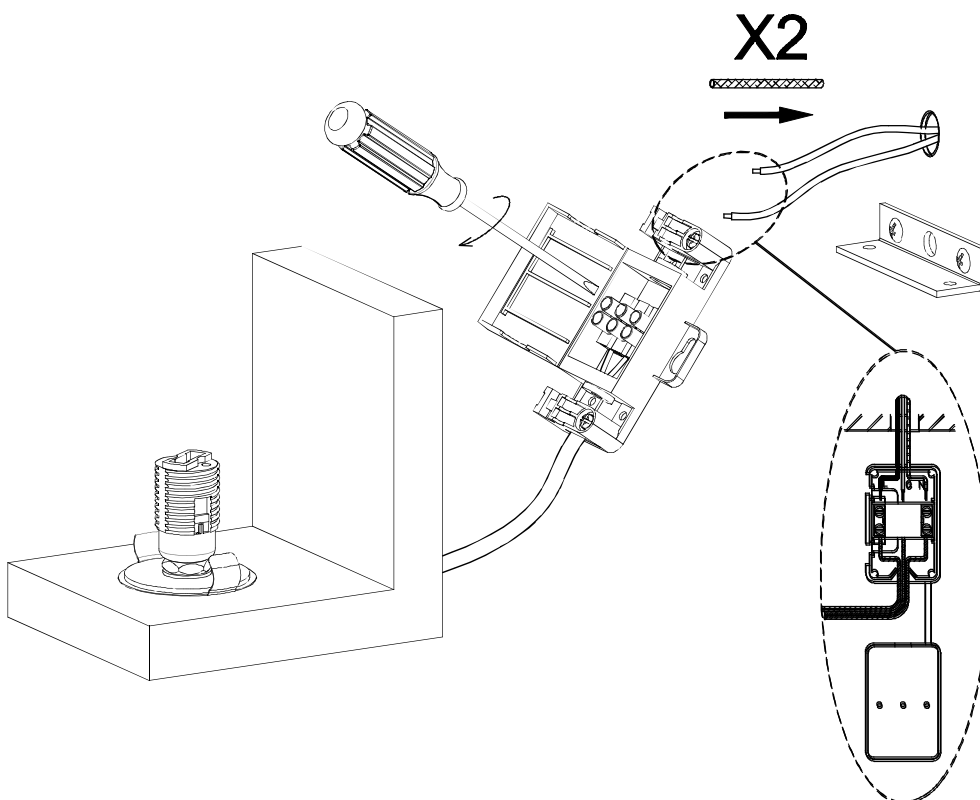
1



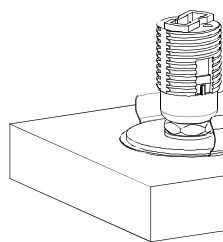
2



3



4



B

5

6