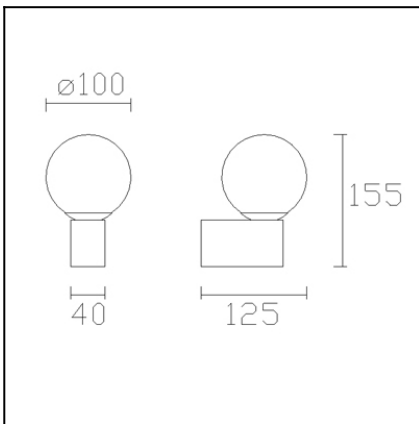




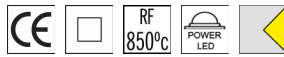
The photograph may not match the reference exactly. Please read the product description to identify the finish.



Download photometric file .ldt /.ies

TECHNICAL CHARACTERISTICS

Type:	Wall fixture
IP Protection degrees:	IP44
Bulb:	2 x LED Cree. Warm White - 3000K
Power (W):	4
Luminous efficacy (Lm/W):	82
CRI:	80
Voltage / Frequency:	100-240V/50-60Hz
Warranty (Years):	2
Option to extend the guarantee:	Yes, 5 years
Units per box:	8
Net Weight (Kg):	0.555
EAN:	8435111097519,00



MATERIALS / FINISHES

Structure material: Zamak
Steel

Diffuser material: Tempered glass

Structure finish: Chrome

Diffuser finish: Opal white

GEAR

Multi-voltage electronic gear included (110-240 V / 50-60 Hz)

Report No.: 05-1410

Test Time: 2012-12-7 09:16

Luminaire Property

Luminaire Manufacturer: LEDS-C4
 Luminaire Category: 05-1410
 Lamp Catalog: LED
 Number of Lamps: 1
 Luminous Length (mm): 100
 Luminous Height (mm): 155
 Current: 0.094 A
 Power Factor: 0.460

Luminaire Description: ORION
 Lamp Description: 1X4W
 Lumens per Lamp: 450
 Luminous Width (mm): 125
 Voltage: 220.7 V
 Power: 9.60 W

Photometric Results

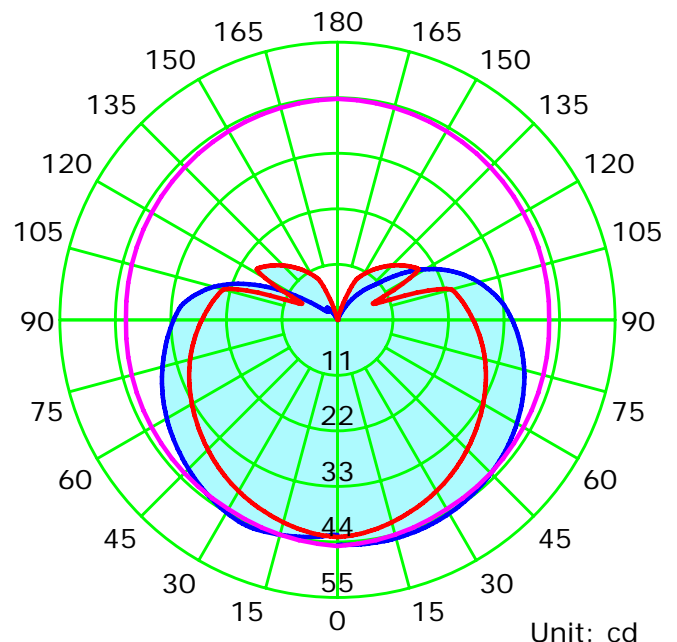
CIE Class: Semi-Direct
 Measurement Flux: 327.9 lm
 Downward Ratio: 50.62%
 Horizontal Diffuse Angle(10%,20%,50%,75%): H271.3,H256.6,H225.3,H179.5
 Vertical Diffuse Angle(10%,20%,50%,75%): V320.2,V310.8,V213.1,V130.3
 Luminaire Efficacy Rating (LER): 34
 Max. Intensity: 44.8 cd

Total Rated Lamp Lumens: 450.0 lm
 Efficiency: 72.86%
 Upward Ratio: 22.24%
 Central Intensity: 44.58 cd
 Pos of Max. Intensity: H0 V12

Picture Of Luminaire



Luminous Intensity Distribution Curve



Average Diffuse Angle(50%): 219.2°

— C0-C180 — C90-C270 — G12

C Plane (°):0.0-180.0: 30.0

Test Lab:

Test Type: TYPE C

Temperature:

Operator:

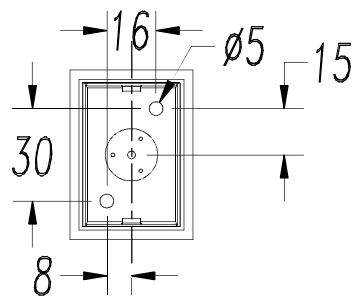
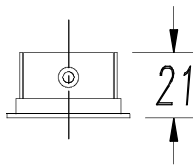
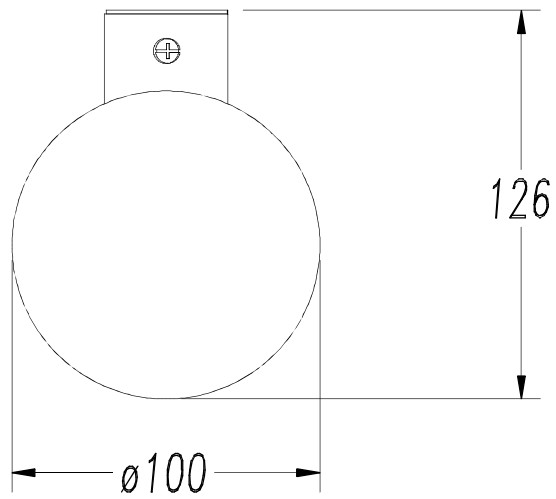
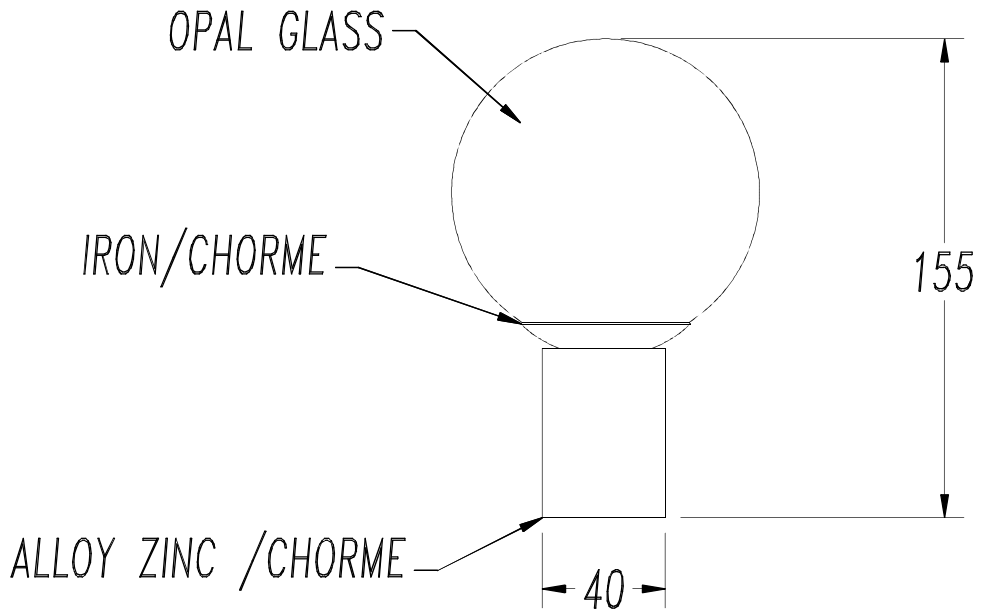
Gamma Plane (°):0.0-180.0:1.0

Test Device: GPM-1800B

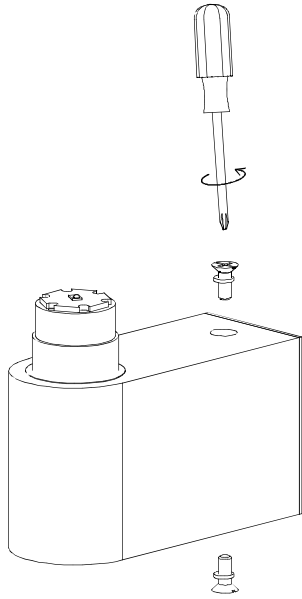
Distance: 5.107 m

Humidity:

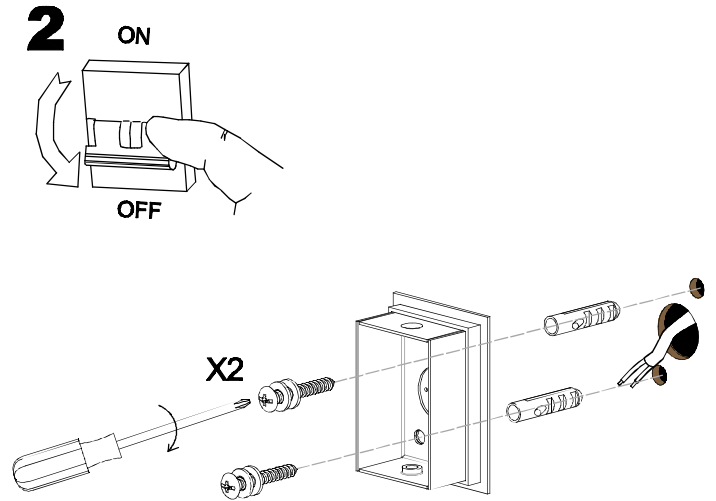
Inspector:



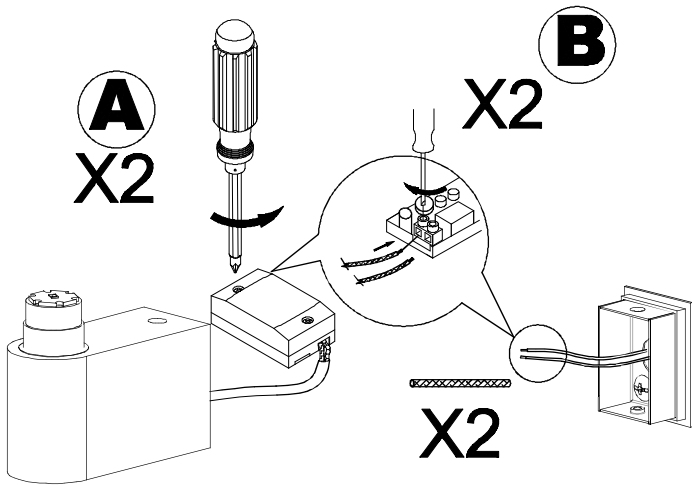
1



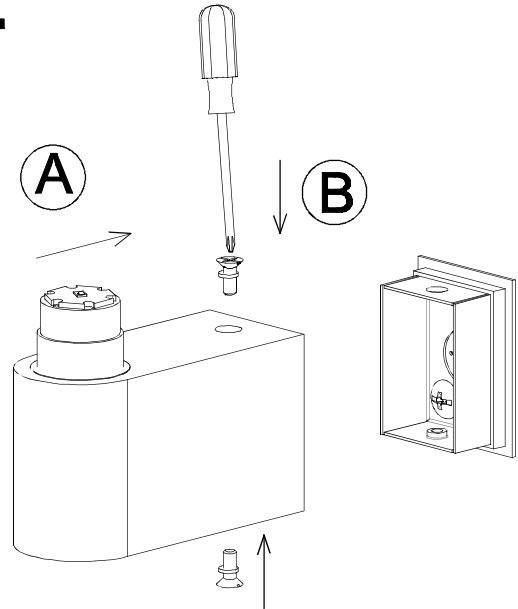
2



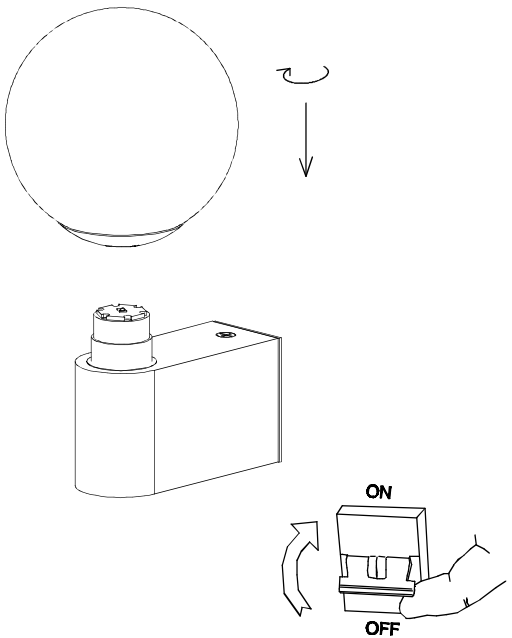
3



4



5



6

