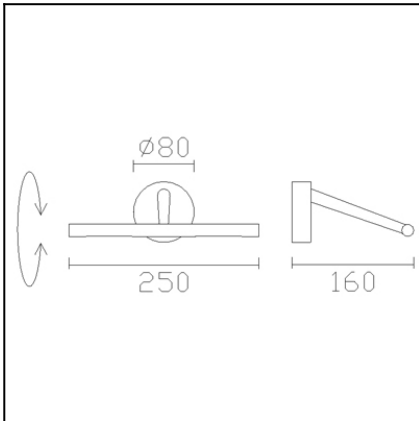




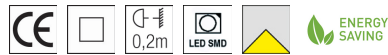
The photograph may not match the reference exactly. Please read the product description to identify the finish.



Download photometric file .ldt /.ies

TECHNICAL CHARACTERISTICS

Type:	Wall fixture
Adjustable 355° on the horizontal axis.	
IP Protection degrees:	IP20
Bulb:	12 x LED. Warm White - 3000K
Power (W):	2.4
Total power consumption (W):	3.7
Luminous efficacy (Lm/W):	110
Voltage / Frequency:	110-240V/50-60Hz
Warranty (Years):	2
Option to extend the guarantee:	Yes, 5 years
Units per box:	12
Net Weight (Kg):	0.31
EAN:	8435111098912,00



MATERIALS / FINISHES

Structure material:	Steel Extruded aluminium	Diffuser material:	Polycarbonate
Structure finish:	Satin nickel	Diffuser finish:	Bended and transparent

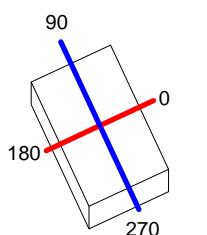
GEAR

Multi-voltage electronic gear included (110-240 V / 50-60 Hz)

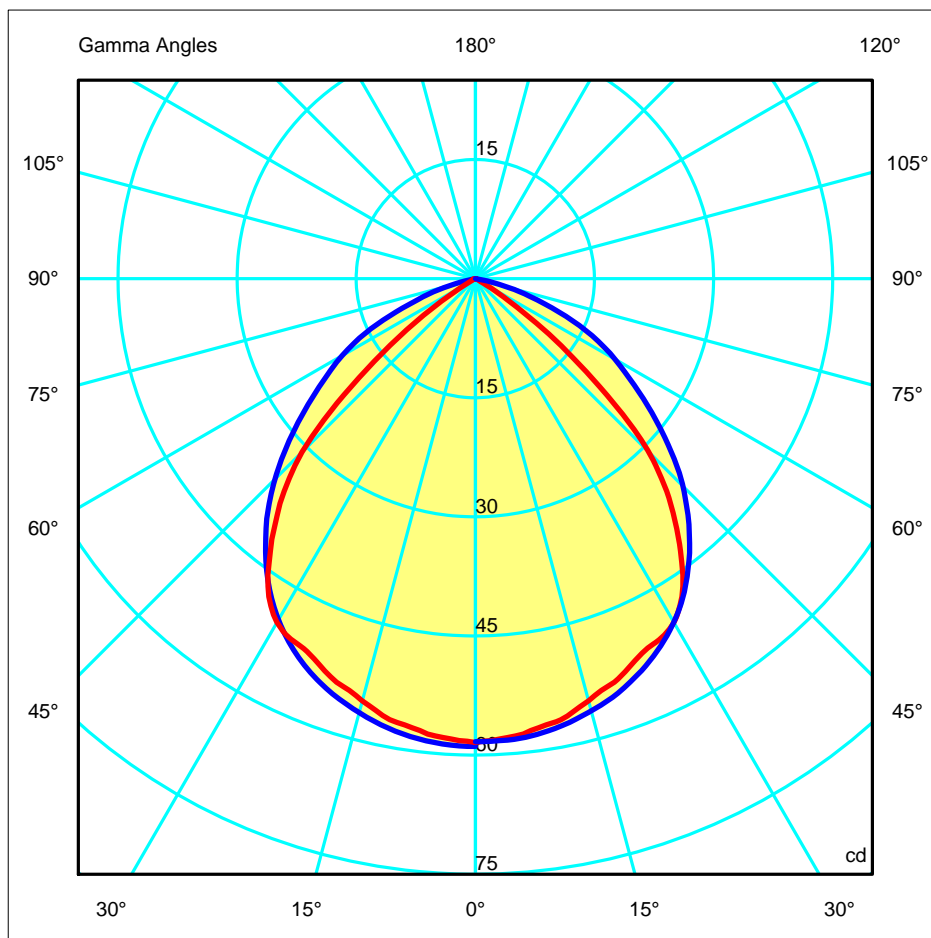
Luminaire		Measur.		Lamp		
Code	05-1577	Code	05-1577	Code	LEDS	
Name	SIENA LED	Name	SIENA LED	Number	12	
Line	IESNA-1995	Date	07-12-2012	Position		
Efficiency	69.53%	Coordinate system	CG	Total Flux	180.00 lm	
Maximum value	58.90 cd	Position	C=270.00 G=1.00	Sym. on planes	270-90	
Rectangular Luminaire	Length	250 mm	Width	160 mm	Height	80 mm
Rectangular Luminous Area	Length	250 mm	Width	160 mm	Height	80 mm
Horizontal Luminous Area	0.040000 m2	Emitting area on Plane 180°		0.020000 m2		
Emitting area on Plane 0°	0.020000 m2	Emitting area on Plane 270°		0.012800 m2		
Emitting area on Plane 90°	0.012800 m2	Glare area at 76°		0.029083 m2		
Symmetry Type	Sym. on planes 270-90	Maximum Gamma Angle		180		
Measurement Distance	0.00	Measurement Flux		180.00 lm		
Operator		Source voltage				
Temperature	25.00 °C	Source current				
Humidity	60.00 %	Photocell				
Notes						

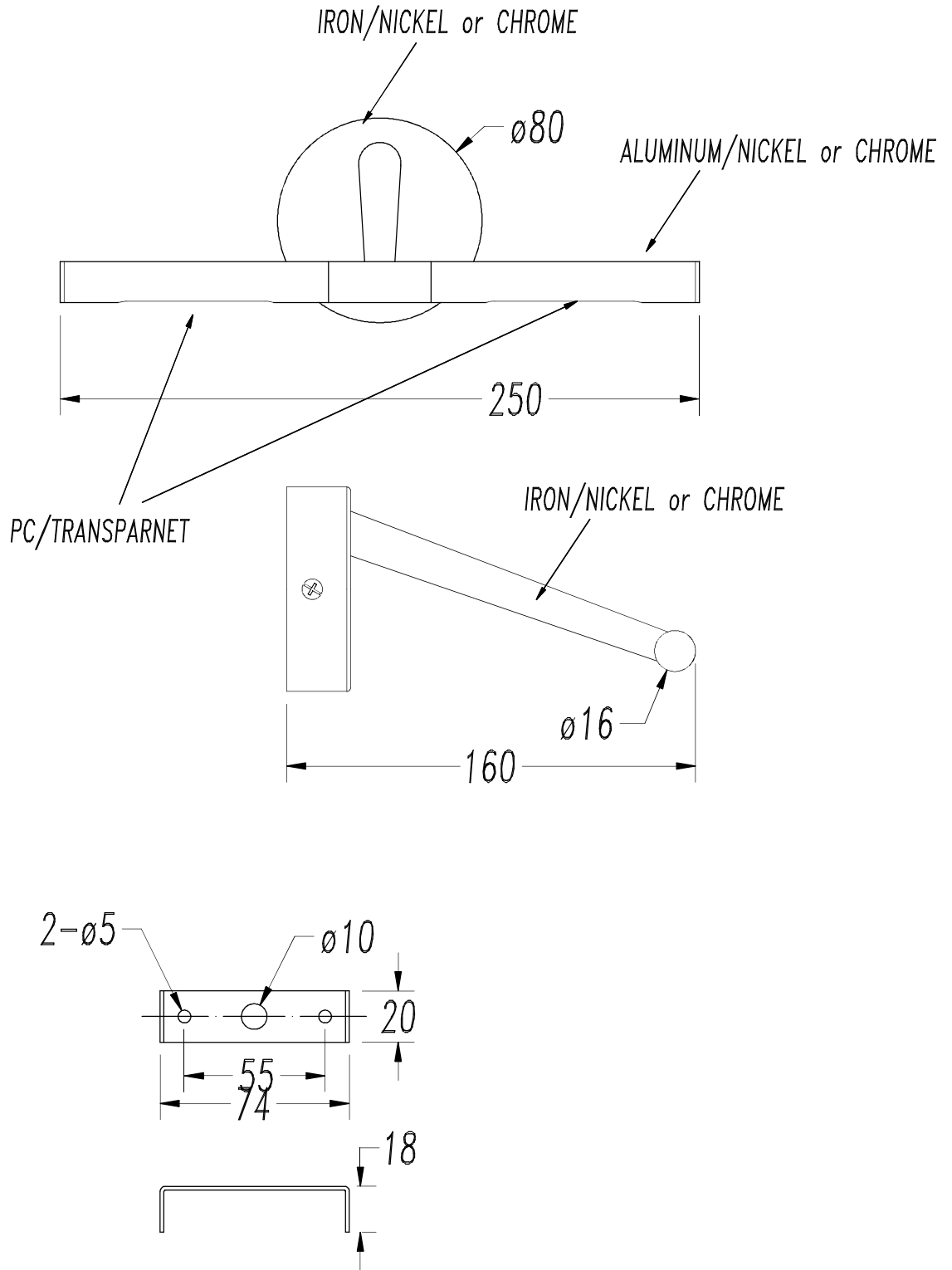
Luminaire Lamps						
Line	Code	Name	Flux [lm]	Pow. [W]	Q.ty	
IESNA-1995	LEDS	12LEDX0.2W - 0.20 W	15.00	0.20	12	
C.I.E.	62 94 100 100 70	D DIN 5040	A50			
F UTE	0.70 C	B NBN	BZ 3 / 1.25 / BZ 2			

250mm x 160mm

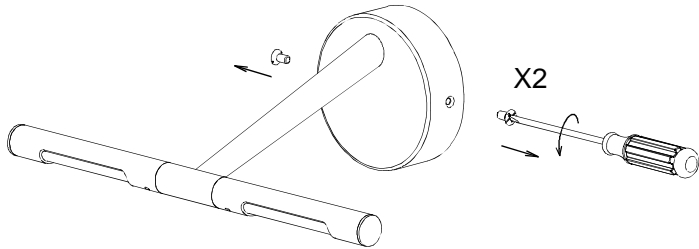


ULOR 0.00 %
 DLOR 69.53 %
 RN 0.00 %

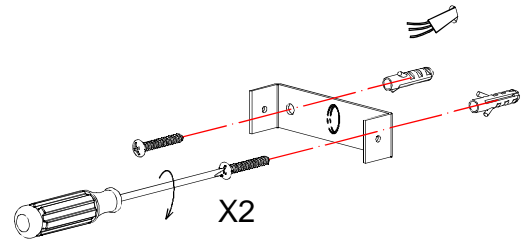
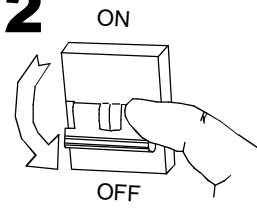




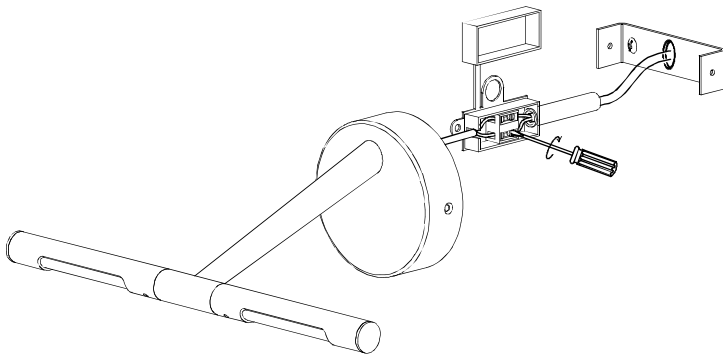
1



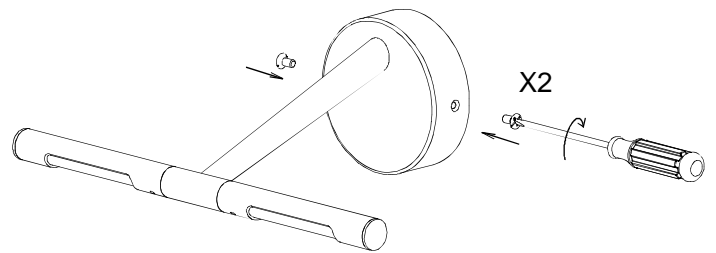
2



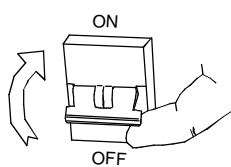
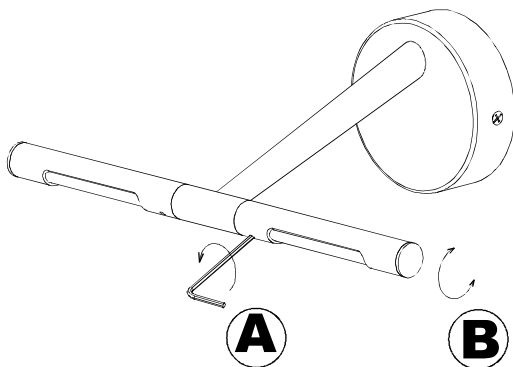
3



4



5



6

