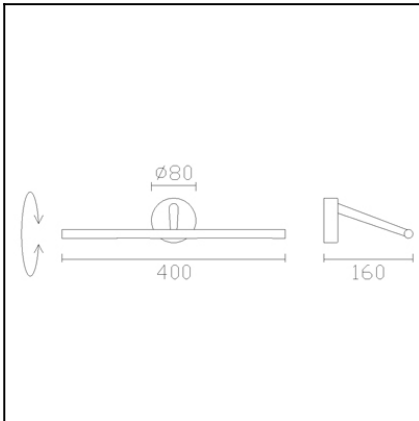


The photograph may not match the reference exactly. Please read the product description to identify the finish.



Download photometric file .ldt / .ies

TECHNICAL CHARACTERISTICS

Type:	Wall fixture
Adjustable 355° on the horizontal axis.	
IP Protection degrees:	IP20
Bulb:	18 x LED. Warm White - 3000K
Power (W):	3.6
Luminous efficacy (Lm/W):	110
Voltage / Frequency:	110-240V/50-60Hz
Warranty (Years):	2
Option to extend the guarantee:	Yes, 5 years
Units per box:	6
Net Weight (Kg):	0.32
EAN:	8435111098943,00



MATERIALS / FINISHES

Structure material:	Steel Extruded aluminium	Diffuser material:	Polycarbonate
Structure finish:	Satin nickel	Diffuser finish:	Bended and transparent

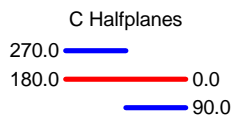
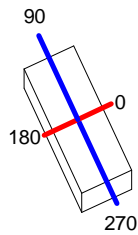
GEAR

Multi-voltage electronic gear included (110-240 V / 50-60 Hz)

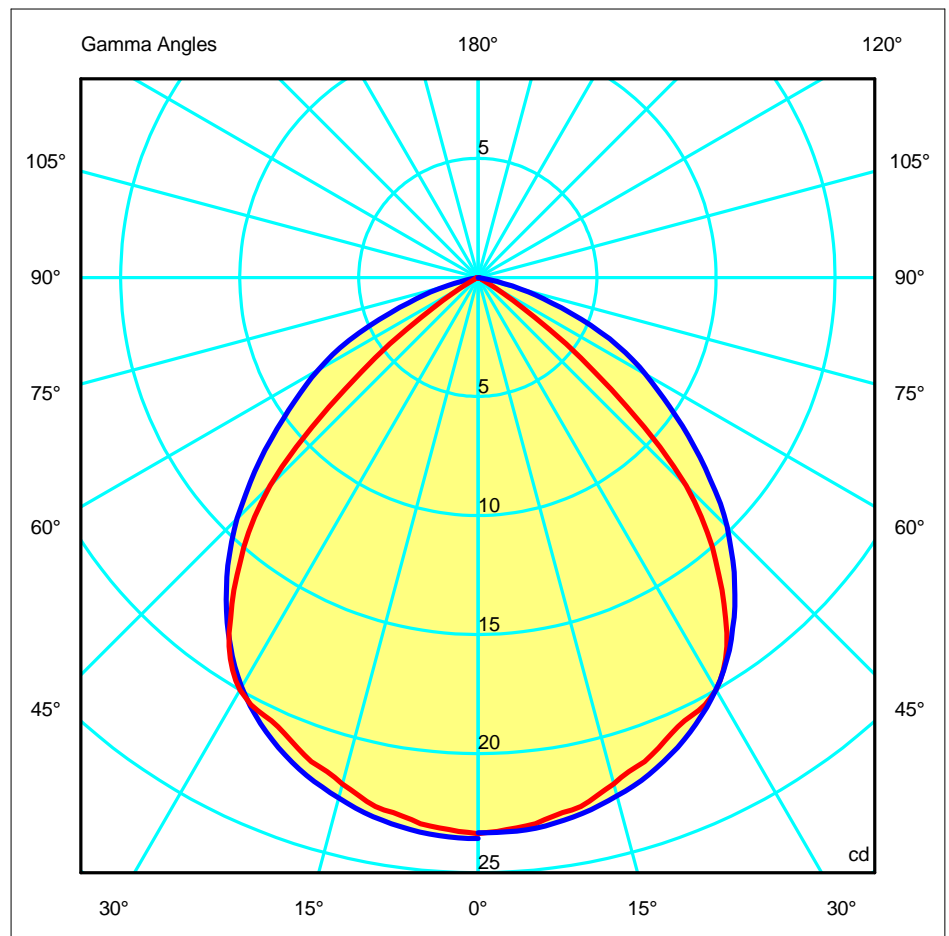
Luminaire		Measur.		Lamp		
Code	05-1611	Code	05-1611	Code	LEDS	
Name	SIENA LED	Name	SIENA LED	Number	6	
Line	IESNA-1995	Date	07-12-2012	Position		
Efficiency	46.35%	Coordinate system	CG	Total Flux	108.00 lm	
Maximum value	23.56 cd	Position	C=270.00 G=1.00	Sym. on planes	270-90	
Rectangular Luminaire	Length	400 mm	Width	160 mm	Height	80 mm
Rectangular Luminous Area	Length	400 mm	Width	160 mm	Height	80 mm
Horizontal Luminous Area	0.064000 m2	Emitting area on Plane 180°		0.032000 m2		
Emitting area on Plane 0°	0.032000 m2	Emitting area on Plane 270°		0.012800 m2		
Emitting area on Plane 90°	0.012800 m2	Glare area at 76°		0.046532 m2		
Symmetry Type	Sym. on planes 270-90	Maximum Gamma Angle		180		
Measurement Distance	0.00	Measurement Flux		270.00 lm		
Operator		Source voltage				
Temperature	25.00 °C	Source current				
Humidity	60.00 %	Photocell				
Notes						

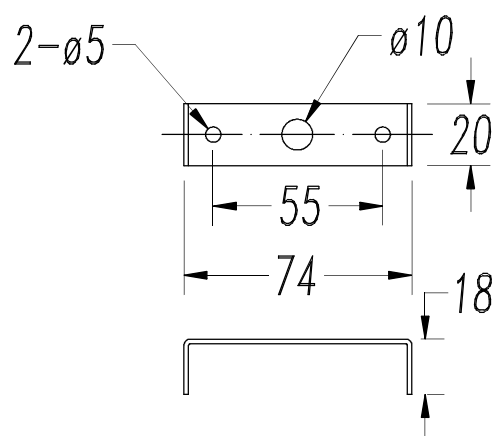
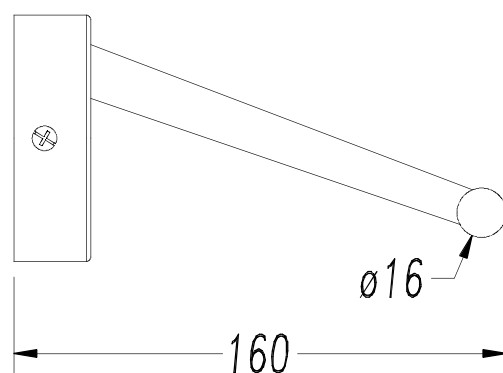
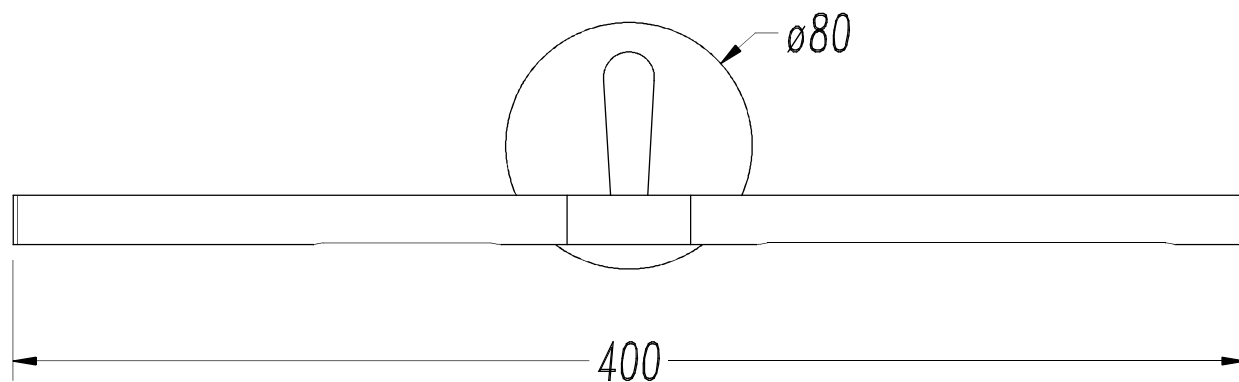
Luminaire Lamps						
Line	Code	Name	Flux [lm]	Pow. [W]	Q.ty	
IESNA-1995	LEDS	18LEDX0.2W - 3,6 W	18.00	3.00	6	
C.I.E.	62 94 100 100 46	D DIN 5040	A50			
F UTE	0.46 C	B NBN	BZ 3 / 1.25 / BZ 2			

400mm x 160mm

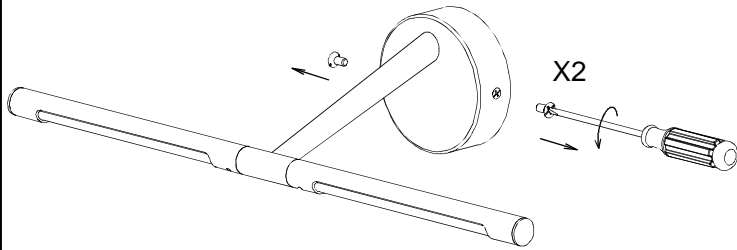


ULOR 0.00 %
DLOR 46.35 %
RN 0.00 %

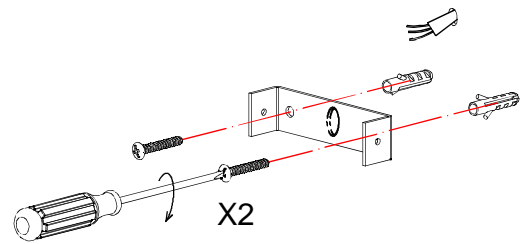
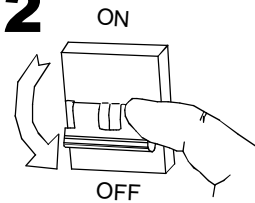




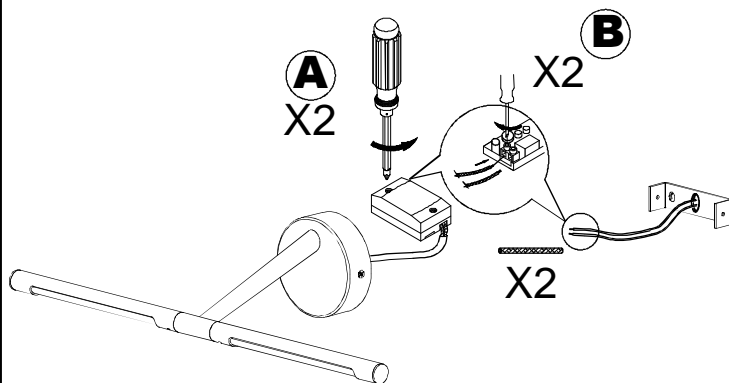
1



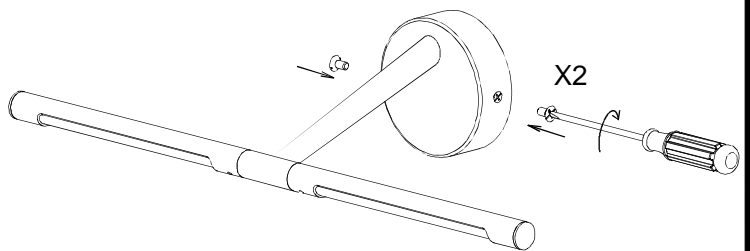
2



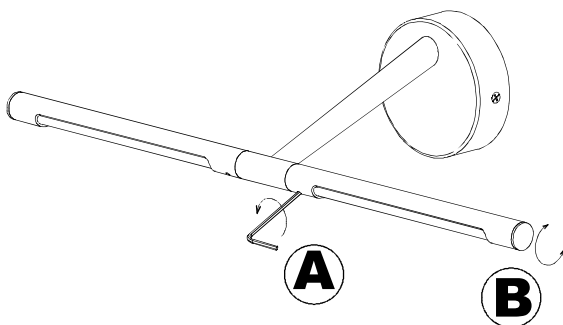
3



4



5



6

