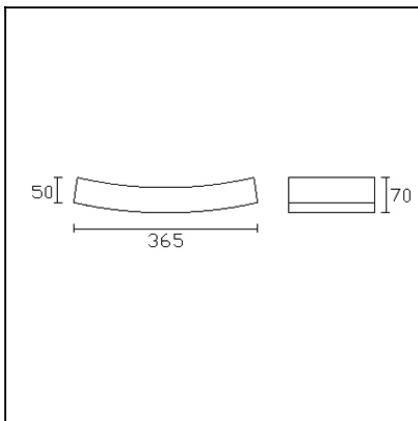


The photograph may not match the reference exactly. Please read the product description to identify the finish.



Download photometric file .ldt /.ies

DESCRIPTION

Downlights suitable for recessed installation on ceilings. Body produced in gypsum with steel fixation clips. Suitable for halogen lamps and LED lights. Different models according to shape, rotation options and number of bulbs. Complete architecture integration with the use of thermoplastic paint. Option of including the GU10 lampholder as an accessory.

TECHNICAL CHARACTERISTICS

Type:	Wall fixture
IP Protection degrees:	IP20
Lampholder:	1 x R7s
Power (W):	R7s 100
Total power consumption (W):	100
Voltage / Frequency:	220-240V/50-60Hz
Warranty (Years):	2
Units per box:	6
Net Weight (Kg):	2.21
EAN:	8435381404864,00



MATERIALS / FINISHES

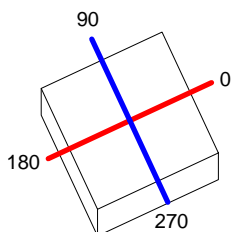
Structure material: Plaster

Structure finish: White

Luminaire		Measur.		Lamp		
Code	05-1795	Code	05-1795	Code	Halogen	
Name	WALL LIGHT	Name	WALL LIGHT	Number	1	
Line	GES	Date	16-11-2013	Position		
Efficiency	25.96%	Coordinate system	CG	Total Flux	1200.00 lm	
Maximum value	149.70 cd	Position	C=0.00 G=62.00	Asymmetrical		
Rectangular Luminaire	Length	1 mm	Width	1 mm	Height	1 mm
Rectangular Luminous Area	Length	1 mm	Width	1 mm	Height	0 mm
Horizontal Luminous Area	0.000001 m2	Emitting area on Plane 180°		0.000000 m2		
Emitting area on Plane 0°	0.000000 m2	Emitting area on Plane 270°		0.000000 m2		
Emitting area on Plane 90°	0.000000 m2	Glare area at 76°		0.000000 m2		
Symmetry Type	Asymmetrical	Maximum Gamma Angle		180		
Measurement Distance	0.00	Measurement Flux		1200.00 lm		
Operator		Source voltage				
Temperature	25.00 °C	Source current				
Humidity	60.00 %	Photocell				
Notes						

Luminaire Lamps					
Line	Code	Name	Flux [lm]	Pow. [W]	Q.ty
IESNA-1995	Halogen	R7S-100W - 86.00 W	1200.00	86.00	1
C.I.E.	18 44 75 70 26	D DIN 5040		B11	
F UTE	0.18 J + 0.08 T	B NBN		BZ 9	

1mm x 1mm



C Halfplanes

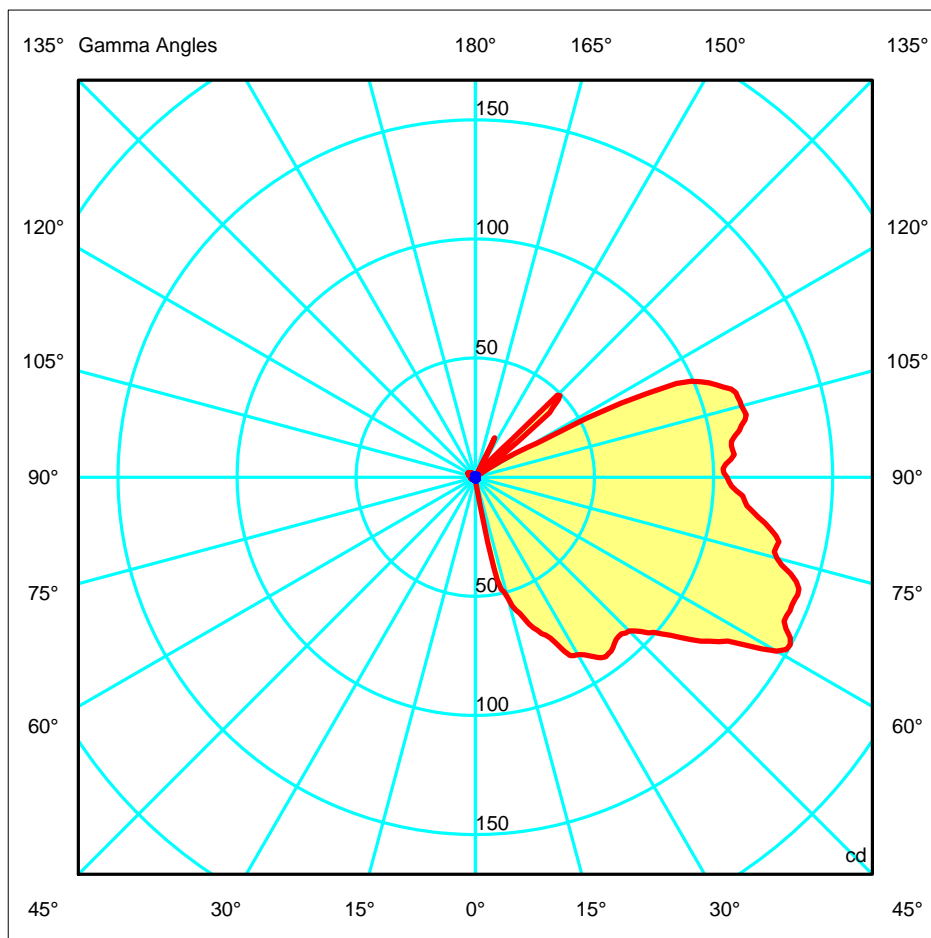
180.0 — 0.0

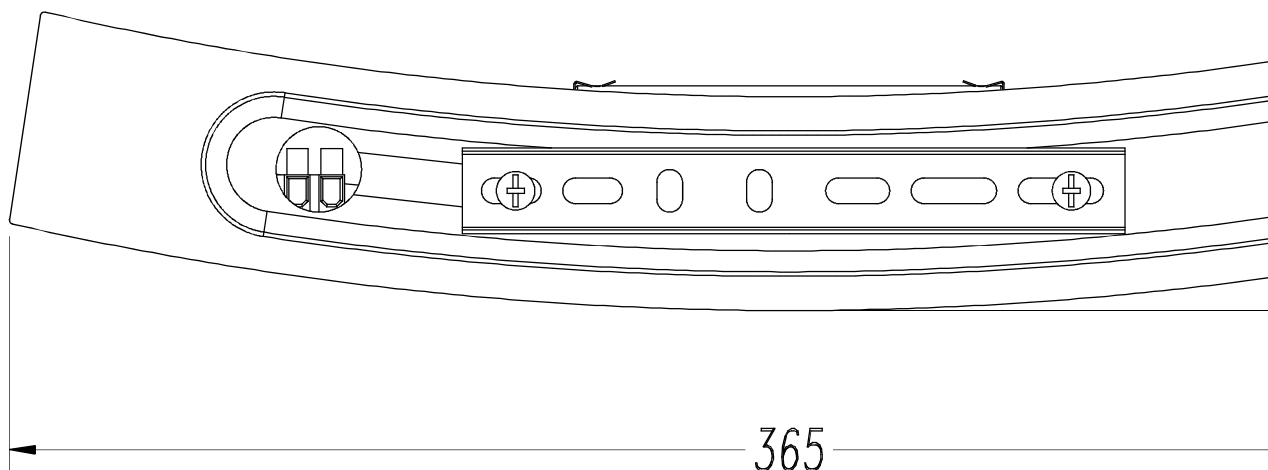
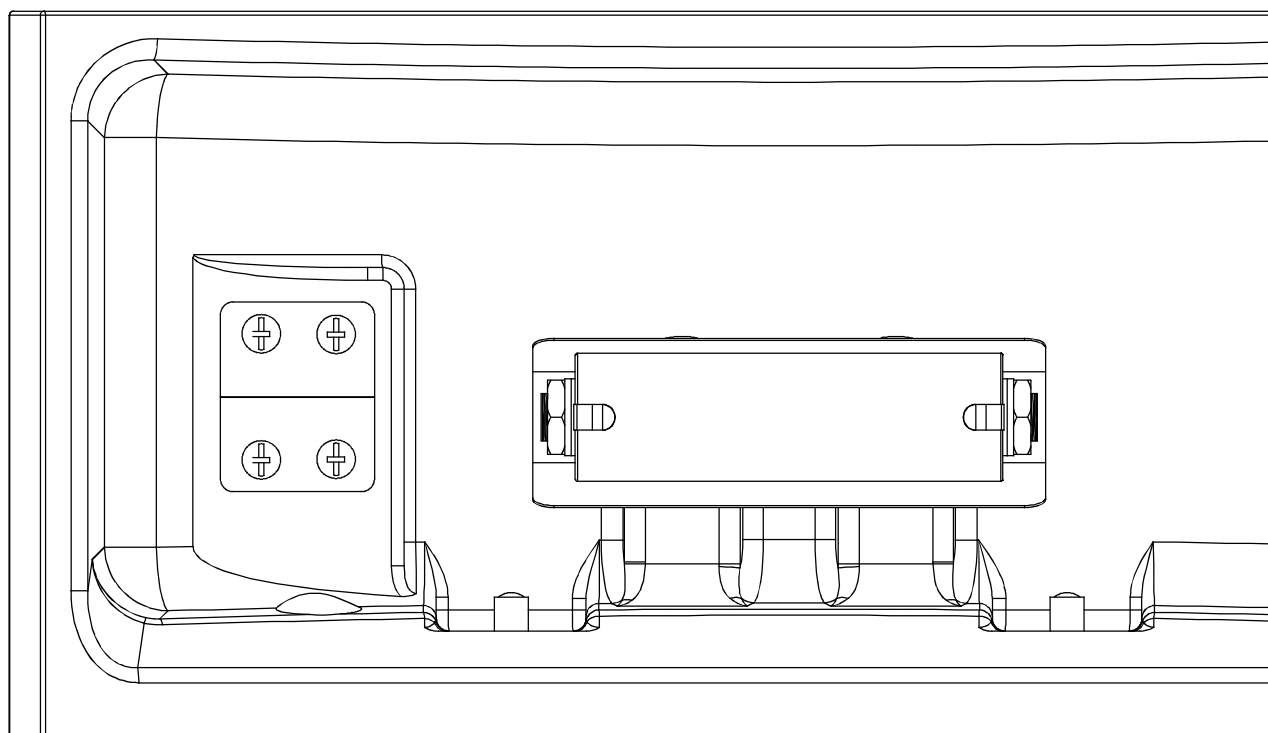
270.0 — 90.0

ULOR 7.80 %

DLOR 18.16 %

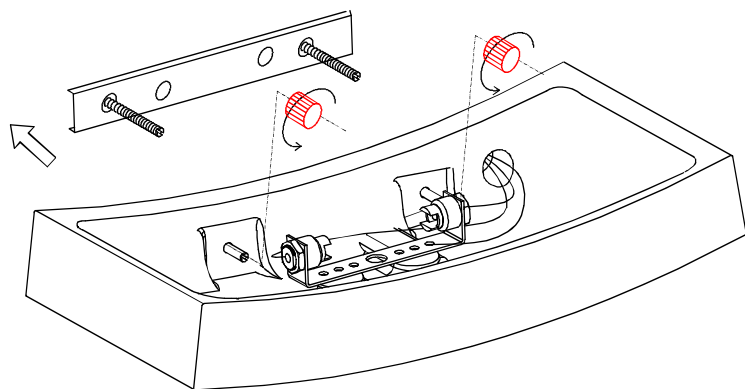
RN 30.05 %



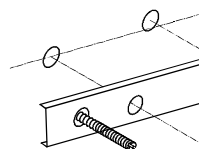
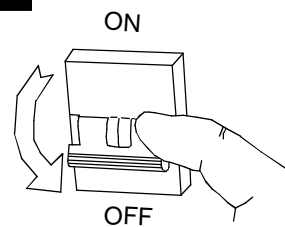


365

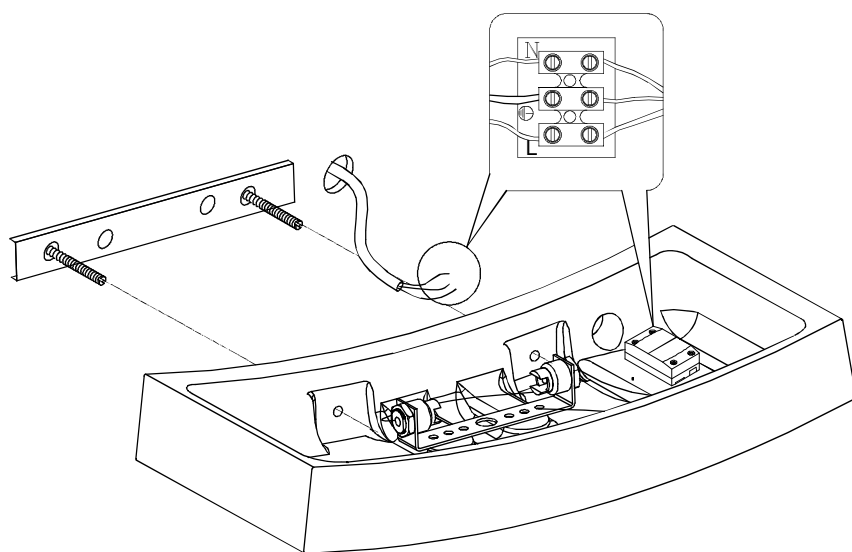
1



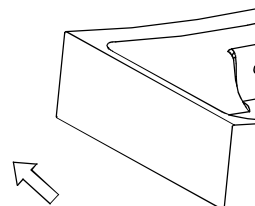
2



3



4



5

6