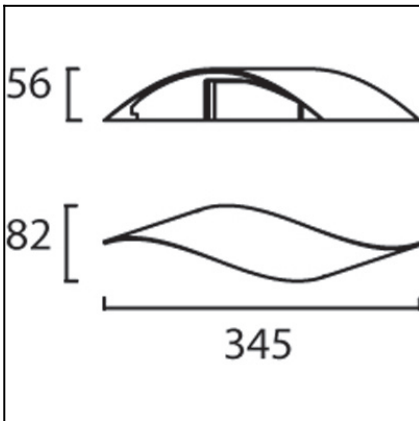


Design by Ramon Valls

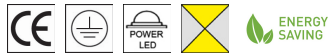

The photograph may not match the reference exactly. Please read the product description to identify the finish.



Download photometric file .ldt / .ies

TECHNICAL CHARACTERISTICS

Type:	Wall fixture
IP Protection degrees:	IP20
Bulb:	6 x LED Cree. Warm White - 3000K
Power (W):	6
Luminous efficacy (Lm/W):	100
Voltage / Frequency:	110-240V/50-60Hz
Warranty (Years):	2
Option to extend the guarantee:	Yes, 5 years
Units per box:	6
Net Weight (Kg):	0.365
EAN:	8435381407018,00


MATERIALS / FINISHES

Structure material: Aluminium
Structure finish: White

Diffuser material: Methacrylate
Diffuser finish: Tinted

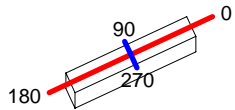
GEAR

Multi-voltage electronic gear included (110-240 V / 50-60 Hz)

Luminaire		Measur.		Lamp		
Code	05-1819-BW-BW	Code	05-1819-BW-BW	Code	05-1819-BW-BW	
Name	Aplique 6 leds x1W CREE blanco	Name	Aplique 6 leds x1W CREE blanco	Number	1	
Line	- LEDS C4 LEDS	Date	05-07-2013	Position	Universal	
Efficiency	100.00%	Coordinate system	CG	Total Flux	435.01 lm	
Maximum value	113.12 cd	Position	C=90.00 G=5.00	Asymmetrical		
Rectangular Luminaire	Length	56 mm	Width	345 mm	Height	82 mm
Rectangular Luminous Area	Length	20 mm	Width	95 mm	Height	82 mm
Horizontal Luminous Area	0.001900 m2	Emitting area on Plane 180°		0.001640 m2		
Emitting area on Plane 0°	0.001640 m2	Emitting area on Plane 270°		0.007790 m2		
Emitting area on Plane 90°	0.007790 m2	Glare area at 76°		0.002051 m2		
Symmetry Type	Asymmetrical	Maximum Gamma Angle		180		
Measurement Distance	6.44	Measurement Flux		435.01 lm		
Operator	Asselum T2	Source voltage		230.00 V		
Temperature	25.00 °C	Source current		PRC		
Humidity	59.00 %	Photocell				
Notes						

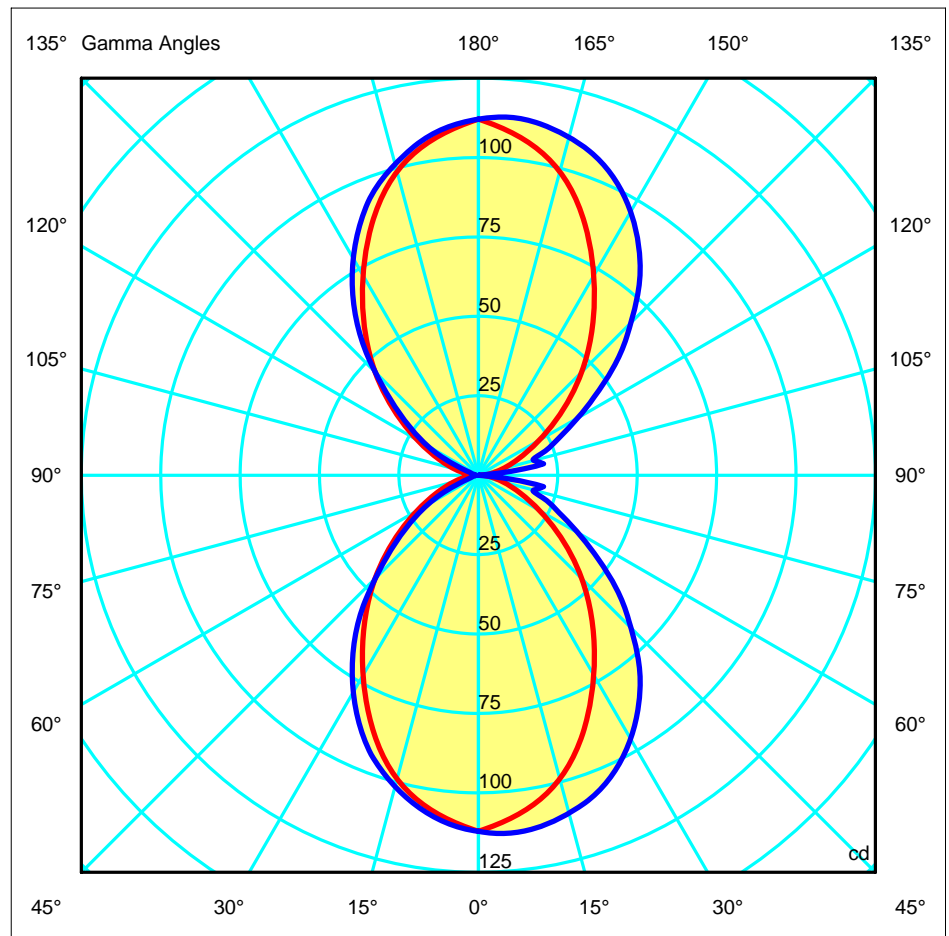
Luminaire Lamps						
Line	Code	Name	Flux [lm]	Pow. [W]	Q.ty	
- LEDS C4 LEDS	05-1819-BW-BW	Lámpara leds 6W	435.01	6.00	1	
C.I.E.	59 86 96 50 100	D DIN 5040	C41			
F UTE	0.50 D + 0.50 T	B NBN	BZ 3 / 4 / BZ 4			

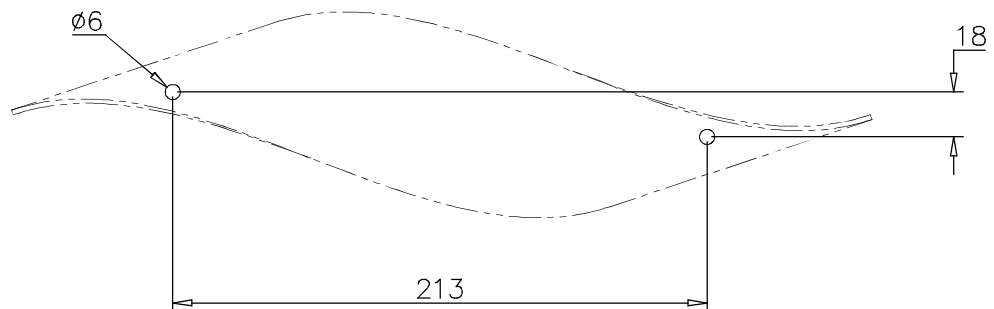
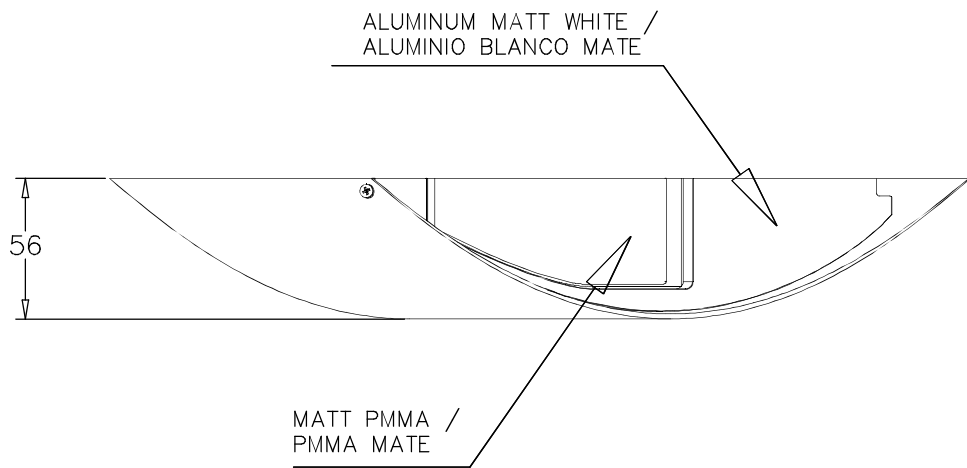
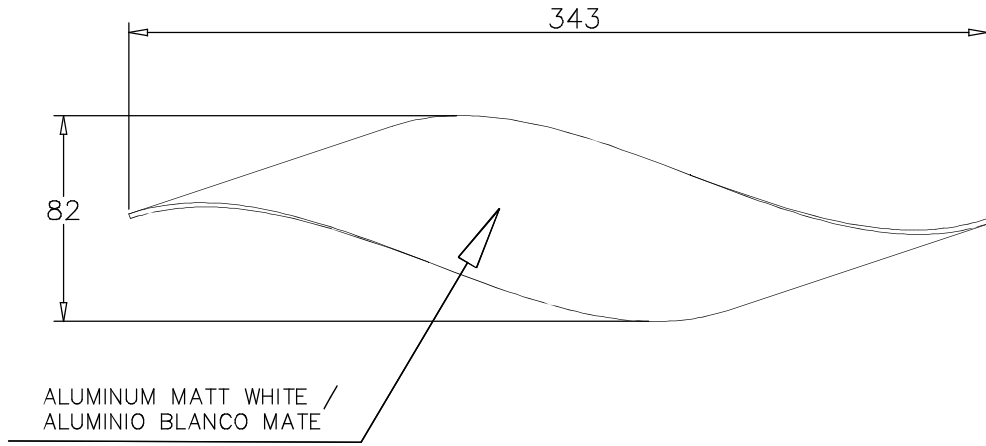
56mm x 345mm

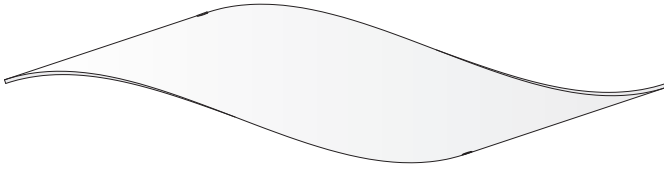


C Halfplanes
 180.0 — 0.0
 270.0 — 90.0

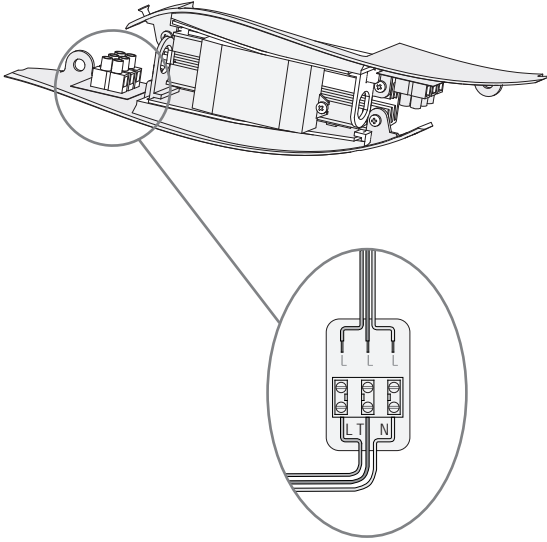
ULOR 50.00 %
 DLOR 50.00 %
 RN 50.00 %



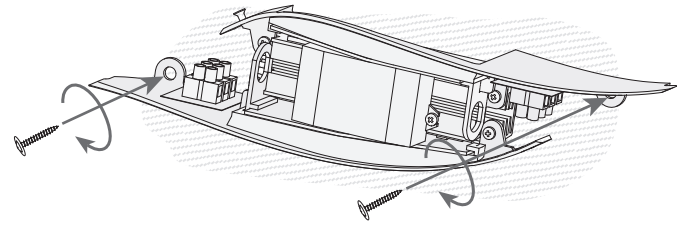




1

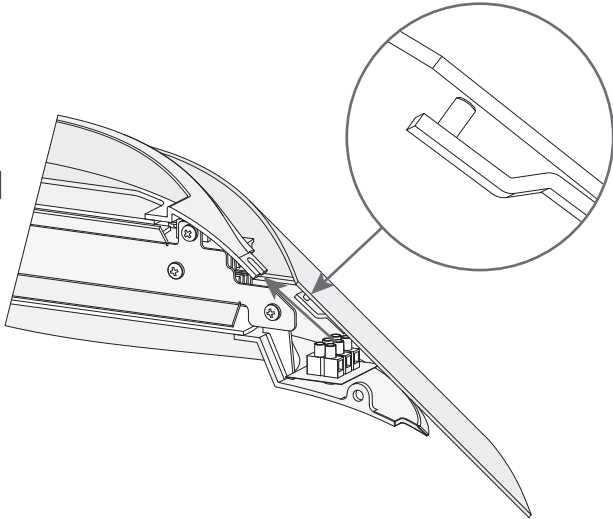


2

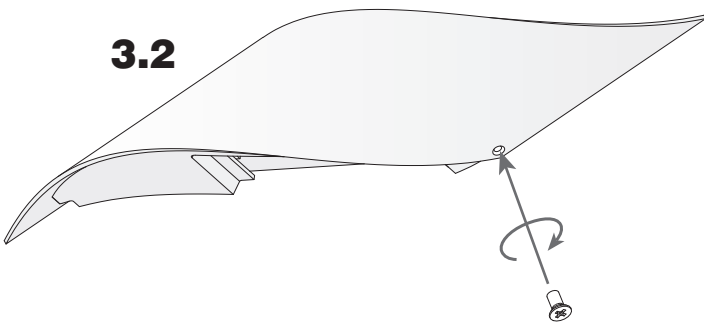


3

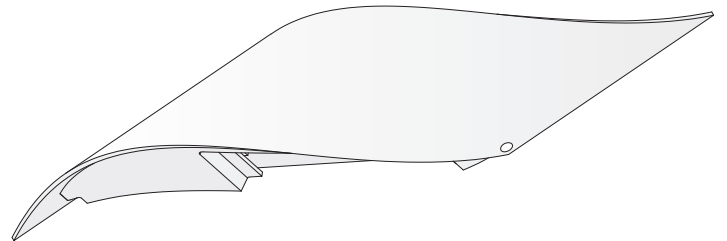
3.1

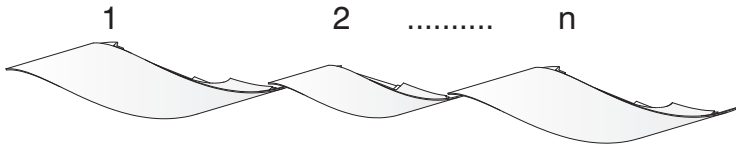


3.2

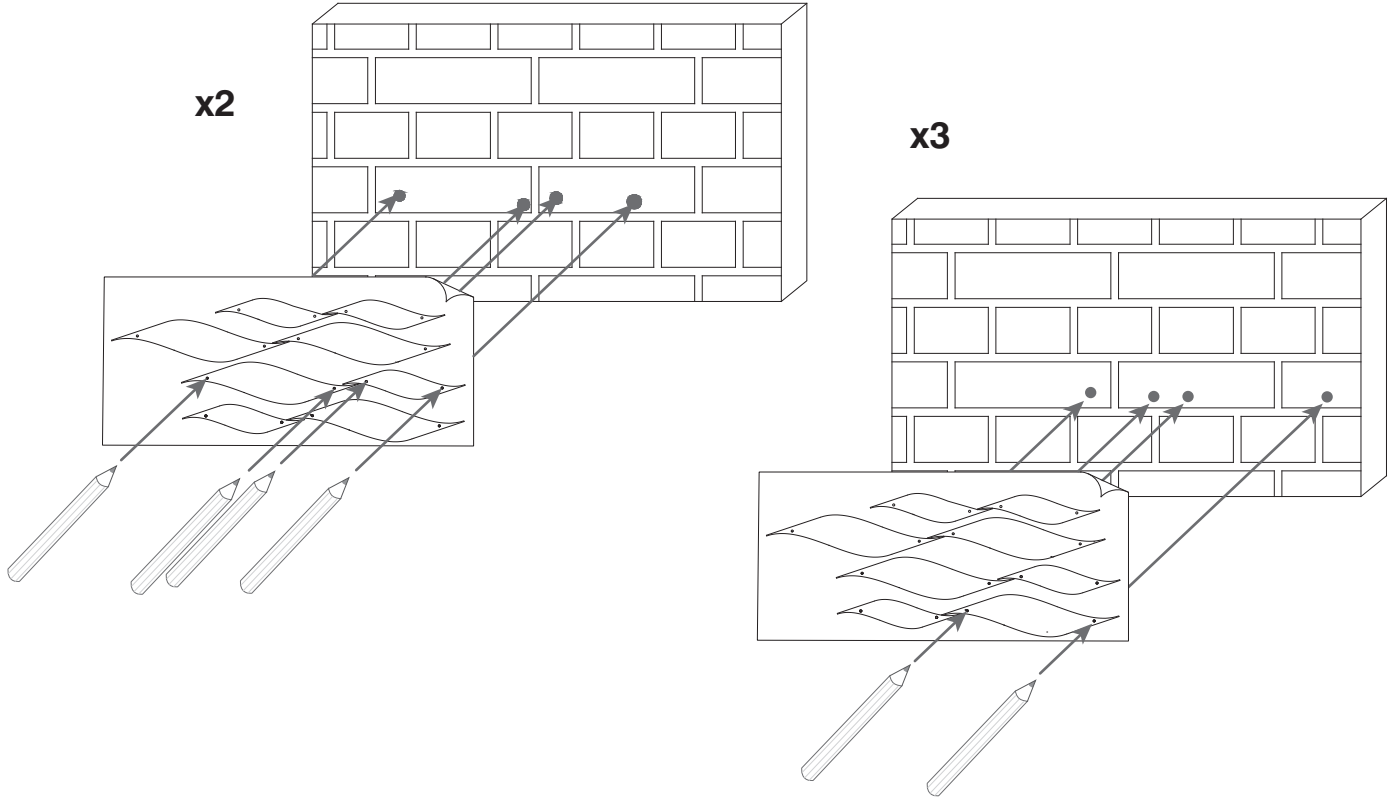


4

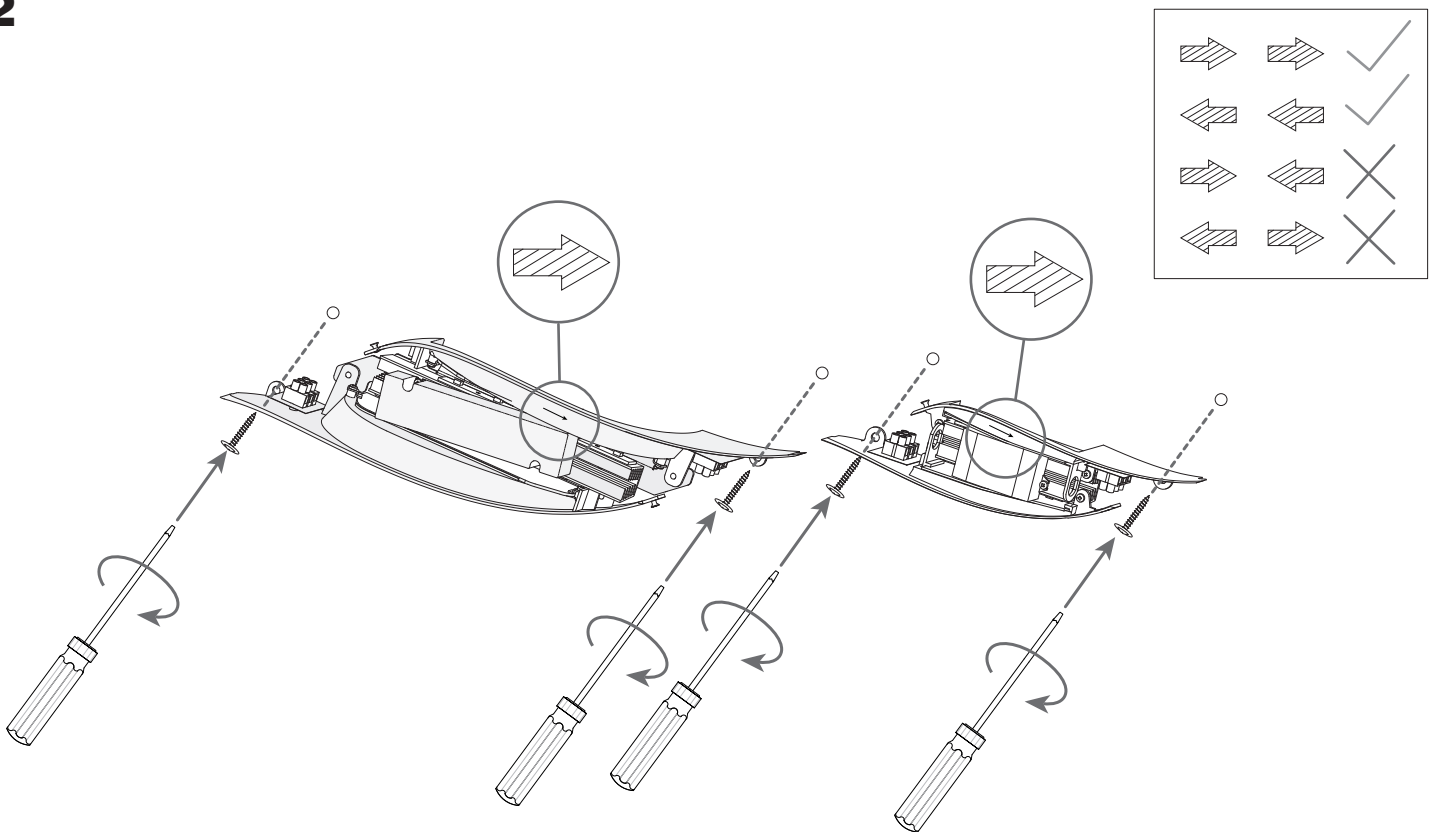


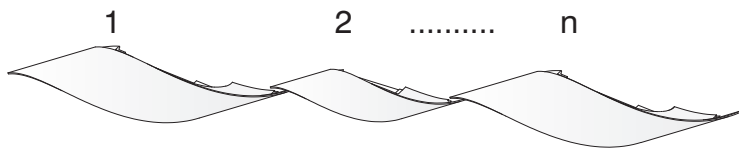


1

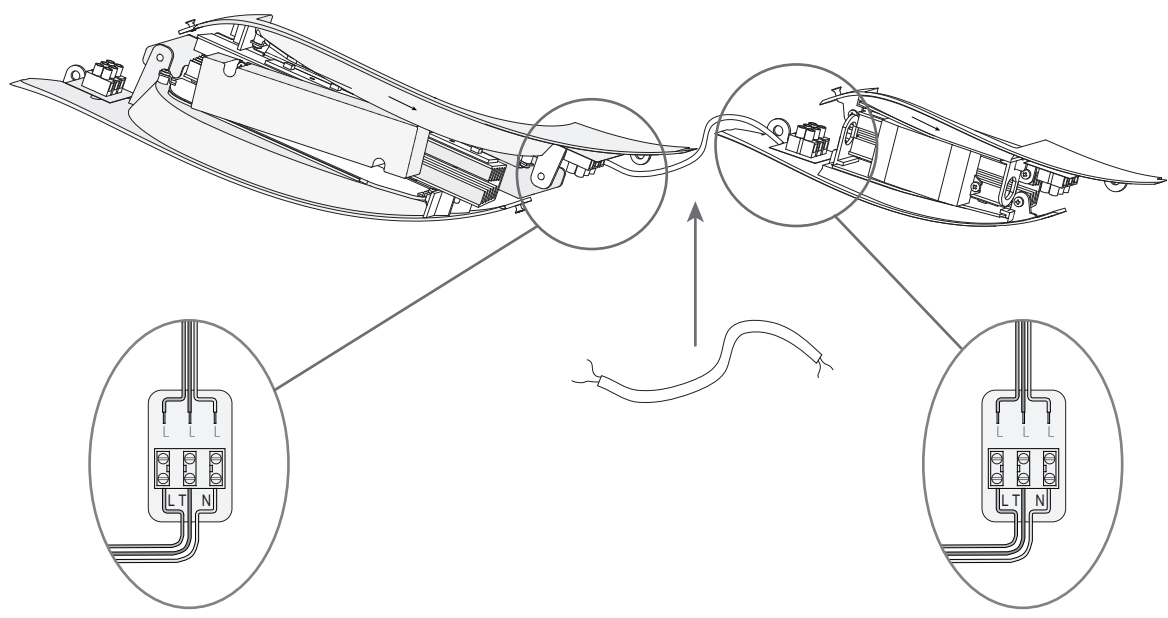


2





3



4

