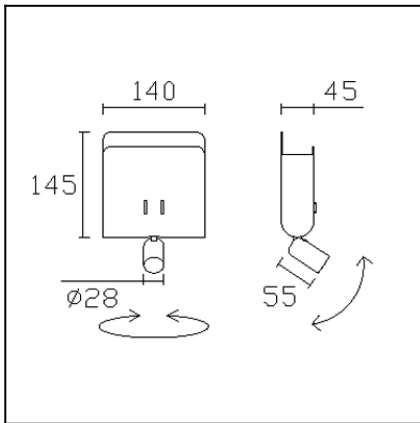


**Design by Nahtrang Design**

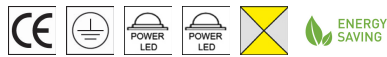

The photograph may not match the reference exactly. Please read the product description to identify the finish.



Download photometric file .ldt / .ies

**TECHNICAL CHARACTERISTICS**

Type:	Wall fixture
Adjustable 350° on the vertical axis.	
Adjustable from 0° to 90° on the horizontal axis	
IP Protection degrees:	IP20
Bulb:	1 x LED Cree. Warm White - 3000K 1 x LED Cree. Warm White - 3000K
Power (W):	9 1
Total power consumption (W):	13
Luminous efficacy (Lm/W):	62.2, 100
CRI:	82, 80
Voltage / Frequency:	100-240V/50-60Hz
Warranty (Years):	2
Option to extend the guarantee:	Yes, 5 years
Units per box:	10
Net Weight (Kg):	0.77
EAN:	8435381404772,00


**MATERIALS / FINISHES**

**Structure material:** Aluminium  
Steel

**Diffuser material:** Glass

**Structure finish:** Matt white  
Matt white

**Diffuser finish:** Partly-sandblasted

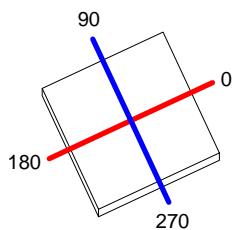
**GEAR**

Multi-voltage electronic gear included (110-240 V / 50-60 Hz)

<b>Luminaire</b>		<b>Measur.</b>		<b>Lamp</b>		
Code	05-2015-2	Code	05-2015-2	Code	LED	
Name	LED WALL LIGHT	Name	LED WALL LIGHT	Number	1	
Line	DIDO	Date	07-10-2013	Position		
Efficiency	97.44%	Coordinate system	CG	Total Flux	100.00 lm	
Maximum value	1065.55 cd	Position	C=0.00 G=2.00	Asymmetrical		
Rectangular Luminaire	Length	18 mm	Width	18 mm	Height	1 mm
Rectangular Luminous Area	Length	18 mm	Width	18 mm	Height	0 mm
Horizontal Luminous Area	0.000324 m2	Emitting area on Plane 180°		0.000000 m2		
Emitting area on Plane 0°	0.000000 m2	Emitting area on Plane 270°		0.000000 m2		
Emitting area on Plane 90°	0.000000 m2	Glare area at 76°		0.000078 m2		
Symmetry Type	Asymmetrical	Maximum Gamma Angle		90		
Measurement Distance	0.00	Measurement Flux		100.00 lm		
Operator		Source voltage				
Temperature	25.00 °C	Source current				
Humidity	60.00 %	Photocell				
Notes						

Line		Code		Luminaire Lamps		Flux [lm]	Pow. [W]	Q.ty
IESNA-1995		LED		Name XBD/WW-7C1-Q4 - 2.00 W		100.00	2.00	1
C.I.E.	92 96 98 100 97			D DIN 5040	A60			
F UTE	0.97 A			B NBN	BZ 1			

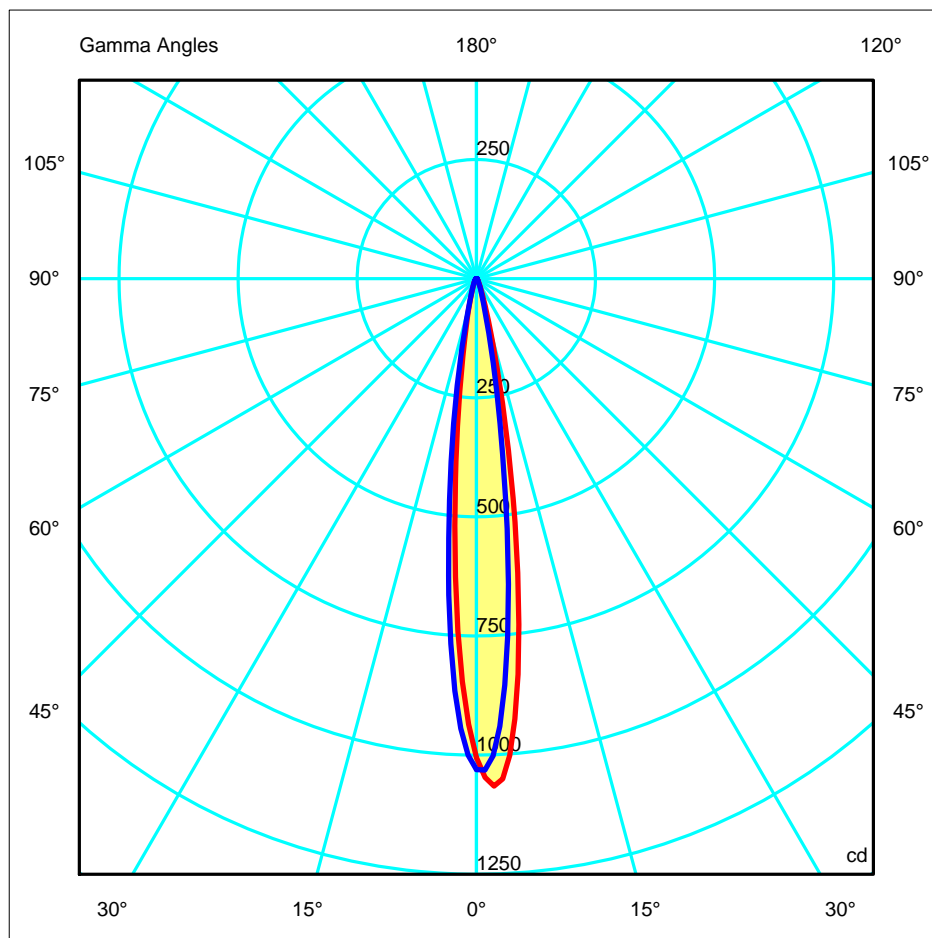
18mm x 18mm

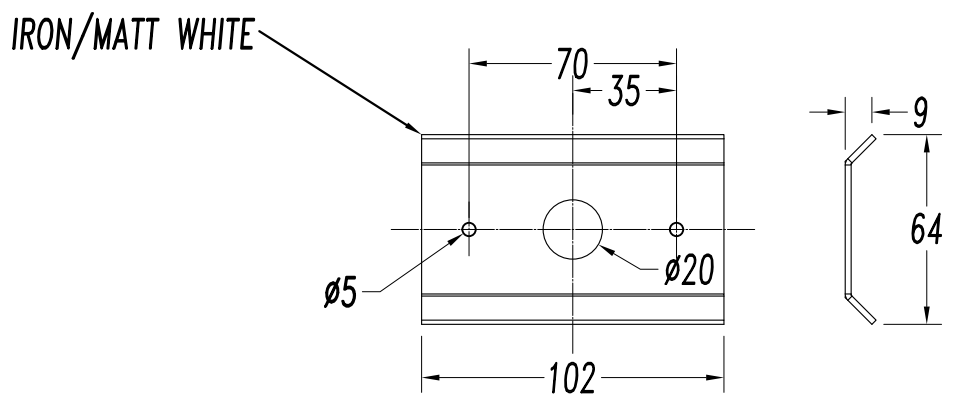
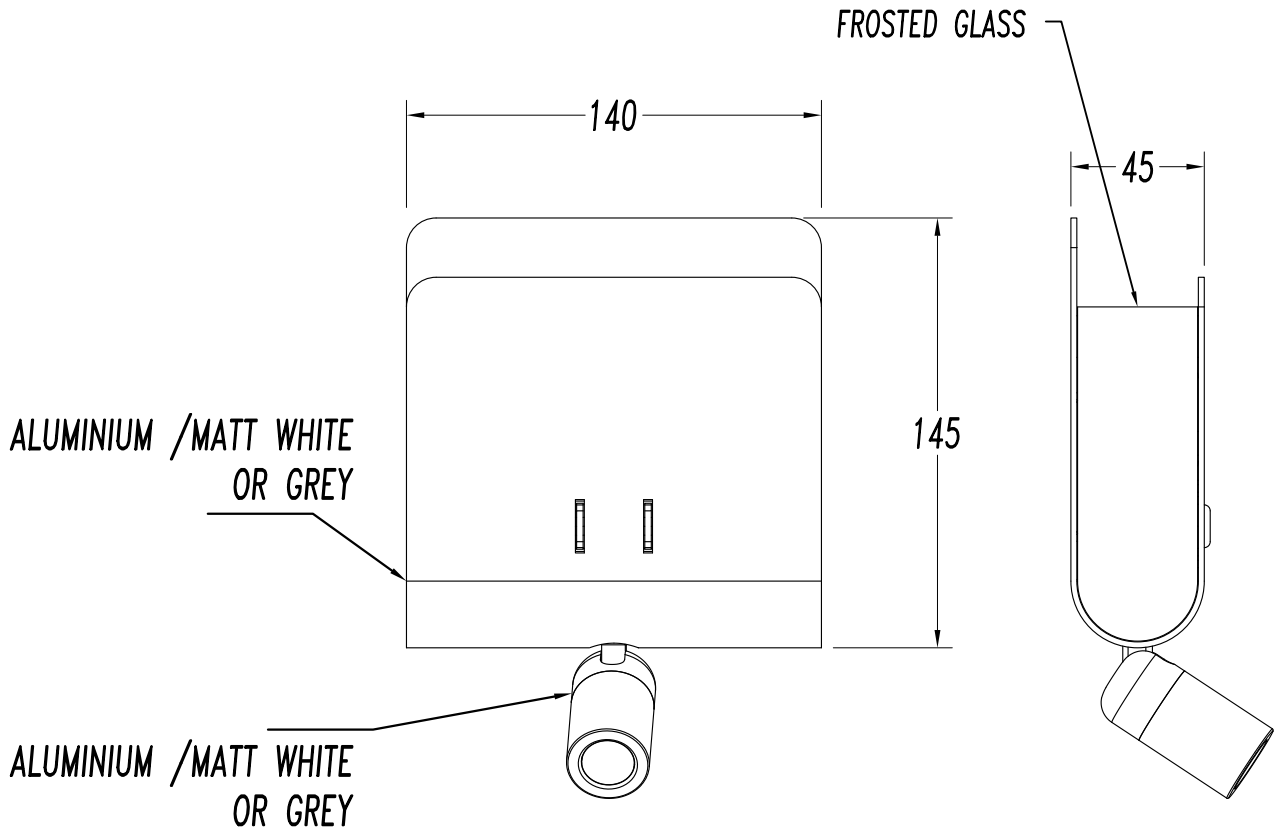


C Halfplanes

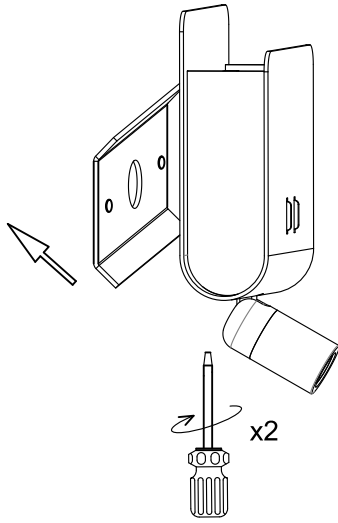
180.0 — 0.0  
270.0 — 90.0

ULOR 0.00 %  
DLOR 97.44 %  
RN 0.00 %

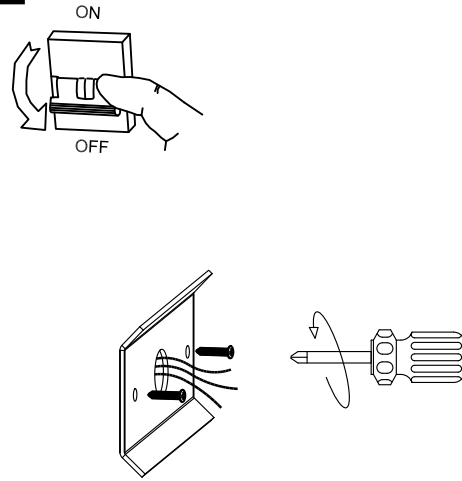




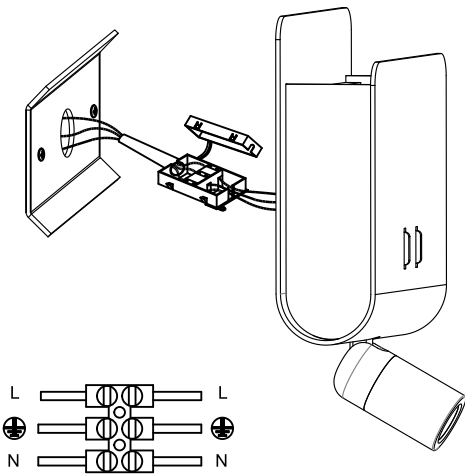
1



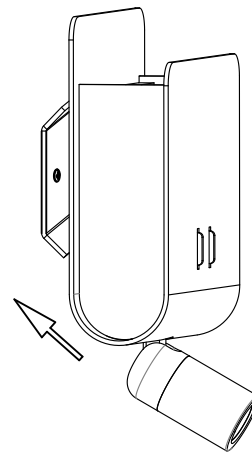
2



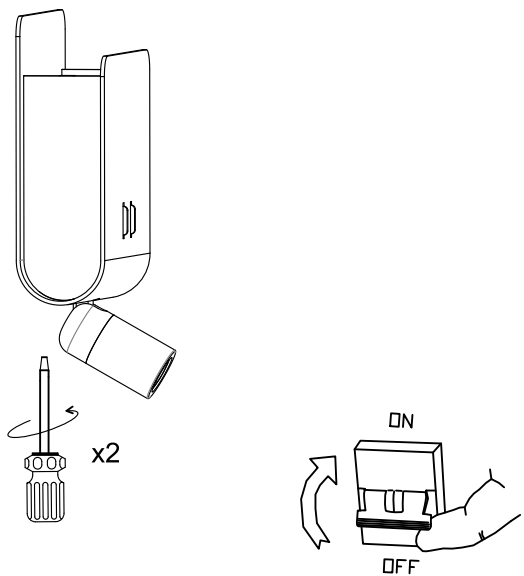
3



4



5



6

