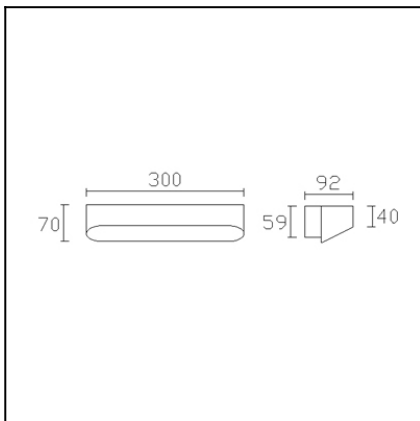




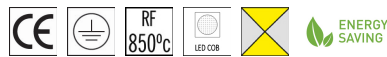
The photograph may not match the reference exactly. Please read the product description to identify the finish.



Download photometric file .ldt /.ies

TECHNICAL CHARACTERISTICS

Type:	Wall fixture
IP Protection degrees:	IP20
Bulb:	2 x LED Citizen. Warm White - 3000K
Power (W):	LED Citizen 8
Luminous efficacy (Lm/W):	102
CRI:	80
Voltage / Frequency:	100-240V/50-60Hz
Warranty (Years):	2
Option to extend the guarantee:	Yes, 5 years
Units per box:	6
Net Weight (Kg):	0.875
EAN:	8435381404949,00


MATERIALS / FINISHES

Structure material: Extruded aluminium
Steel

Structure finish: Matt white

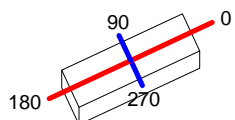
GEAR

Multi-voltage electronic gear included (110-240 V / 50-60 Hz)

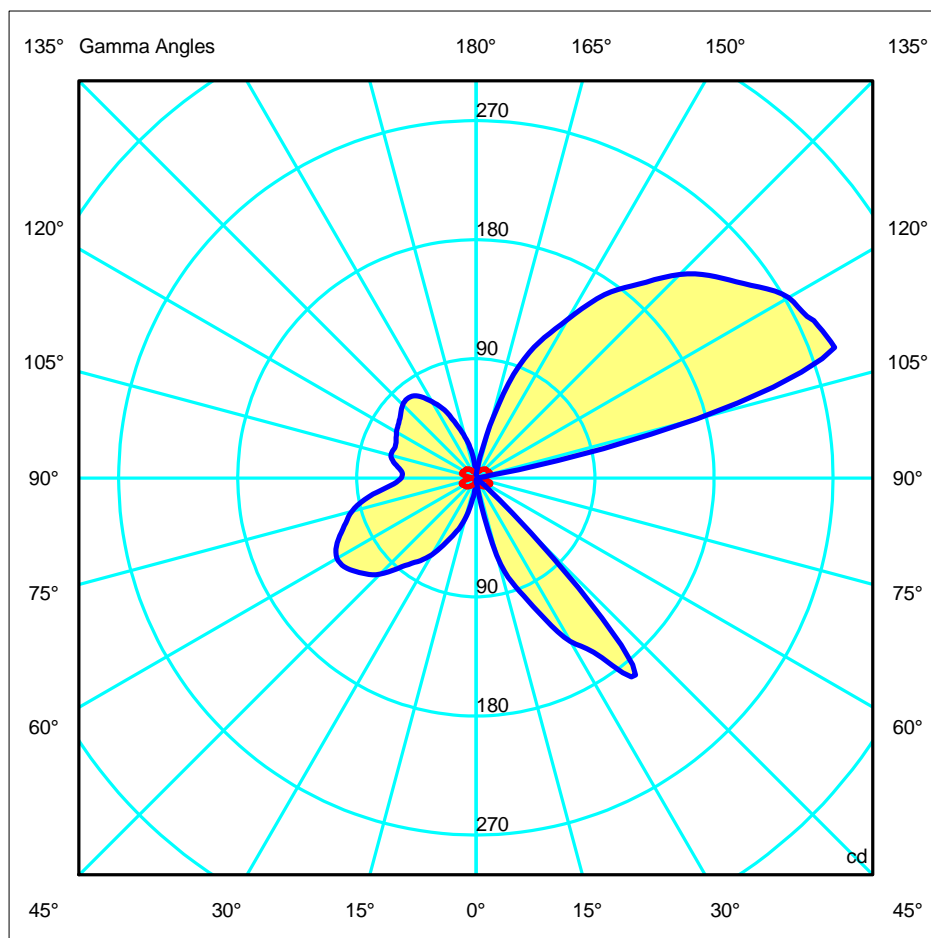
Luminaire		Measur.		Lamp		
Code	05-2019	Code	05-2019	Code	05-2019	
Name	Aplique led 8W	Name	Aplique led 8W	Number	2	
Line	Eulumdat	Date	15-02-2013	Position		
Efficiency	100.00%	Coordinate system	CG	Total Flux	764.00 lm	
Maximum value	288.54 cd	Position	C=90.00 G=110.00	Sym. on planes	270-90	
Rectangular Luminaire	Length	92 mm	Width	300 mm	Height	70 mm
Rectangular Luminous Area	Length	47 mm	Width	300 mm	Height	70 mm
Horizontal Luminous Area	0.014100 m2	Emitting area on Plane 180°	0.003290 m2			
Emitting area on Plane 0°	0.003290 m2	Emitting area on Plane 270°	0.021000 m2			
Emitting area on Plane 90°	0.021000 m2	Glare area at 76°	0.006603 m2			
Symmetry Type	Sym. on planes 270-90	Maximum Gamma Angle	180			
Measurement Distance	0.00	Measurement Flux	339.55 lm			
Operator	Asselum T2	Source voltage				
Temperature	25.00 °C	Source current				
Humidity	60.00 %	Photocell				
Notes						

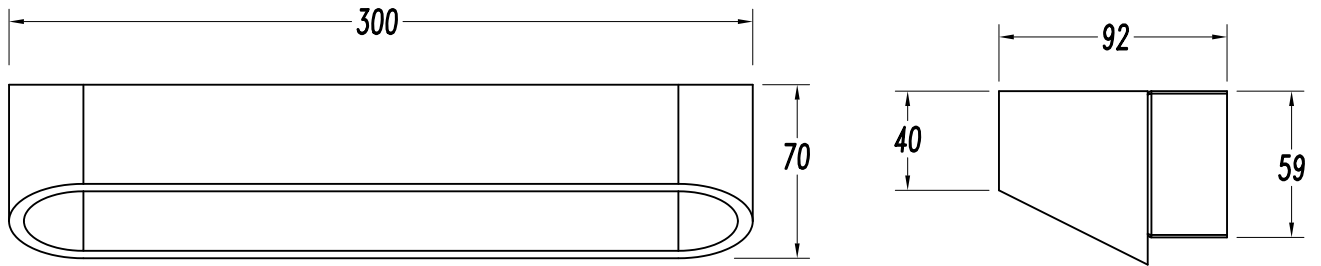
Luminaire Lamps					
Line	Code	Name	Flux [lm]	Pow. [W]	Q.ty
Eulumdat	05-2019	05-2019 - 8.00 W	382.00	8.00	2
C.I.E.	30 64 87 38 100	D DIN 5040	D12		
F UTE	0.38 I + 0.62 T	B NBN	BZ 7 / 1 / BZ 6		

92mm x 300mm

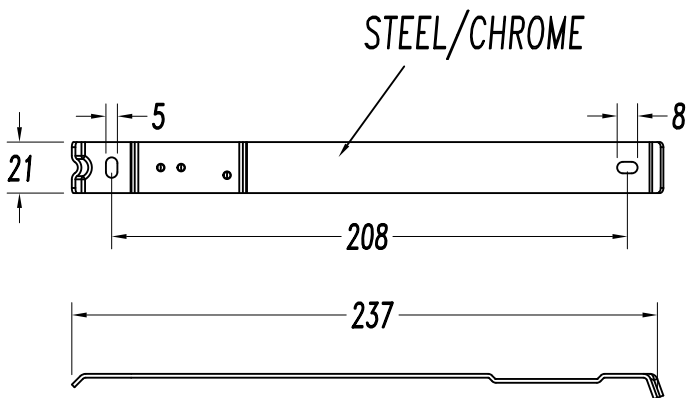
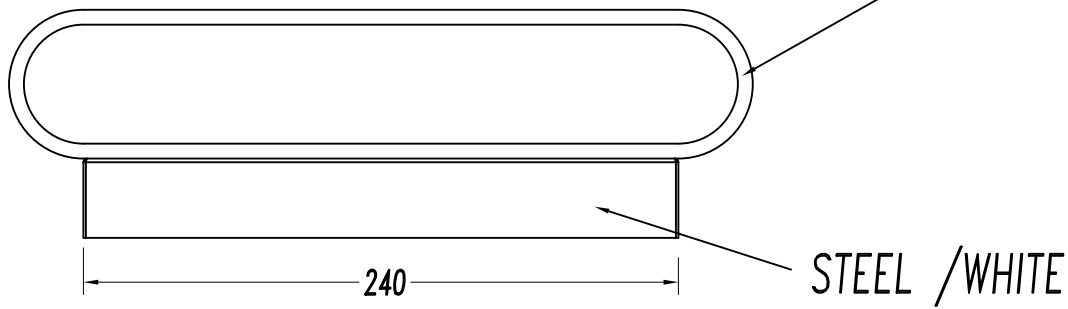


ULOR 62.15 %
DLOR 37.85 %
RN 62.15 %

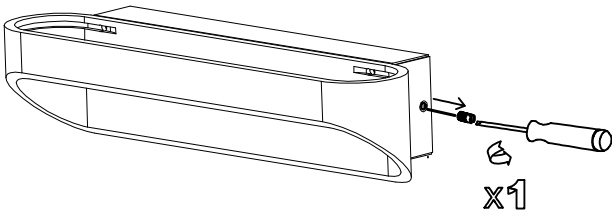




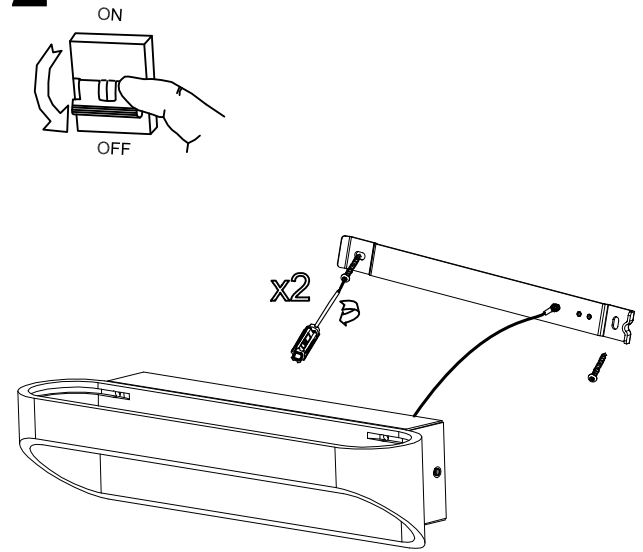
Aluminium / White or Polished Aluminium



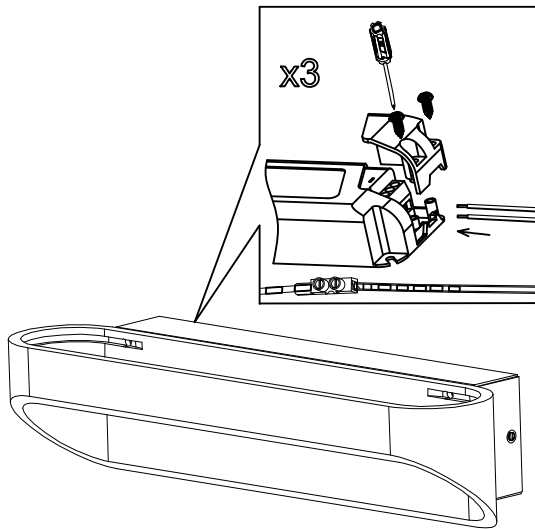
1



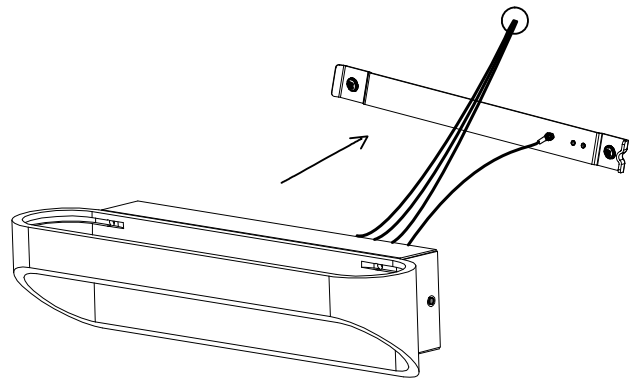
2



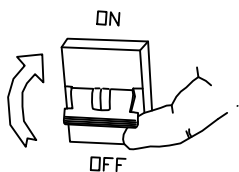
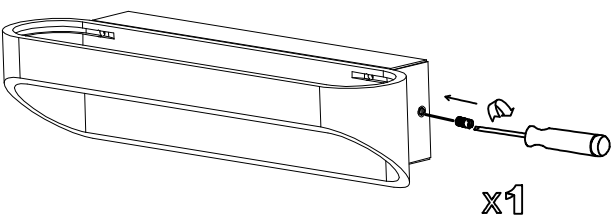
3



4



5



6

