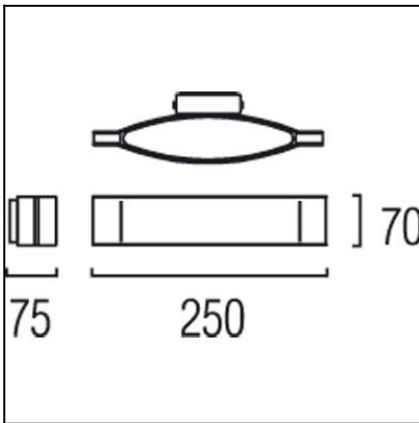


Design by Estudi Ribaudí



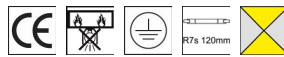
The photograph may not match the reference exactly. Please read the product description to identify the finish.



Download photometric file .ldt /.ies

TECHNICAL CHARACTERISTICS

Type:	Wall fixture
IP Protection degrees:	IP20
Lampholder:	1 x R7s
Power (W):	R7s MAX 150W
Bulb included:	1 x R7s 120W
Total power consumption (W):	150
Voltage / Frequency:	220-240V/50-60Hz
Warranty (Years):	2
Units per box:	6
Net Weight (Kg):	1.25
EAN:	8435111040836,00



MATERIALS / FINISHES

Structure material: Steel
Structure finish: Grey

Diffuser material: Glass
Diffuser finish: Sandblasted

Luminaria		Ensayo		Lámpara	
Código	05-2397-21-E9	Código	05-2397-21-E9	Código	150T3 Q/CL/CP 230V
Nombre	Aplicador 150W R7s difusor opal	Nombre	Aplicador 150W R7s difusor opal	Número	1
Familia	- LEDS-C4	Fecha	16-03-2010	Posición	
Eficiencia	57.26%	Sist. de Coorden.	C-G	Flujo Total	2400.00 lm
Valor Máximo	391.70 cd	Posición	C=0.00 G=145.00	Bisimétrico	

60mm x 270mm

Semiplanos C

 180.0 ————— 0.0
 270.0 ————— 90.0
