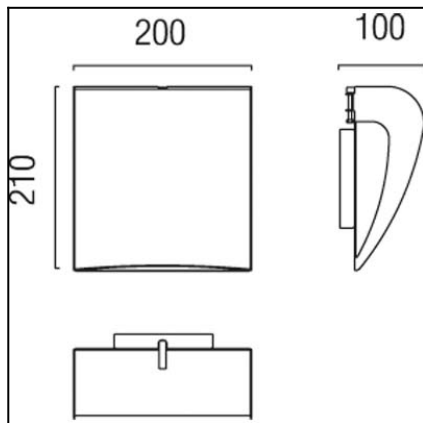


Design by Josep Patsí

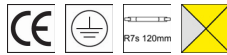


The photograph may not match the reference exactly. Please read the product description to identify the finish.



TECHNICAL CHARACTERISTICS

Type:	Wall fixture
IP Protection degrees:	IP20
Lampholder:	1 x R7s
Power (W):	R7s Max 150W
Bulb included:	1 x R7s Max 120W
Total power consumption (W):	150
Voltage / Frequency:	220-240V/50-60Hz
Warranty (Years):	2
Units per box:	1
Net Weight (Kg):	1.76
EAN:	8435111046258,00



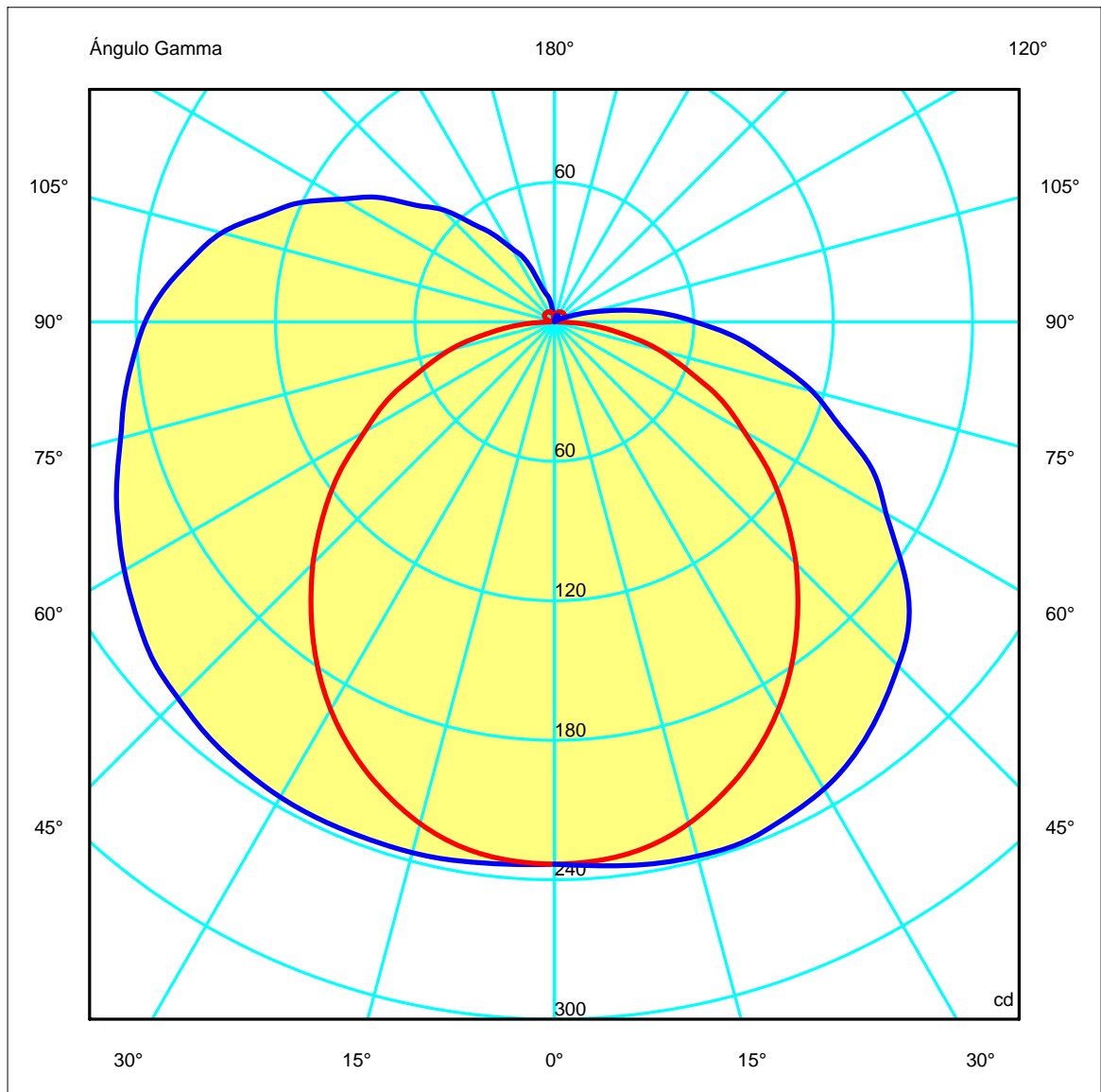
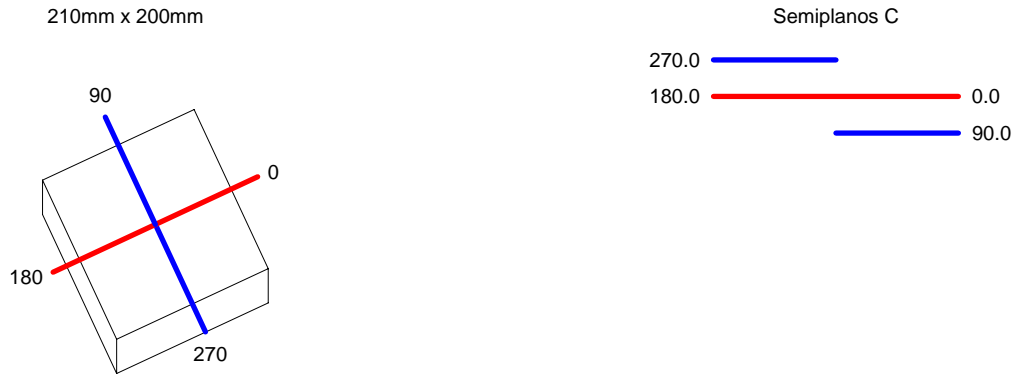
MATERIALS / FINISHES

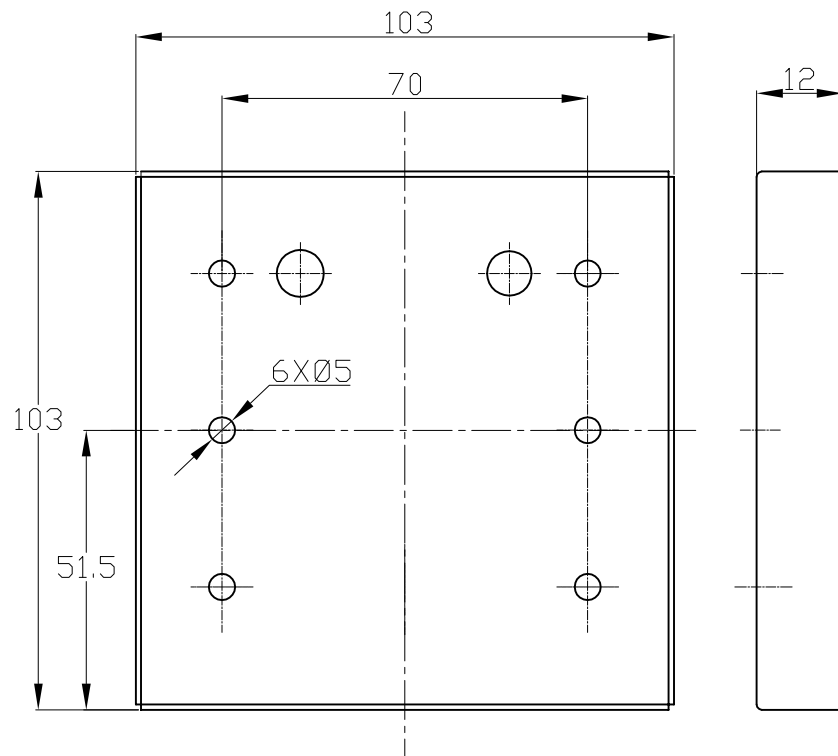
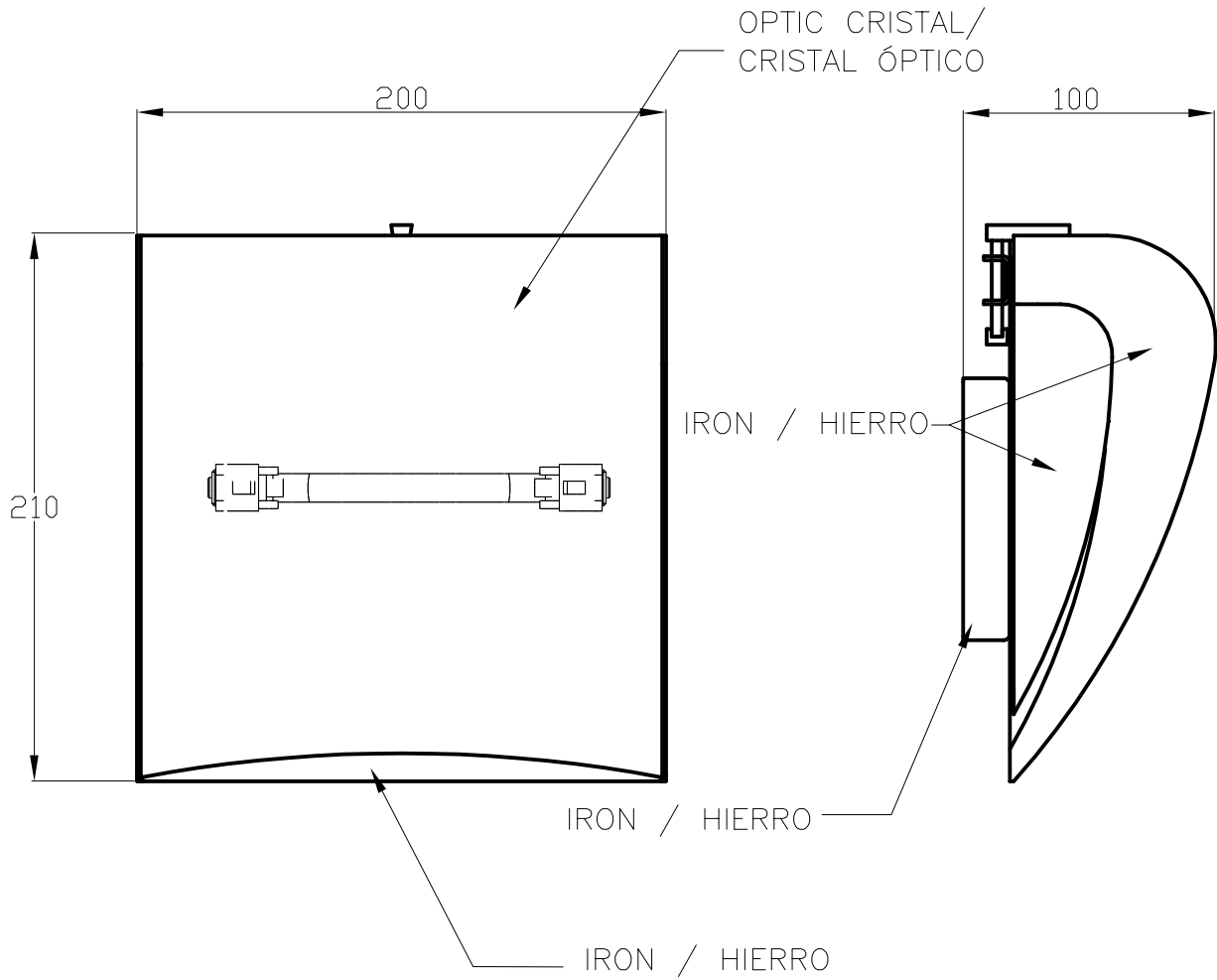
Structure material: Steel
Structure finish: Satin nickel

Diffuser material: Glass
Diffuser finish: Tinted

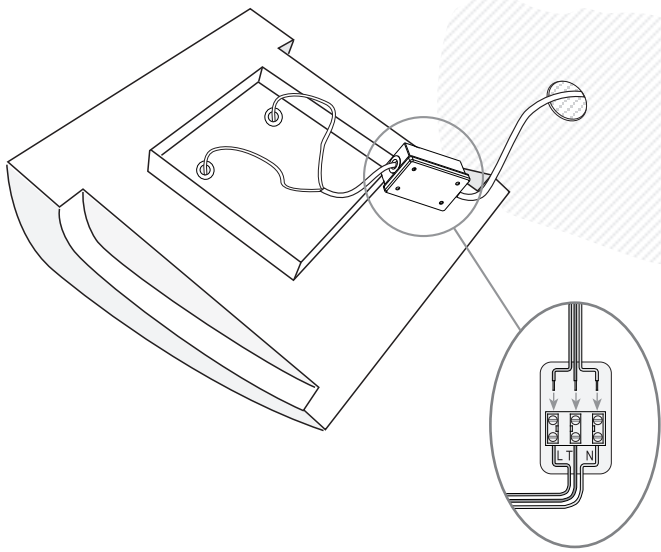
[Download photometric file .ldt / .ies](#)

Luminaria		Ensayo		Lámpara	
Código	05-2572-81-B4	Código	05-2573-81-B4	Código	64696
Nombre	Apliq. BOOMERANG 150W R7s opal	Nombre	Aplique BOOMERANG 18W G24d-2	Número	1
Familia	- LEDS-C4	Fecha	07-04-2010	Posición	Universal
Eficiencia	50.85%	Sist. de Coorden.	C-G	Flujo Total	2200.00 lm
Valor Máximo	238.10 cd	Posición	C=90.00 G=20.00	Sim. en los planos 270-90	

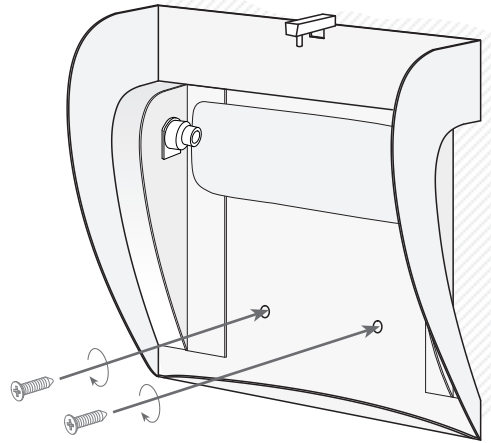




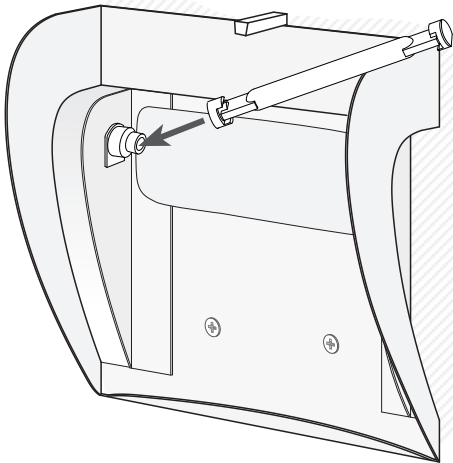
1



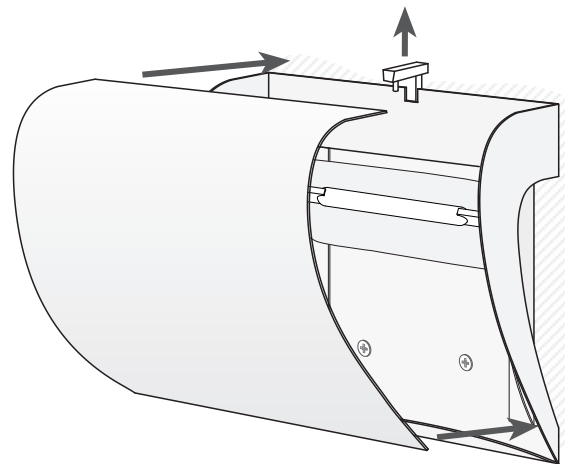
2



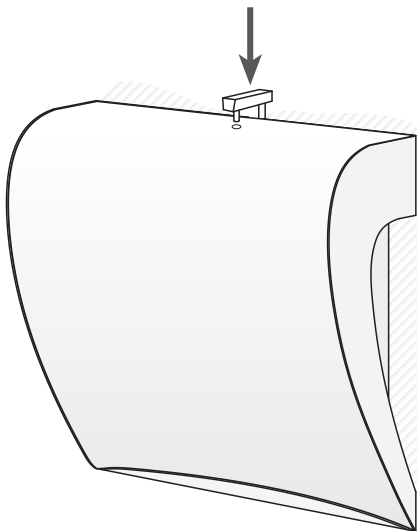
3



4



5



6

