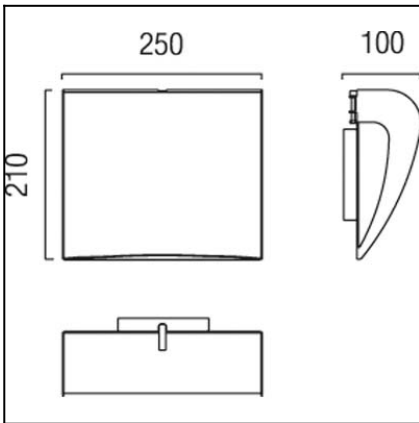


Design by Josep Patsí



The photograph may not match the reference exactly. Please read the product description to identify the finish.



### TECHNICAL CHARACTERISTICS

Type:	Wall fixture
IP Protection degrees:	IP20
Lampholder:	1 x G24d2
Power (W):	G24d2 18W
Voltage / Frequency:	220-240V/50Hz
Warranty (Years):	2
Units per box:	1
Net Weight (Kg):	2.29
EAN:	8435111046906,00



### MATERIALS / FINISHES

**Structure material:** Steel  
**Structure finish:** Satin nickel

**Diffuser material:** Glass  
**Diffuser finish:** Tinted

### GEAR

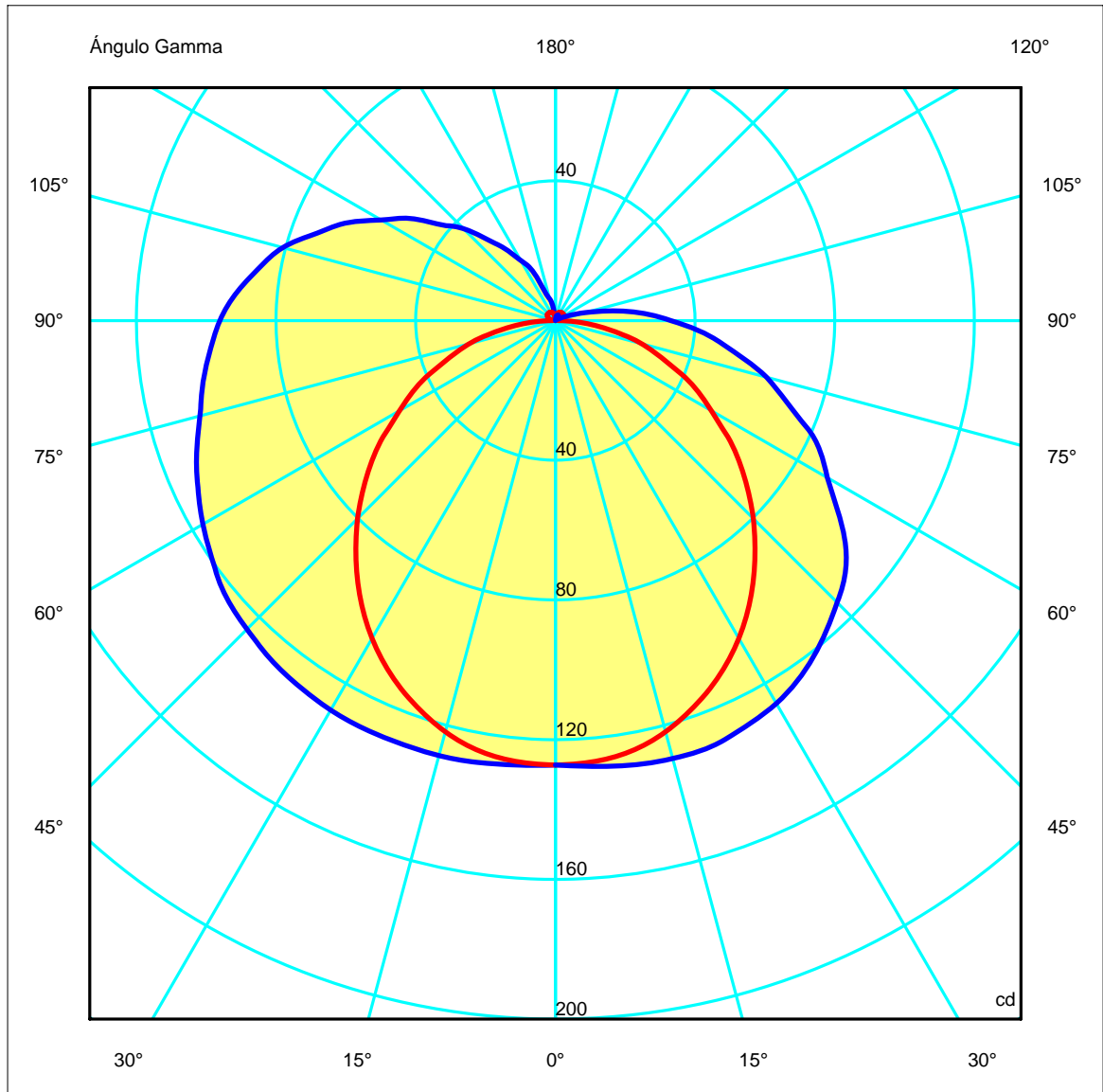
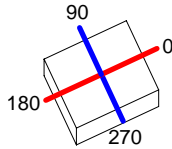
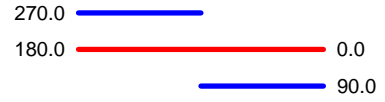
Gear included: Yes, Magnetic

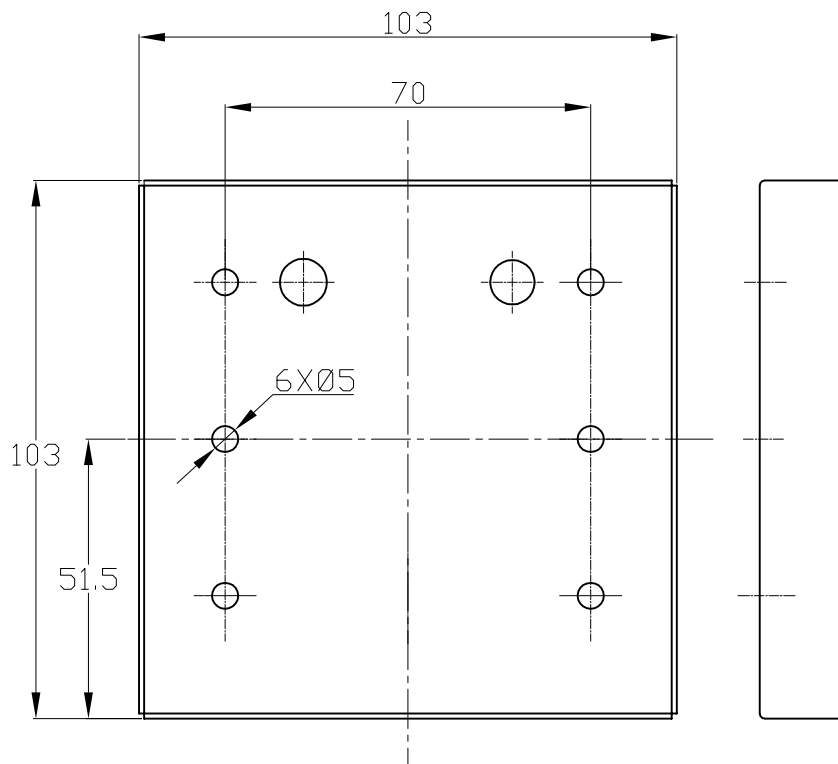
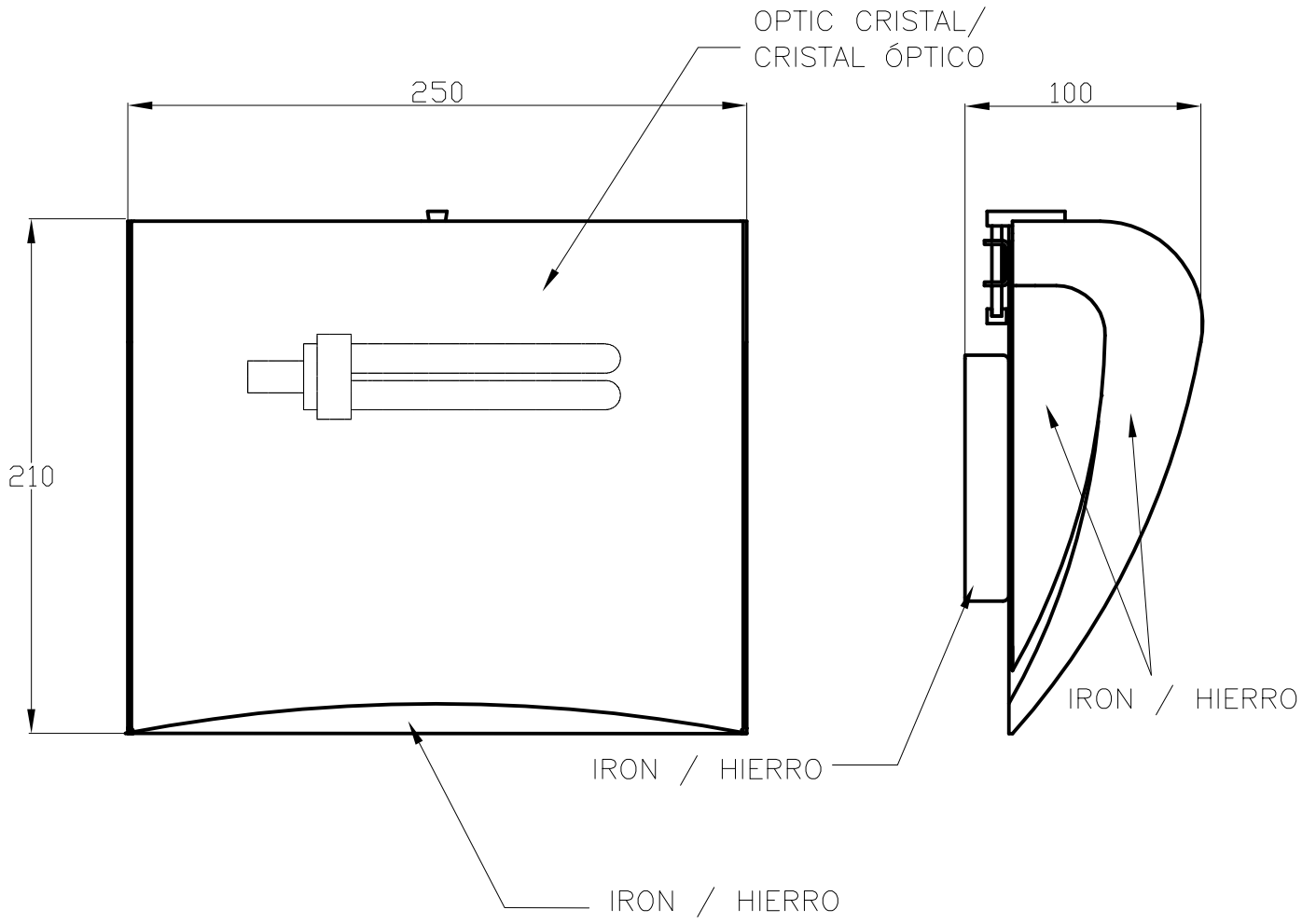
Download photometric file .ldt / .ies

<b>Luminaria</b>		<b>Ensayo</b>		<b>Lámpara</b>	
Código	05-2573-81-B4	Código	05-2573-81-B4	Código	PLC1884
Nombre	Apl. BOOMERANG 18W G24d-2 opal	Nombre/Aplique	BOOMERANG 18W G24d-2	Número	1
Familia	- LEDS-C4	Fecha	07-04-2010	Posición	Universal
Eficiencia	50.85%	Sist. de Coorden.	C-G	Flujo Total	1200.00 lm
Valor Máximo	129.88 cd	Posición	C=90.00 G=20.00	Sim. en los planos	270-90

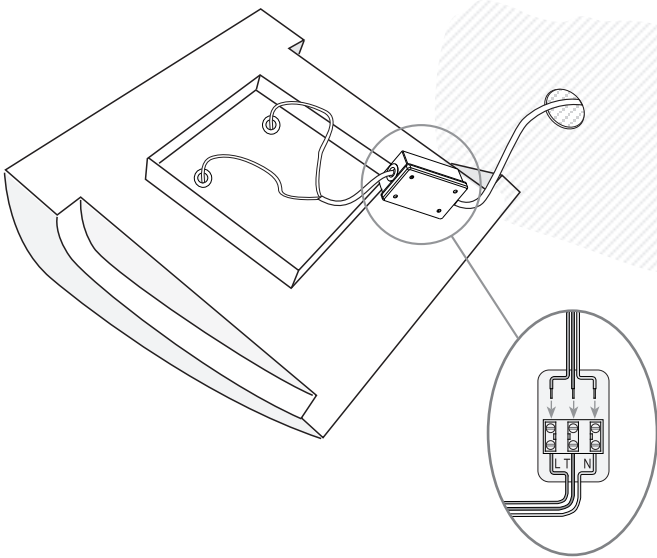
210mm x 250mm

Semiplanos C

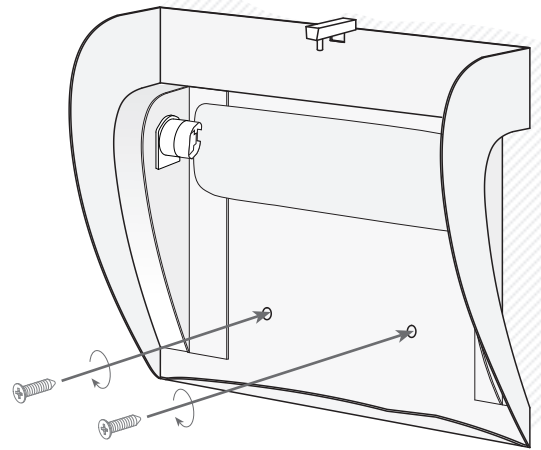




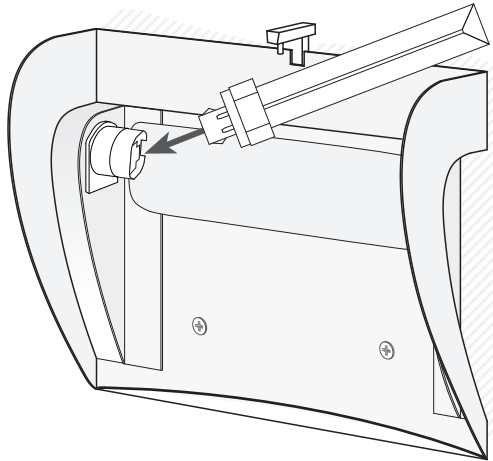
1



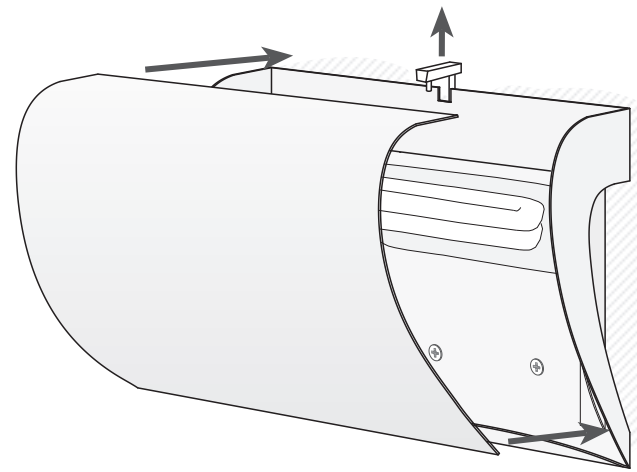
2



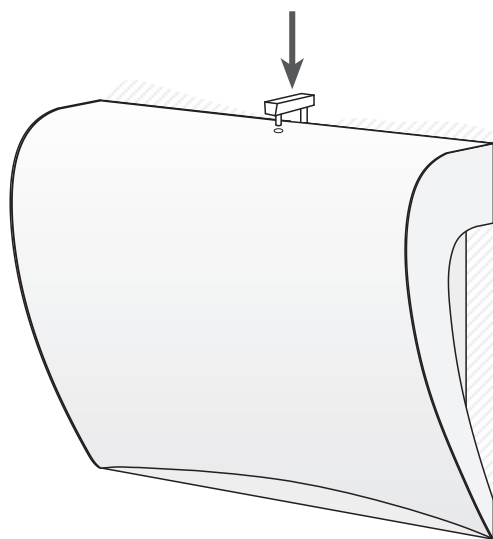
3



4



5



6

